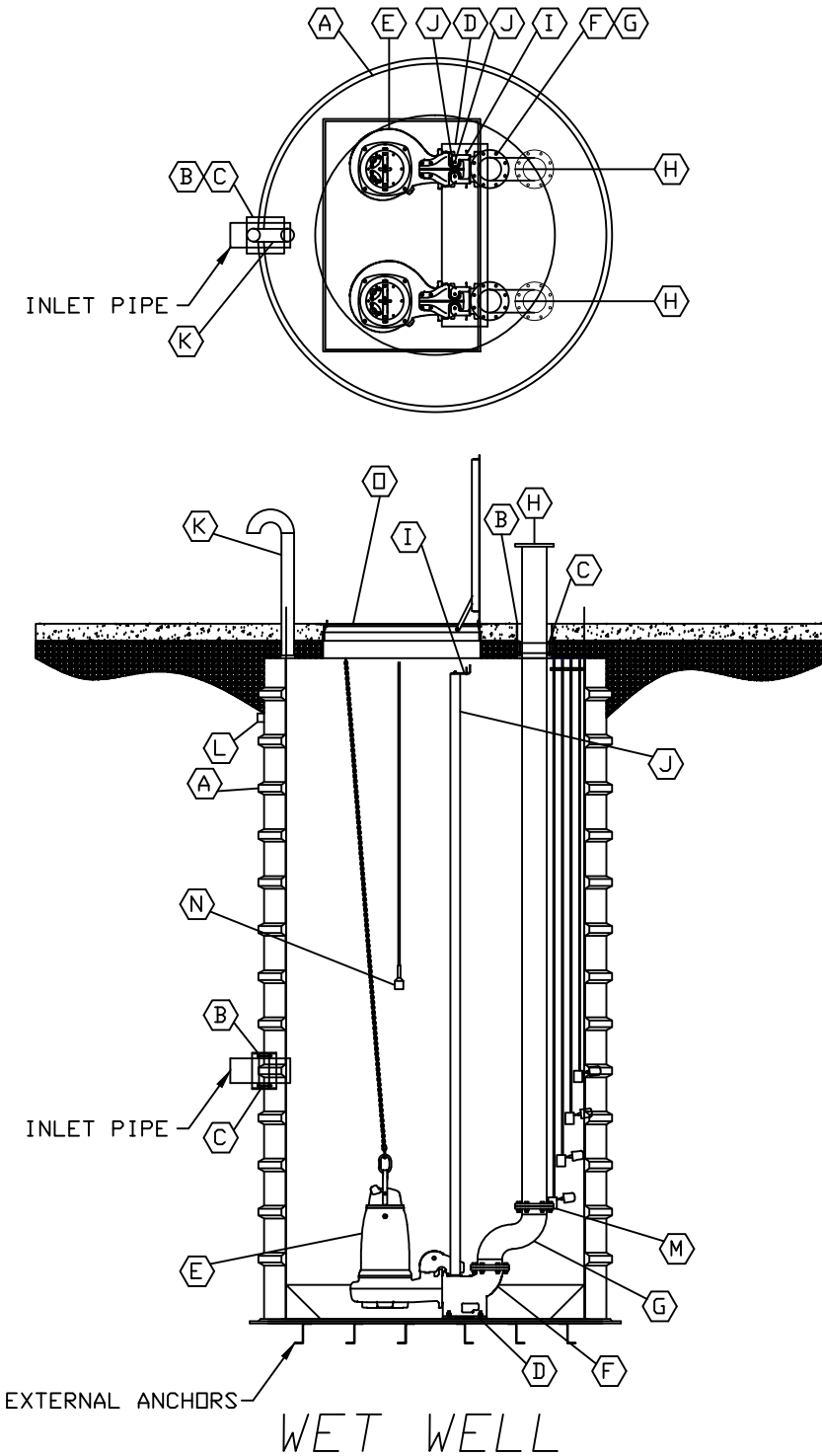


NOTE:

* 6', 8', & 10' DIAMETERS AVAILABLE.

* This drawing is for illustrative purposes only. Consult with an engineer for specific applications.



WET WELL

ITEM	QTY	DESCRIPTION
A	1	FRP WET WELL/LIFT STATION
B	3	FRP PIPE SLEEVE FOR MECHANICAL FITTING
C	3	MECHANICAL FITTING FOR INLET/OUTLET PIPING
D	1	BOLTING PLATE FOR PUMP (316 SS, 1/4" THICK)
E	2	PUMP
F	2	DISCHARGE ELBOW
G	2	DISCHARGE OFFSET
H	2	DISCHARGE PIPE
I	4	GUIDE RAIL BRACKET
J	4	GUIDE RAIL
K	1	FRP NPT WITH PVC VENT PIPE WITH GOOSE-NECK AND SCREEN
L	3	FRP COUPLING (FOR CONDUIT)
M	4	FLOAT
N	1	ULTRASONIC TRANSDUCER
O	1	ALUMINUM HATCH

TITLE
**FIBERGLASS WET WELL
 & VALVE VAULT PACKAGE**



- FEATURES •
- ALUMINUM COVER 300 PSF OR H-20 LOAD RATING
 - FLAT TOP
 - FLAT BOTTOM
 - BENCHING/FILLET
 - EXTERNAL ANCHORS

DATE 8-04

DR. NO.