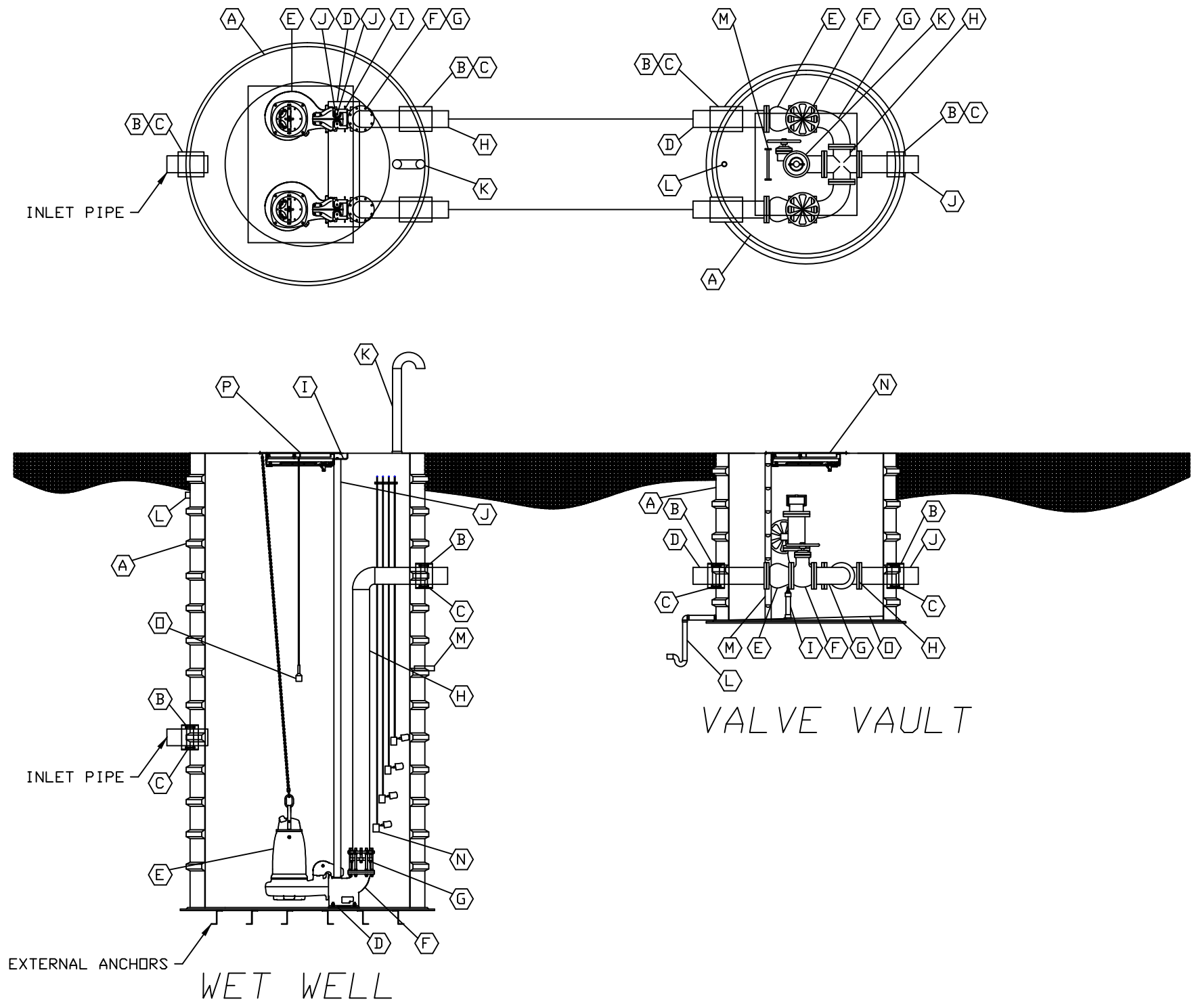


NOTE:

- 6', 8', 10' & 12' DIAMETERS AVAILABLE.
- This drawing is for illustrative purposes only. Consult with an engineer for specific applications.



WET WELL

ITEM	QTY	DESCRIPTION
A	1	FRP WET WELL/LIFT STATION
B	3	FRP PIPE SLEEVE FOR MECHANICAL FITTING
C	3	MECHANICAL FITTING FOR INLET/OUTLET PIPING
D	1	BOLTING PLATE FOR PUMP (316 SS, 1/4" THICK)
E	2	PUMP
F	2	DISCHARGE ELBOW
G	2	COUPLING FOR DISCHARGE PIPING
H	2	DISCHARGE PIPE
I	4	GUIDE RAIL BRACKET
J	4	GUIDE RAIL
K	1	FRP NPT WITH PVC VENT PIPE WITH GOOSE-NECK AND SCREEN
L	3	FRP COUPLING (FOR CONDUIT)
M	1	FRP PIPE (DRAIN INLET FROM VALVE VAULT)
N	4	FLOAT
O	1	ULTRASONIC TRANSDUCER
P	1	ALUMINUM HATCH

VALVE VAULT

ITEM	QTY	DESCRIPTION
A	1	FRP VALVE VAULT
B	3	FRP PIPE SLEEVE FOR MECHANICAL FITTING
C	3	MECHANICAL FITTING FOR INLET/OUTLET PIPING
D	2	INLET PIPE
E	2	CHECK VALVE
F	2	PLUG VALVE
G	2	90° ELBOW
H	1	CROSS
I	2	PIPE STAND SUPPORT
J	1	DISCHARGE PIPE
K	1	EMERGENCY PUMP OUT CONNECTION
L	1	DRAIN LINE
M	1	ALUMINUM LADDER
N	1	ALUMINUM HATCH
O	1	SLOPE BOTTOM

TITLE
FIBERGLASS WET WELL & VALVE VAULT PACKAGE



- FEATURES • ALUMINUM COVER 300 PSF OR H-20 LOAD RATING
- FIBERGLASS TOP
 - FLAT BOTTOM
 - EXTERNAL ANCHORS

DATE 8-04 DR. NO.