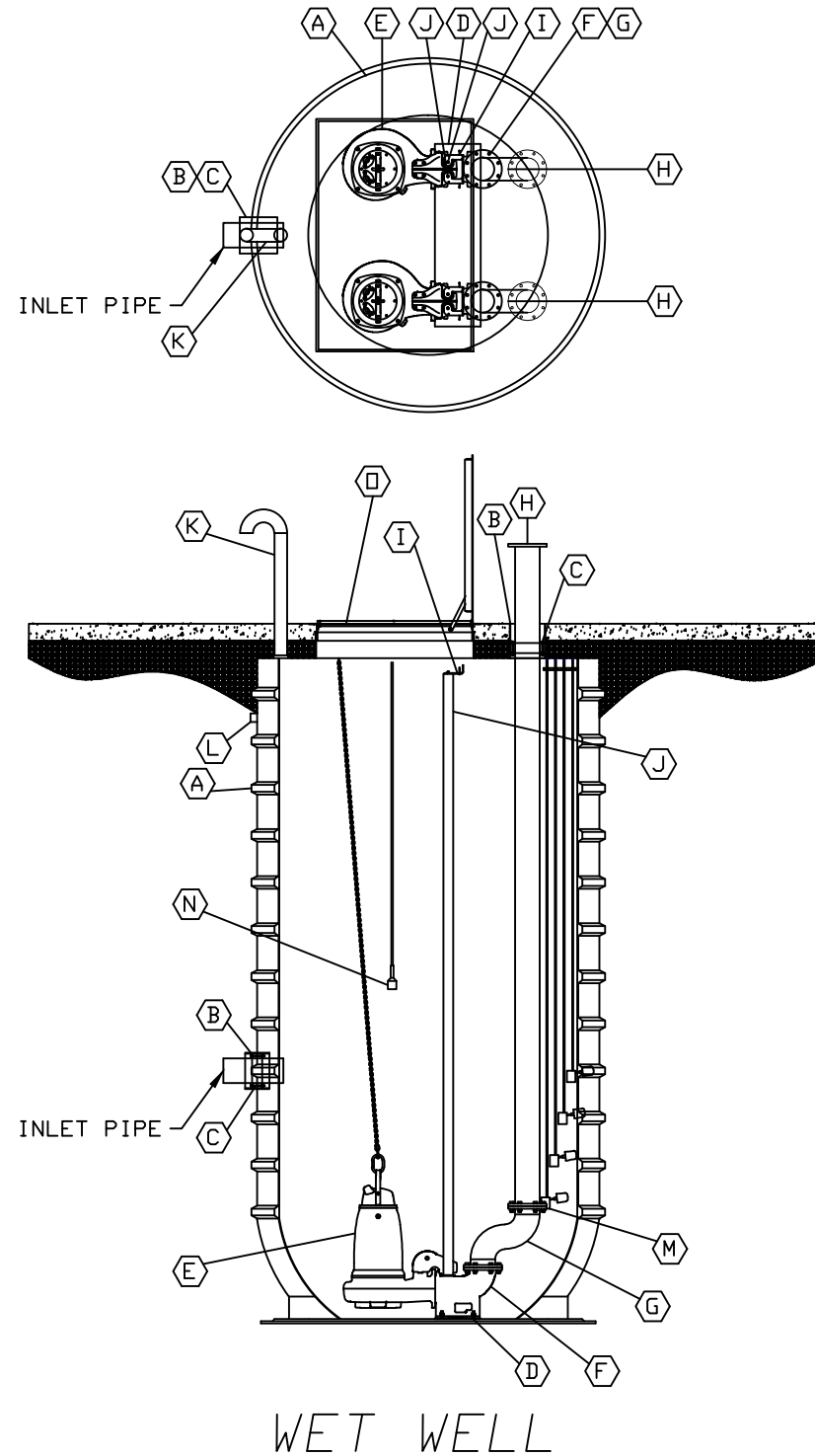


NOTE:

* 6', 8', & 10' DIAMETERS AVAILABLE.

* This drawing is for illustrative purposes only.
Consult with an engineer for specific applications.



WET WELL

ITEM	QTY	DESCRIPTION
A	1	FRP WET WELL/LIFT STATION
B	3	FRP PIPE SLEEVE FOR MECHANICAL FITTING
C	3	MECHANICAL FITTING FOR INLET/OUTLET PIPING
D	1	BOLTING PLATE FOR PUMP (316 SS, 1/4" THICK)
E	2	PUMP
F	2	DISCHARGE ELBOW
G	2	DISCHARGE OFFSET
H	2	DISCHARGE PIPE
I	4	GUIDE RAIL BRACKET
J	4	GUIDE RAIL
K	1	FRP NPT WITH PVC VENT PIPE WITH GOOSE-NECK AND SCREEN
L	3	FRP COUPLING (FOR CONDUIT)
M	4	FLOAT
N	1	ULTRASONIC TRANSDUCER
O	1	ALUMINUM HATCH

TITLE
**FIBERGLASS WET WELL
& VALVE VAULT PACKAGE**



FEATURES • ALUMINUM COVER 300 PSF OR
H-20 LOAD RATING
• FLAT TOP
• TRUNCATED BOTTOM

DATE 8-04 DR. NO. S20-751-01