

FRP Alignment Ring

Installation Instructions



Before You Begin

You will need the following:

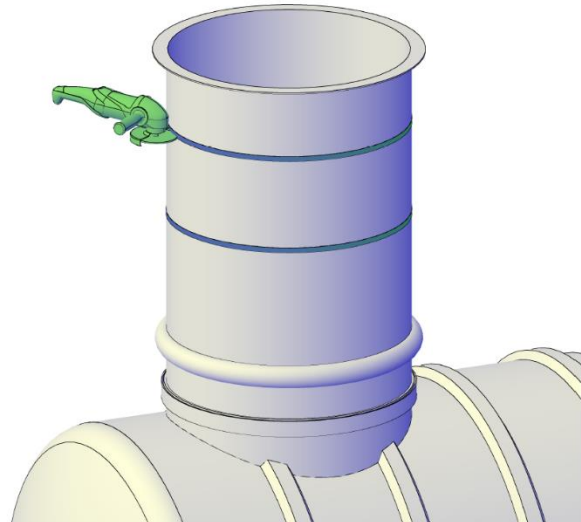
- tape measure
- tape (painter's tape is recommended)
- saw/cutting tool (angle grinder with a cut off wheel is recommended)
- clamps
- any safety gear you think is necessary (safety glasses, gloves, hard hat, etc...)

Fiberglass Tank Solutions (FTS) will provide:

- two-part epoxy
- tongue depressor
- 4" tall FRP alignment ring

Step 1

Measure on the existing riser pipe the section of pipe that you would like to remove. Tape around this section of the pipe ensuring that the tape lines are level all the way around.

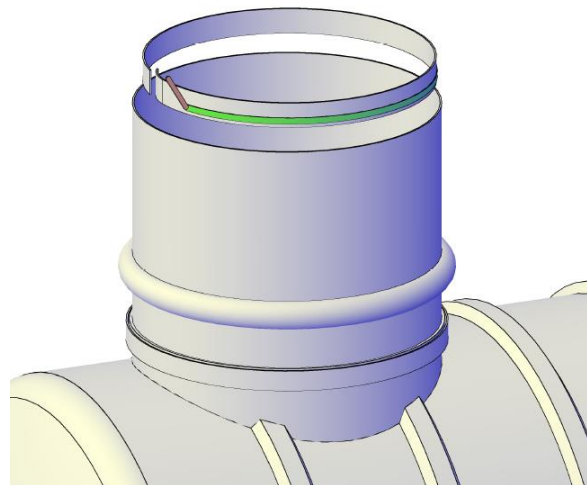


Step 2

Using the tape as a guide, carefully cut the pipe.

Step 3

Grind the interior of the two cuts and the alignment ring to create a rough surface for the epoxy to adhere to.



Step 4

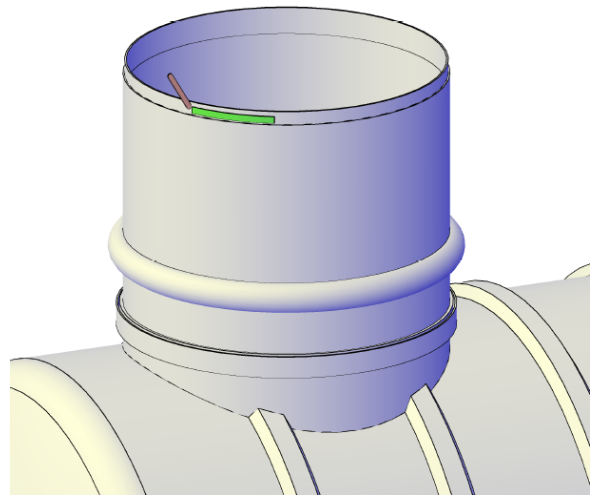
Mix the two-part epoxy together. Using the tongue depressor apply the epoxy to the bottom half of the alignment ring. Evenly spread the epoxy to create a proper bond.

Mailing: P.O. Box 326
Montreal, MO 65591
MFG: 147 Opportunity Rd.
Camdenton, MO 65020

www.fgtsolutions.com
Phone: 573-317-9620

Step 5

Gently place the alignment ring inside the bottom half of the riser so that the top 2" of the alignment ring is still exposed.

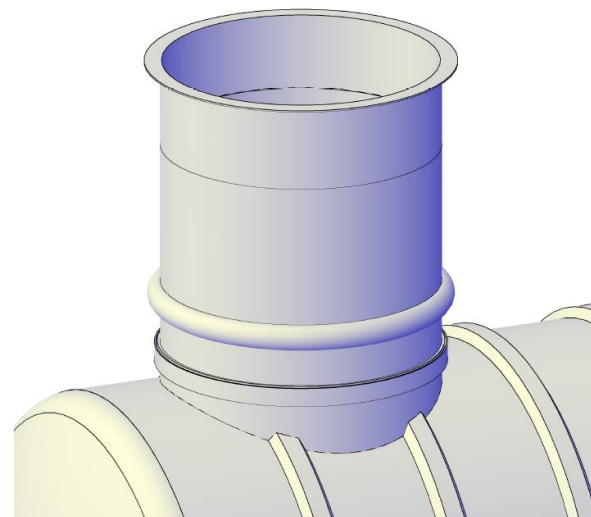


Step 6

Clamp the alignment ring to the bottom half of the riser in multiple places. With the tongue depressor smooth out the excess epoxy around the bond. Allow the epoxy to cure for a minimum of 15 minutes before removing the clamps.

Step 7

Using the tongue depressor apply the epoxy to the top half of the alignment ring. Evenly spread the epoxy around the entire surface to create a watertight bond.



Step 8

Gently slide the top half of the riser pipe over the alignment ring. With the tongue depressor smooth out the excess epoxy around the bond.

For additional help and questions contact:

Kyle Cribb

Phone: (573) 216-9925

Email: kyle@fgtsolutions.com

Mailing: P.O. Box 326
Montreal, MO 65591
MFG: 147 Opportunity Rd.
Camdenton, MO 65020

www.fgtsolutions.com
Phone: 573-317-9620