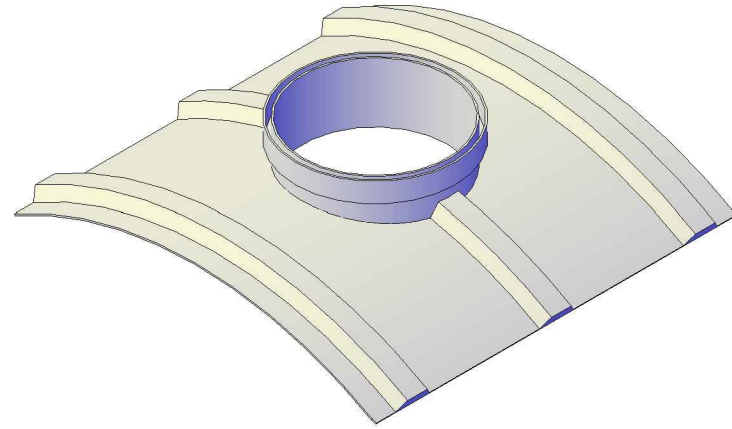
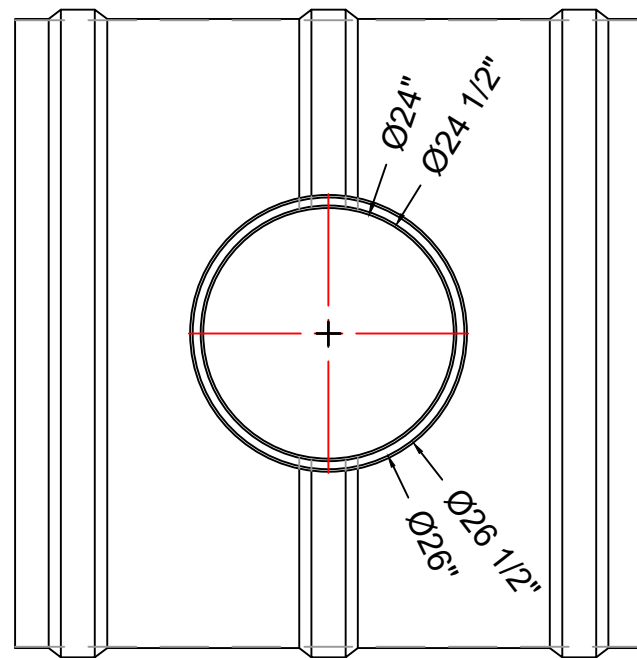


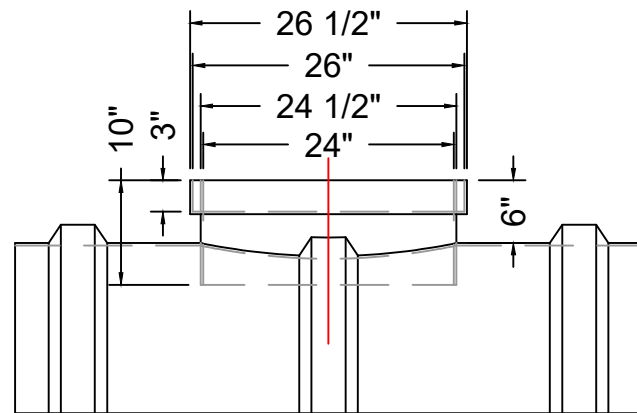
**Ø24" ACCESS OPENING
W/ EPOXY SOCKET TO
FIT FRP RISERS**



ISOMETRIC VIEW

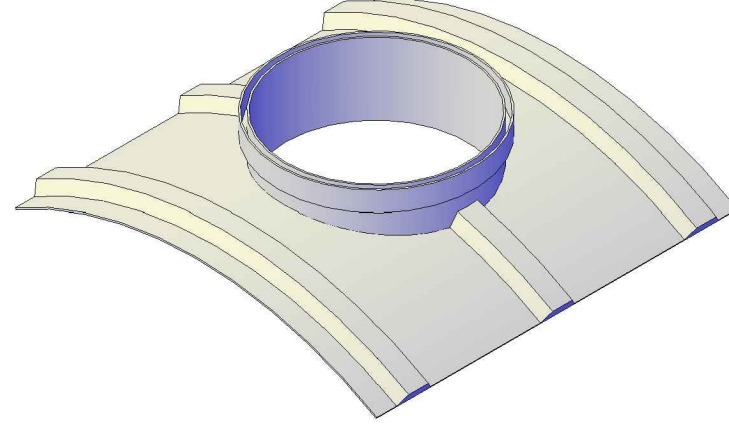


TOP VIEW

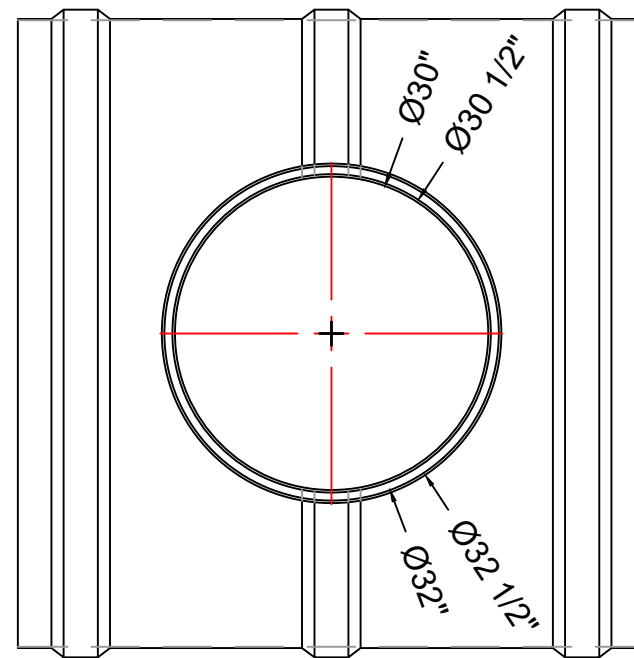


FRONT VIEW

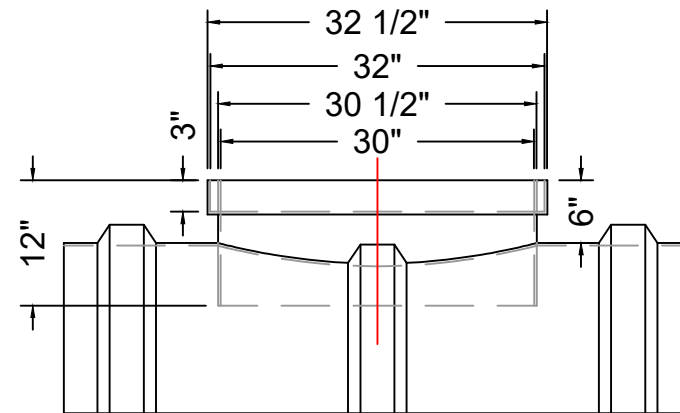
**Ø30" ACCESS OPENING
W/ EPOXY SOCKET TO
FIT FRP RISERS**



ISOMETRIC VIEW

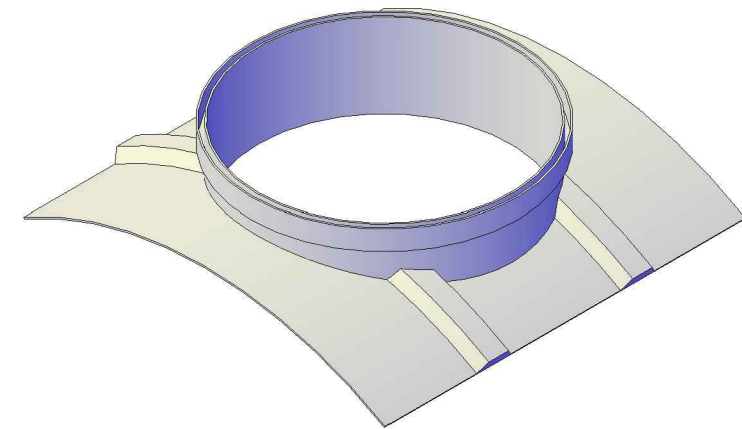


TOP VIEW

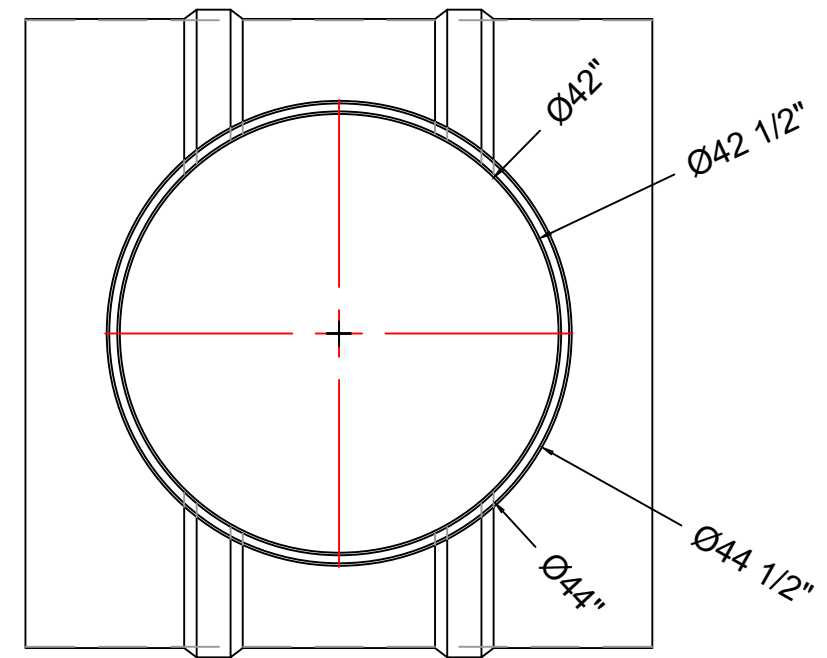


FRONT VIEW

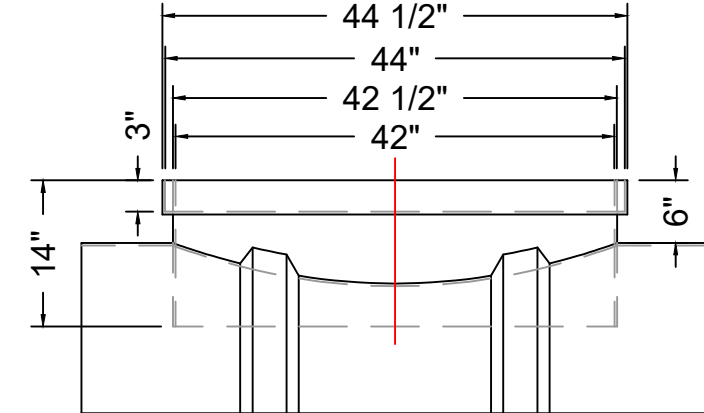
**Ø42" ACCESS OPENING
W/ EPOXY SOCKET TO
FIT FRP RISERS**



ISOMETRIC VIEW



TOP VIEW



FRONT VIEW

SHEET TITLE:
**ACCESS OPENINGS
W/ EPOXY SOCKET
FOR FRP RISERS**

DRAWN DATE: 11/12/20 DRAWN BY: JACK REV. 00



Mailing: P.O. BOX 326, Montreal, MO 65591
MFG: 147 Camdenton Bus. Prk. Dr.,
Camdenton, MO 65020
P: 573-317-9620