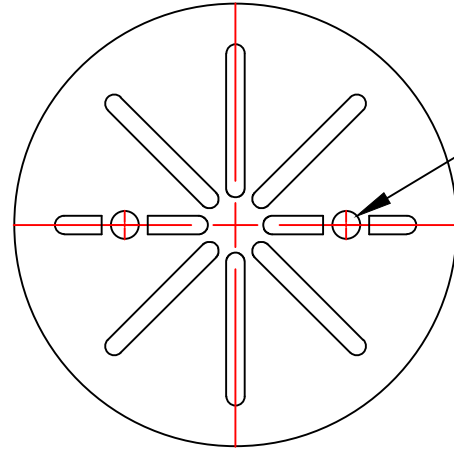
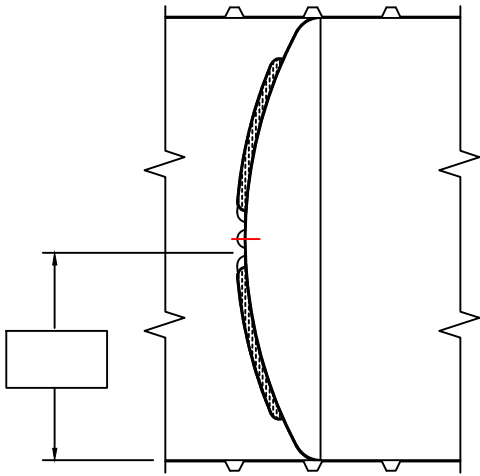


# ASME DOME BAFFLE WALLS

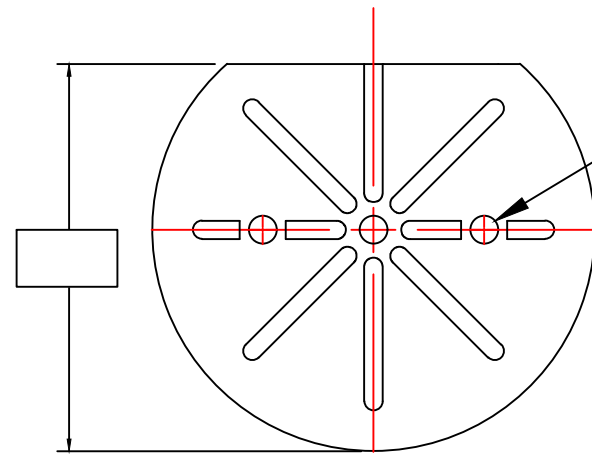
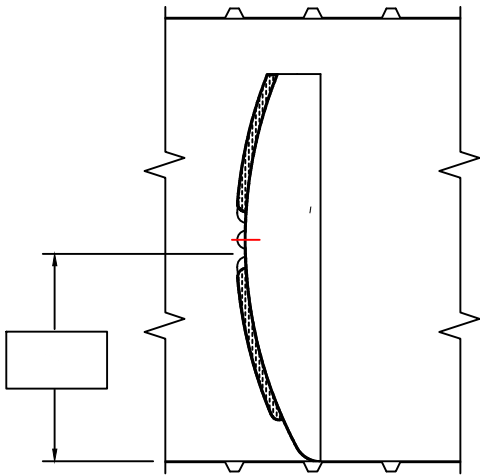
CROSSOVER  
INVERT IF  
APPLICABLE



FLOW THROUGH HOLES

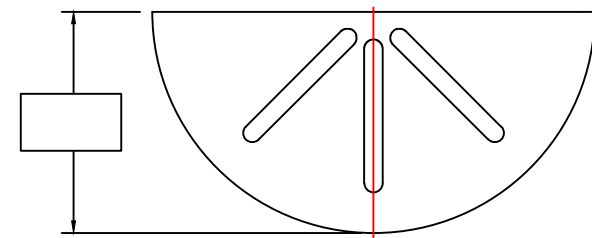
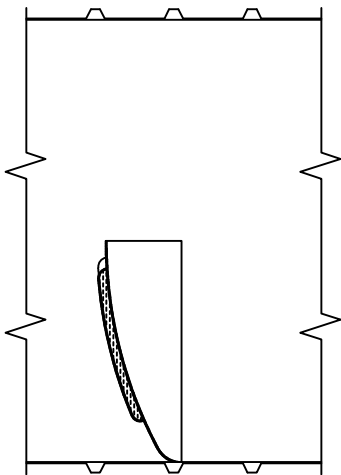
FULL ASME DOME BAFFLE

CROSSOVER  
INVERT IF  
APPLICABLE



FLOW THROUGH HOLES

7/8 ASME DOME BAFFLE



1/2 ASME DOME BAFFLE

BAFFLE CROSSOVER WILL BE:  
(PLEASE CHECK ONE)

FLOW THROUGH HOLES  
 CROSSOVER PIPING

IF USING FLOW-THROUGH HOLES:

DIAMETER OF HOLE (S)  
 QUANTITY OF HOLE (S)

BAFFLE MUST PROVIDE A SOLID  
BARRIER FOR LIQUIDS/ SOLIDS  
SEPARATION

YES  
 NO

SHEET TITLE:  
**SELECTION GUIDE**

PROJECT:  
**ASME DOME  
BAFFLE WALLS**

DRAWN DATE: 01/10/20 DRAWN BY: JACK REV: 00

**Fiberglass Tank  
SOLUTIONS**

P.O. BOX 326, Montreal, MO 65591  
P: 573-317-9620