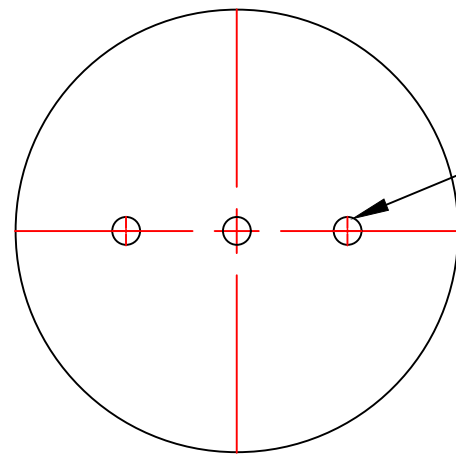
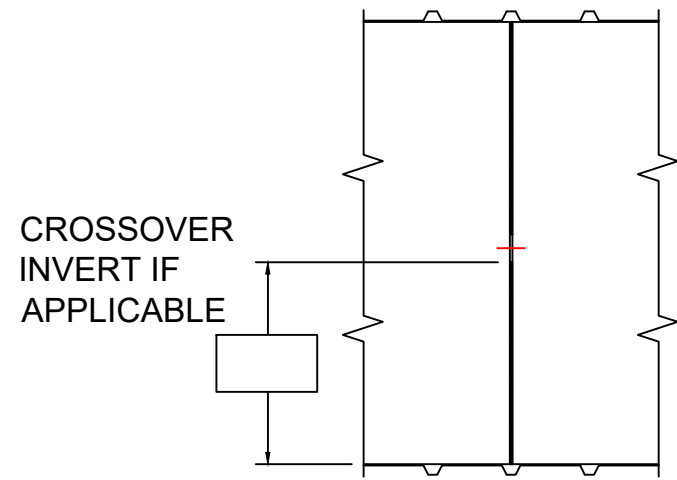
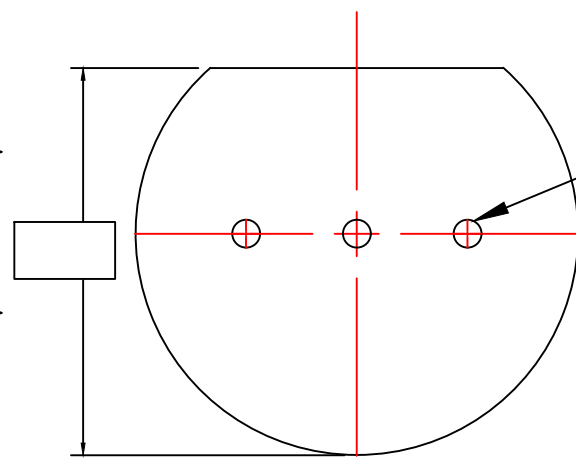
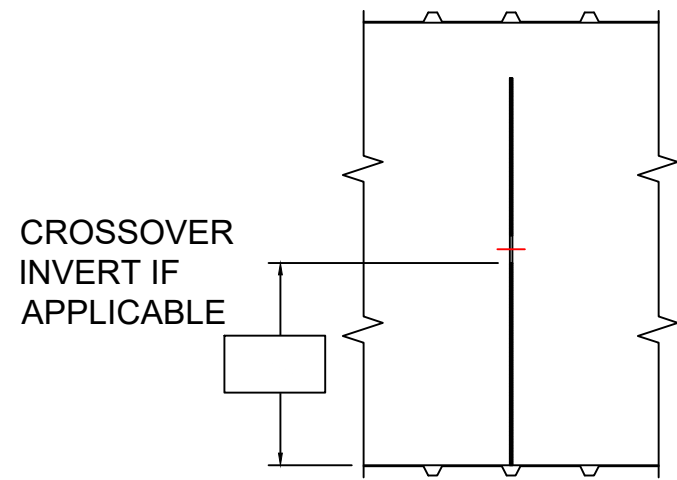


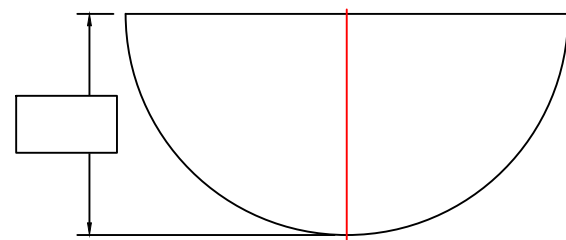
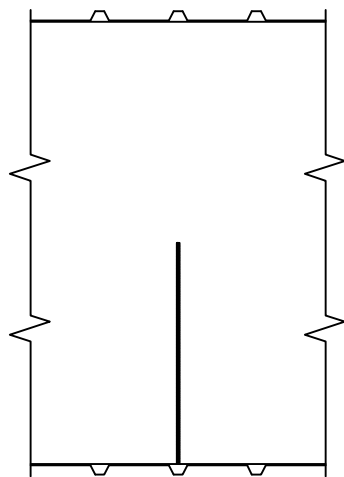
FLAT BAFFLE WALLS



FULL FLAT BAFFLE



7/8 FLAT BAFFLE



1/2 FLAT BAFFLE

BAFFLE CROSSOVER WILL BE:
(PLEASE CHECK ONE)

- FLOW THROUGH HOLES
- CROSSOVER PIPING

IF USING FLOW-THROUGH HOLES:

- DIAMETER OF HOLE (S)
- QUANTITY OF HOLE (S)

BAFFLE MUST PROVIDE A SOLID
BARRIER FOR LIQUIDS/ SOLIDS
SEPARATION

- YES
- NO

SHEET TITLE:
SELECTION GUIDE

PROJECT:
**FLAT BAFFLE
WALLS**

DRAWN DATE:	DRAWN BY:	REV.
01/10/20	JACK	00

**Fiberglass Tank
SOLUTIONS**
P.O. BOX 326, Montreal, MO 65591
P: 573-317-9620