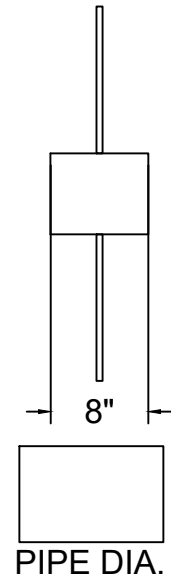


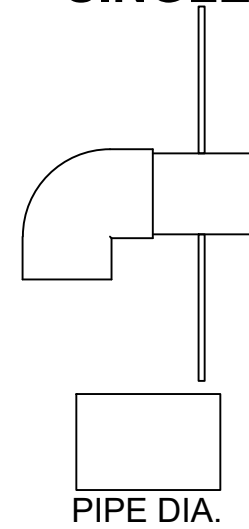
NOTE:

- SITE SPECIFIC DATA () MUST BE FILLED IN BY SPECIFIER, OWNER OR INSTALLING CONTRACTOR.
- ALL CROSSOVER PIPING IS SCHEDULE 40 PVC.
- THIS FORM MUST BE ACCOMPANIED BY THE BAFFLE / PARTITION WALL DRAWING.

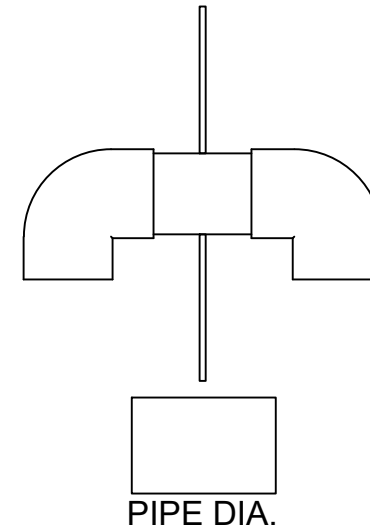
STRAIGHT PIPE



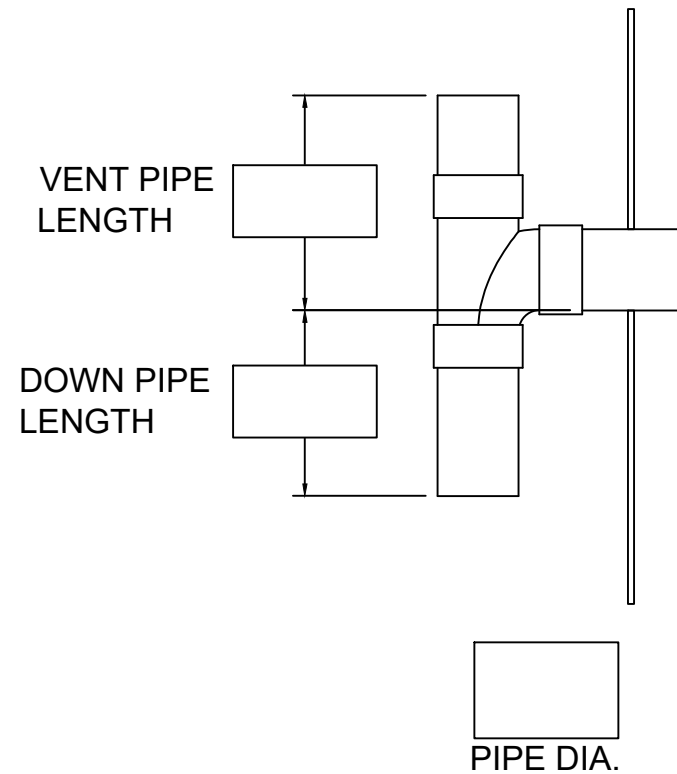
SINGLE 90°



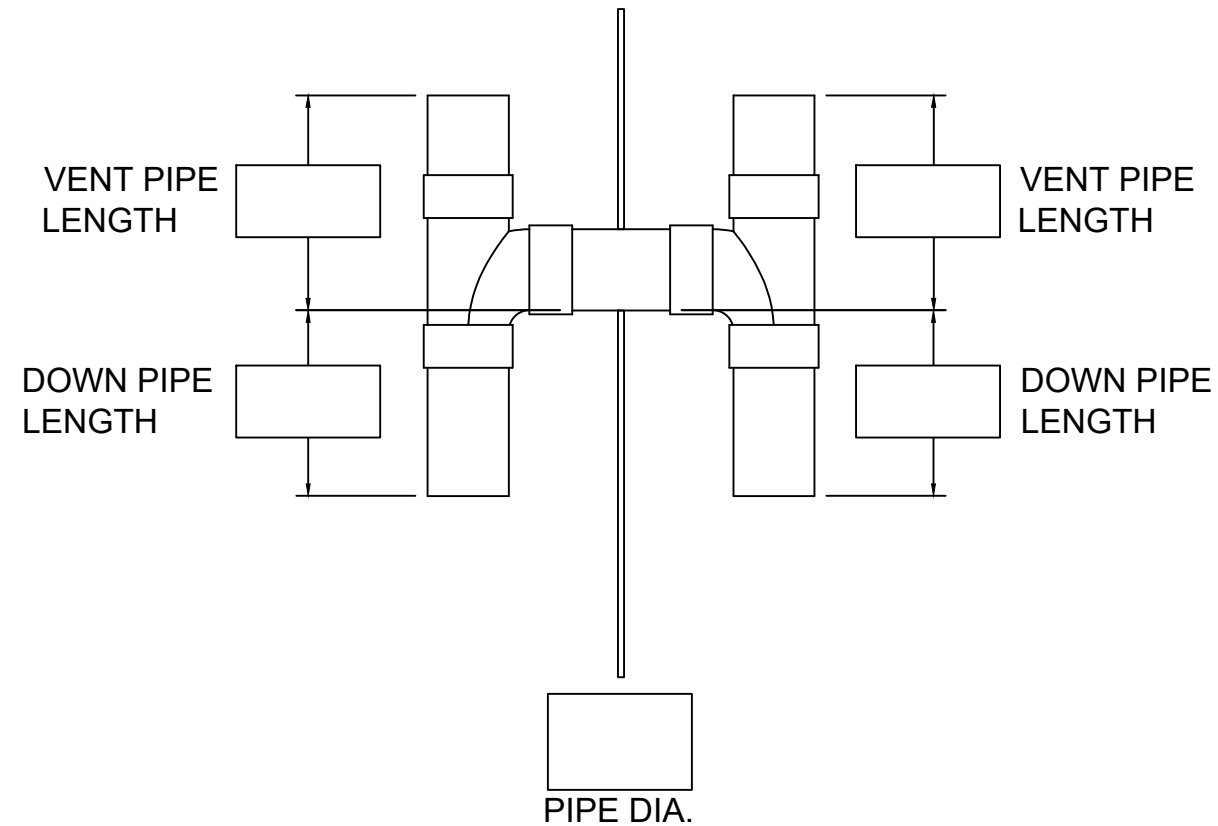
DOUBLE 90°




SINGLE TEE



DOUBLE TEE



SHEET TITLE:		
SELECTION GUIDE		
PROJECT:		
BAFFLE/ PARTITION CROSSOVER PIPE AND TEE		
DRAWN DATE:	DRAWN BY:	REV.
01/08/20	JACK	00
		
P.O. BOX 326, Montreal, MO 65591 P: 573-317-9620		