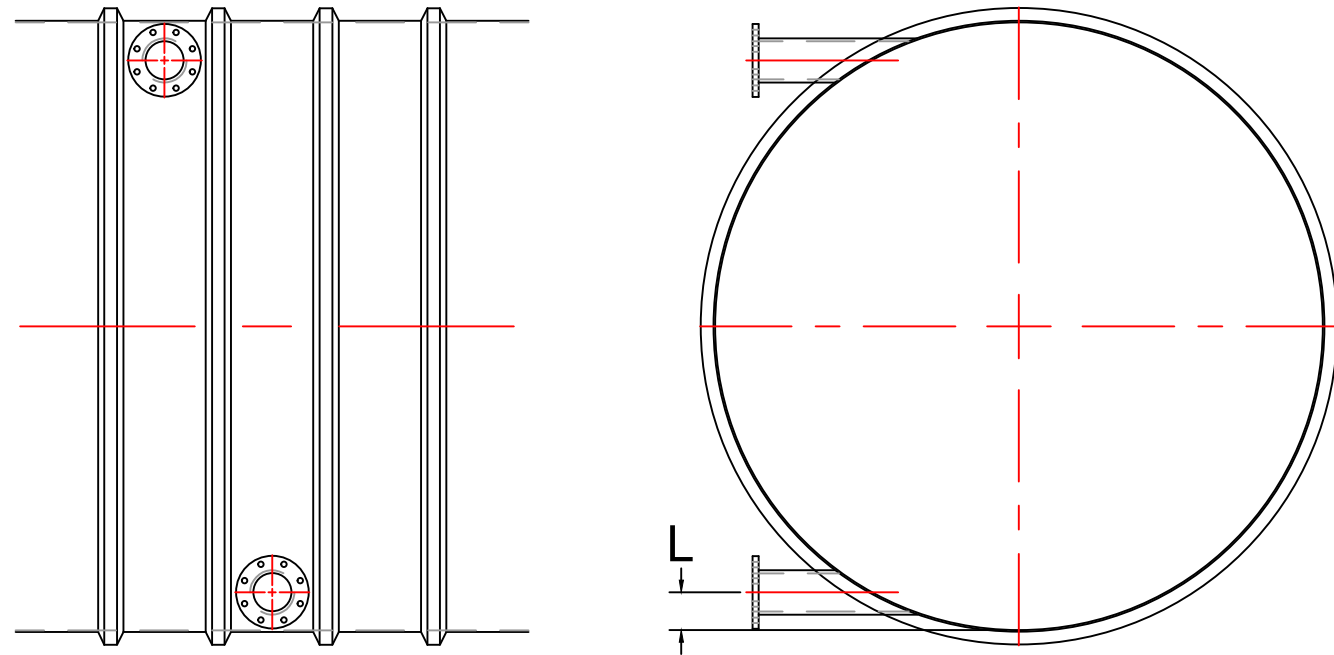
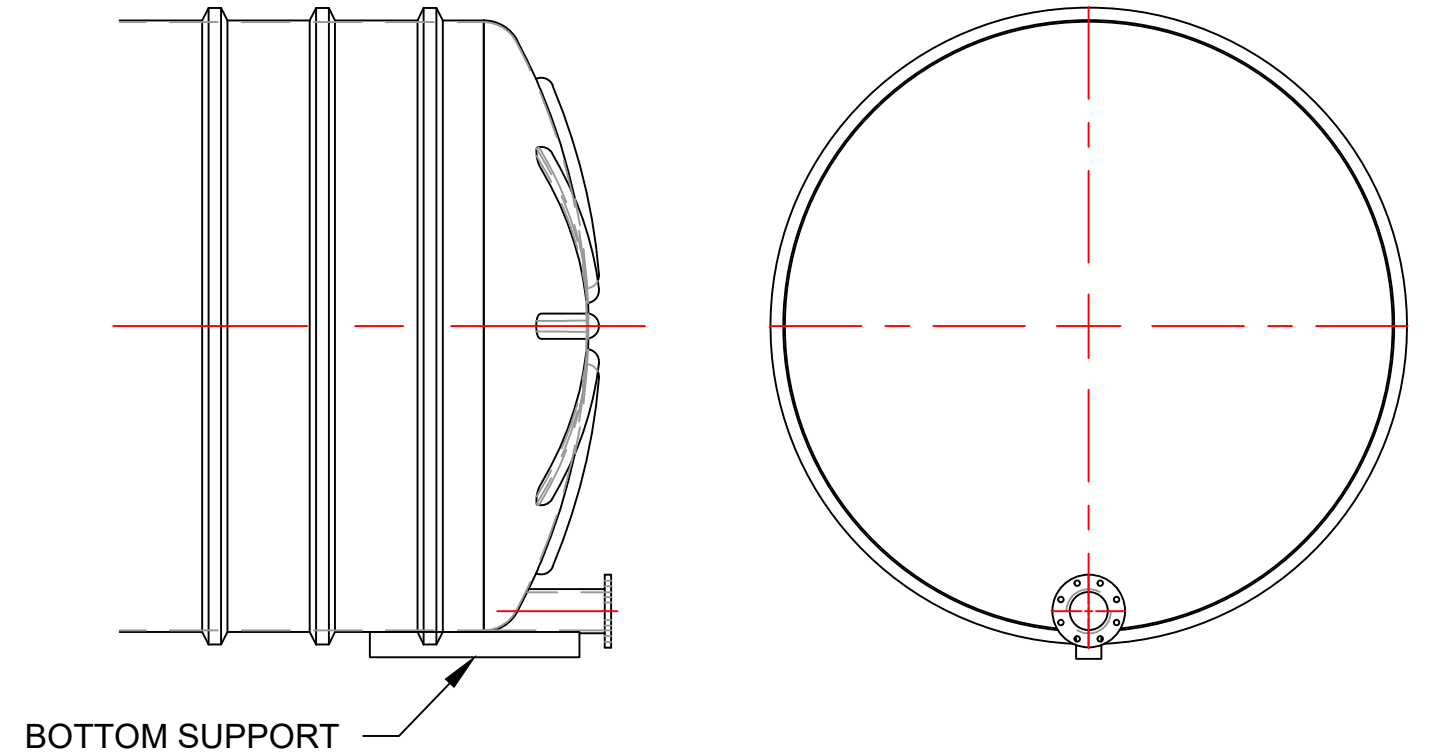


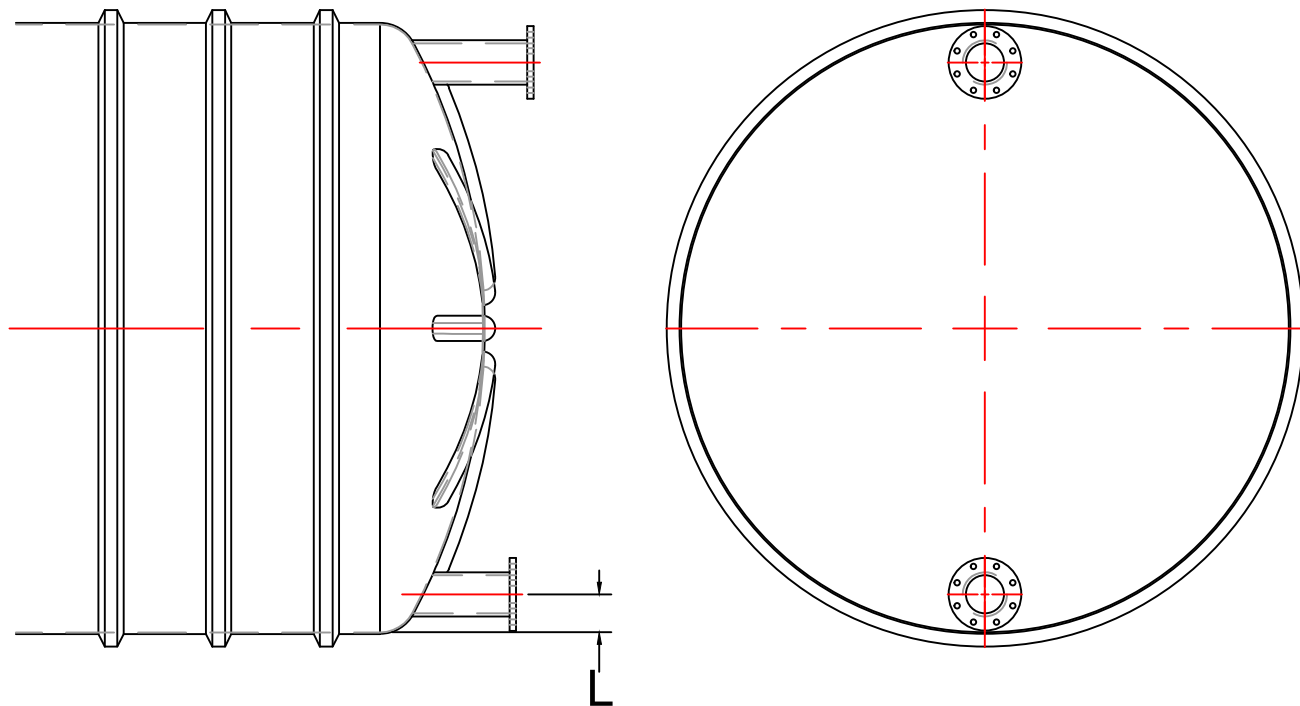
### SIDE WALL NOZZLES




### BOTTOM FULL DRAIN NOZZLE



### TOP AND BOTTOM NOZZLES



NOZZLE PLACEMENT	
NOZZLE DIA.	NOZZLE HEIGHT "L"
2"	3"
4"	5"
6"	6"
8"	7"
10"	8"
12"	10"
14"	11"
16"	12"
18"	13"

SHEET TITLE:		
PLACEMENT		
PROJECT:		
FIBERGLASS NOZZLES		
DRAWN DATE:	DRAWN BY:	REV.
01/06/20	JACK	00
		
P.O. BOX 326, Montreal, MO 65591 P: 573-317-9620		