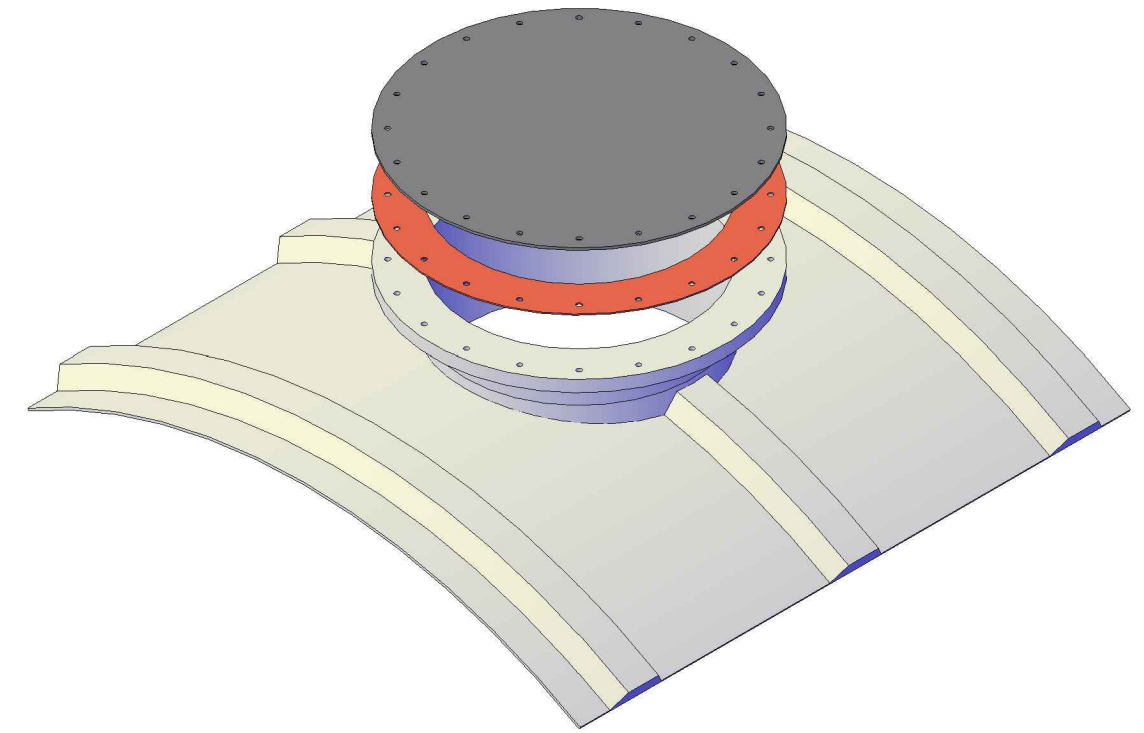
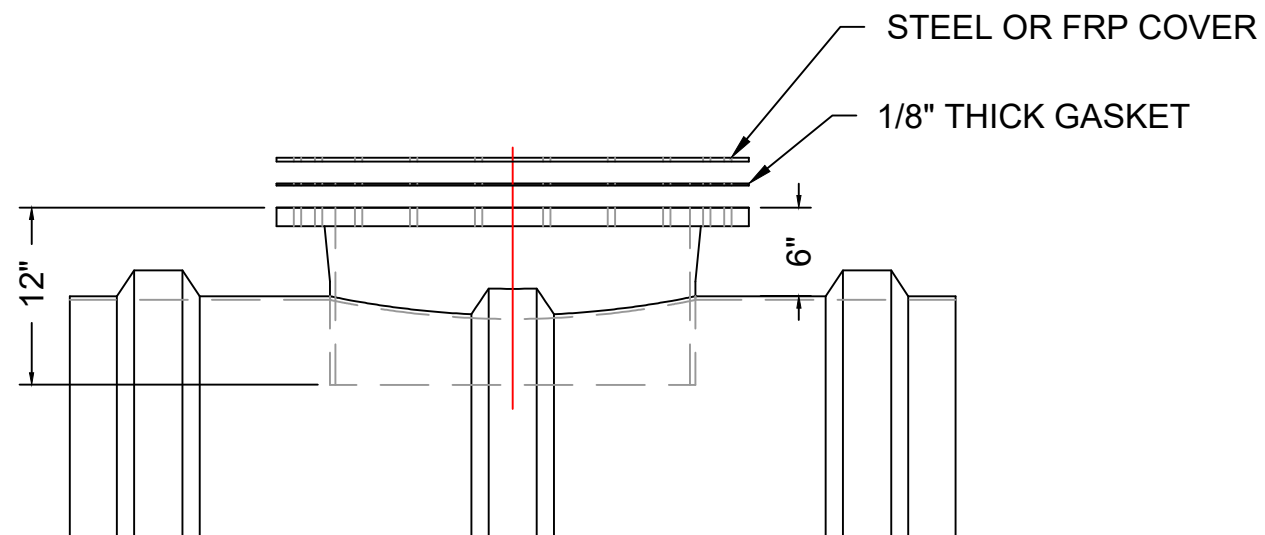


TOP VIEW



ISOMETRIC VIEW



FRONT VIEW

MANWAY DIMENSIONS

SIZE	22"	24"	30"
O.D.	28"	32"	38 3/4"
I.D.	22"	24"	30"
BOLT CIRCLE	26"	29 1/2"	36"
HOLE Ø	3/4"	1/2"	3/4"
HOLE QTY	24	20	28

SHEET TITLE:
**FIBERGLASS
 MANWAYS**

DRAWN DATE: 11/12/20 DRAWN BY: JACK REV. 00

**Fiberglass Tank
 SOLUTIONS**

Mailing: P.O. BOX 326, Montreal, MO 65591
 MFG: 147 Camdenton Bus. Prk. Dr.,
 Camdenton, MO 65020
 P: 573-317-9620