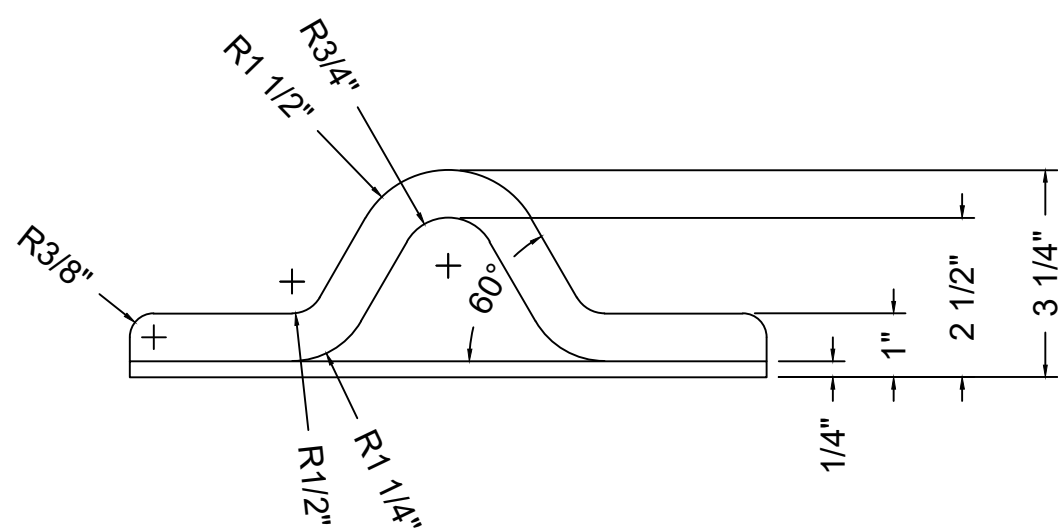
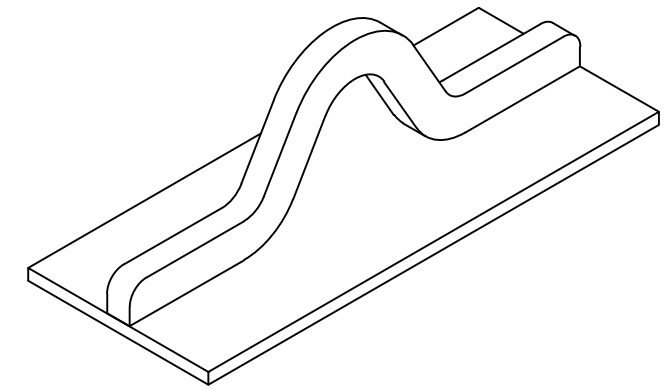
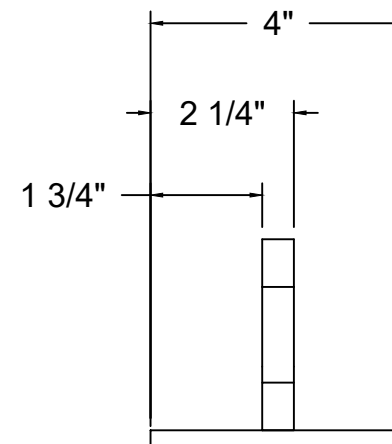




TOP VIEW



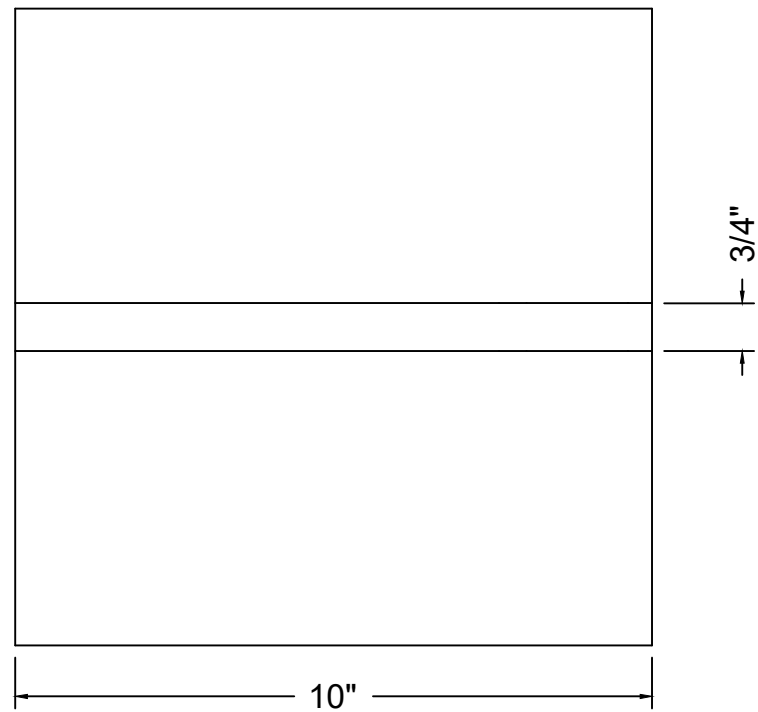
FRONT VIEW



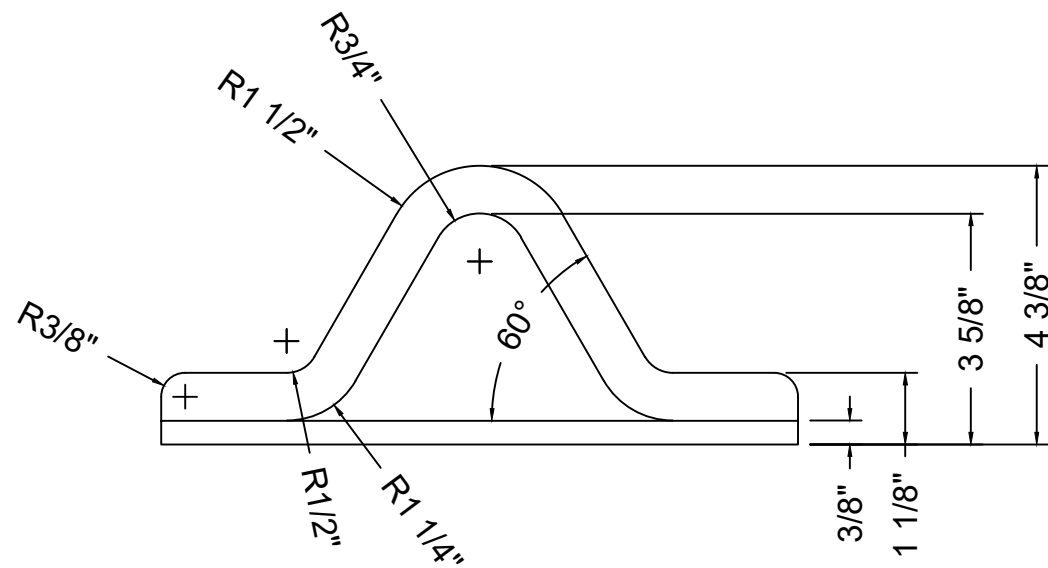
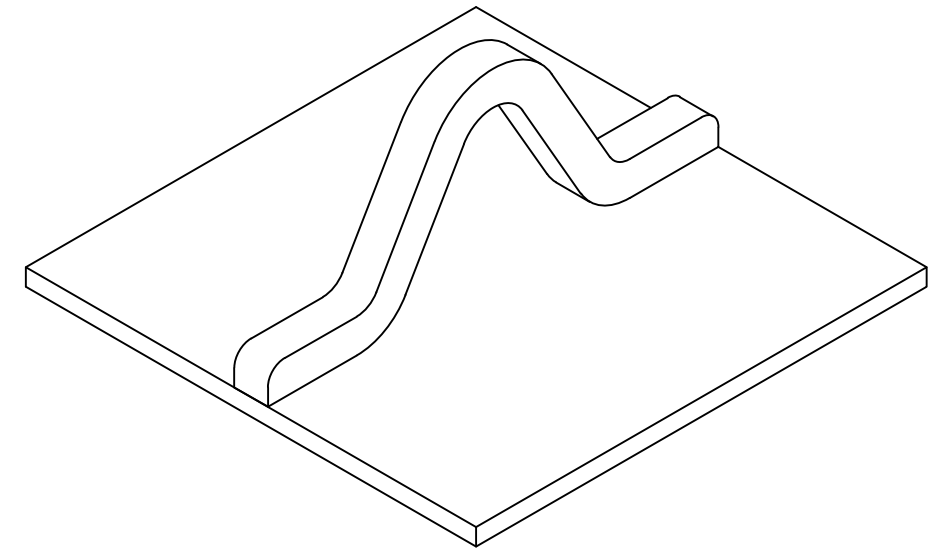
RIGHT SIDE VIEW

MATERIAL: A36 STEEL

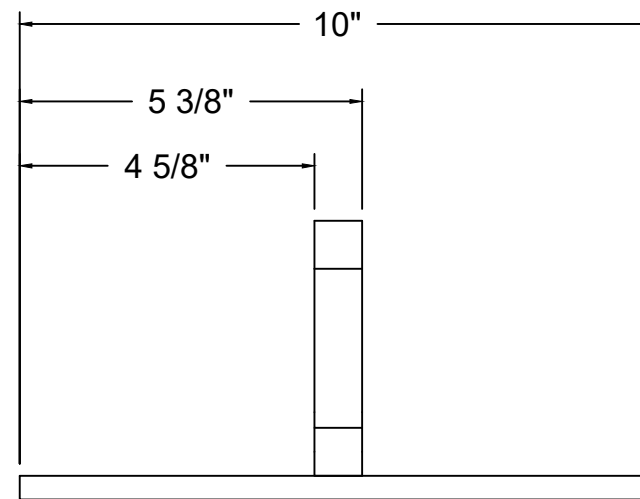
| | | | |
|--|--|--|--|
| SHEET TITLE: 4' & 5' TANKS | | | |
| PROJECT NUMBER: | | | |
| PROJECT NAME: UST LIFTING LUGS | | | DRAWN DATE: 04/08/20 DRAWN BY: JACK REV: 00 |
| Mailing: P.O. BOX 326, Montreal, MO 65591 MFG: 147 Camdenton Bus. Prk. Dr., Camdenton, MO 65020 P: 573-317-9620 | | | |



TOP VIEW



FRONT VIEW



RIGHT SIDE VIEW

MATERIAL: A36 STEEL

| | | | |
|--|--|--|--|
| SHEET TITLE: 6', 8', 10', 12' TANKS | | | |
| PROJECT NUMBER: | | | |
| PROJECT NAME: UST LIFTING LUGS | | | DRAWN DATE: 04/08/20 DRAWN BY: JACK REV: 00 |
| Mailing: P.O. BOX 326, Montreal, MO 65591 MFG: 147 Camdenton Bus. Prk. Dr., Camdenton, MO 65020 P: 573-317-9620 | | | |