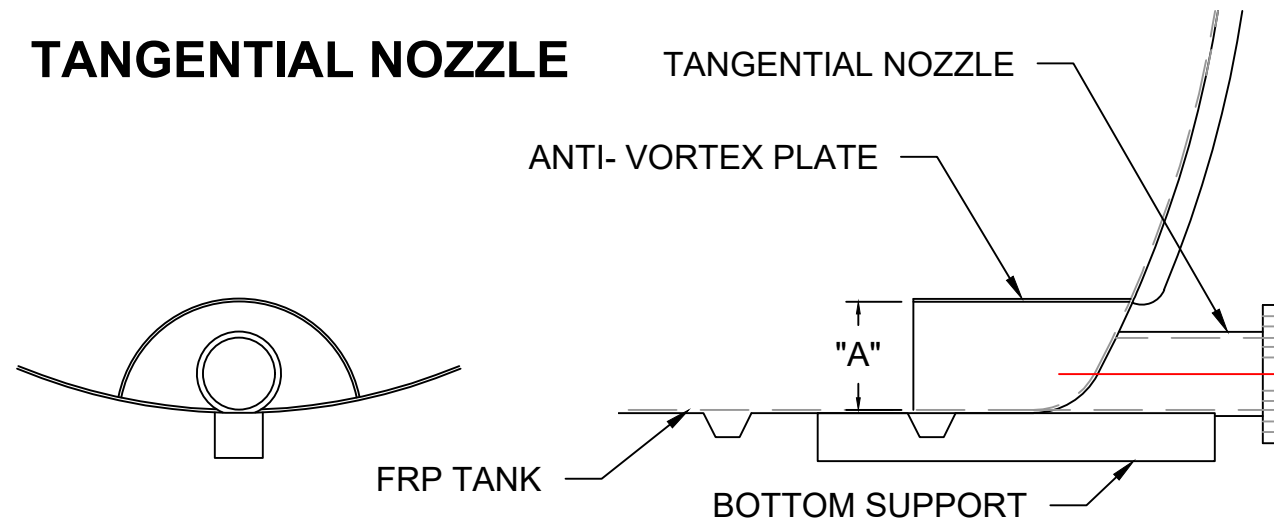
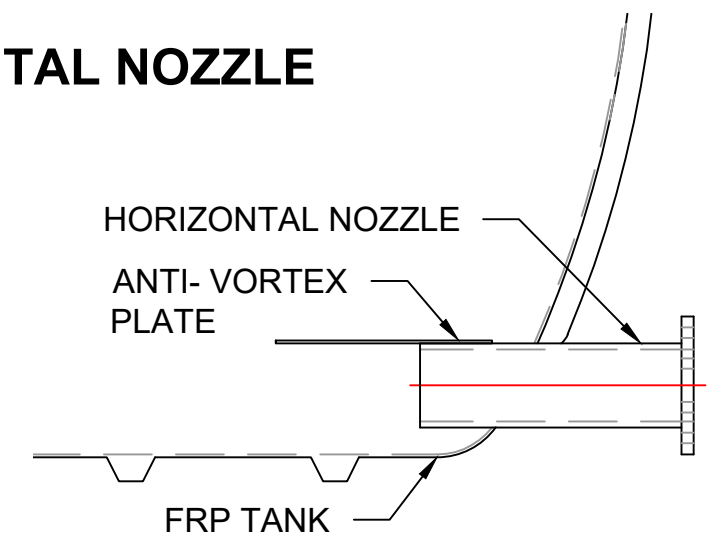


## TANGENTIAL NOZZLE



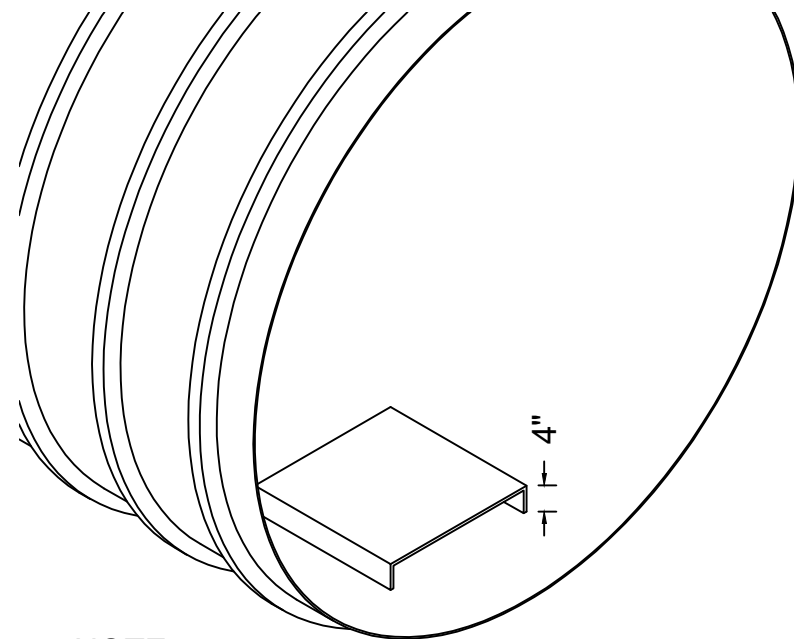
NOZZLE SIZE	ANTI-VORTEX PLATE HEIGHT "A"
2" DIA.	5"
4" DIA.	7"
6" DIA.	9"
8" DIA.	14"
10" DIA.	16"
12" DIA.	18"

## HORIZONTAL NOZZLE



NOZZLE SIZE	ANTI-VORTEX PLATE WIDTH "A"
2" DIA.	14"
4" DIA.	16"
6" DIA.	18"
8" DIA.	20"
10" DIA.	22"
12" DIA.	24"

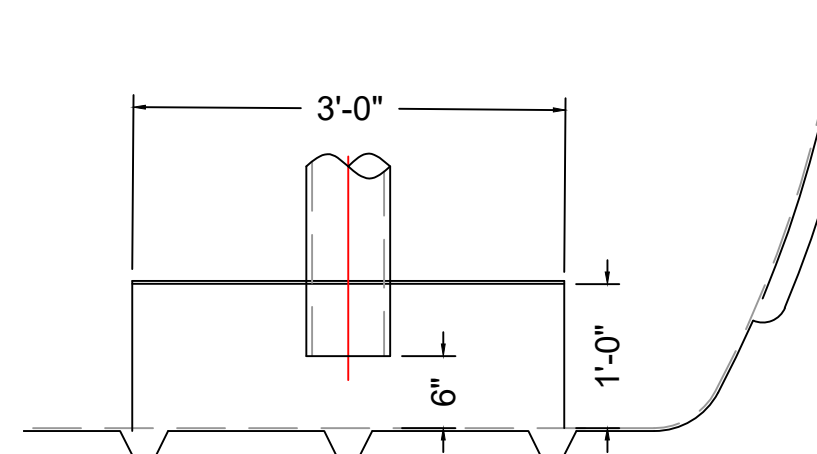
## PUMP PLATFORM



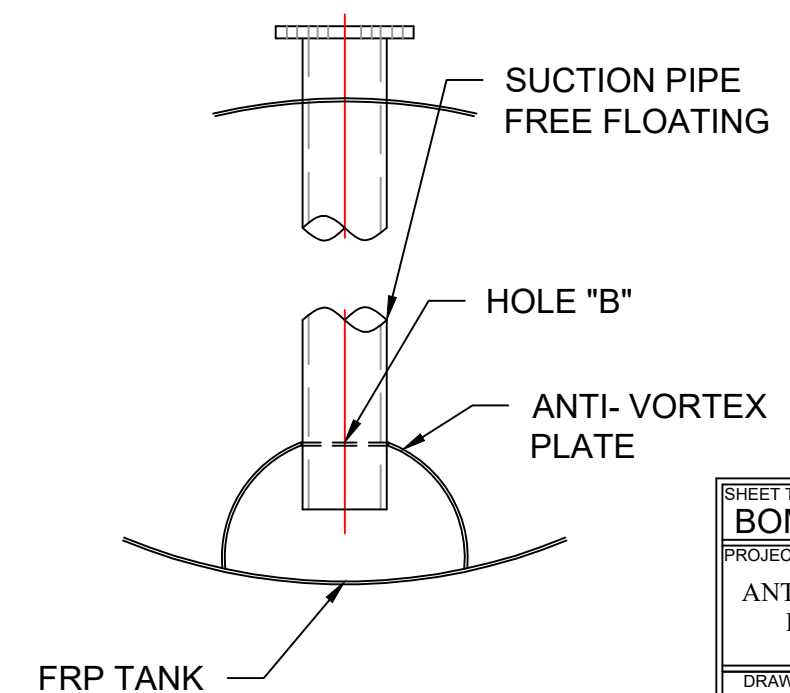
**NOTE:**

- PUMP PLATFORMS ARE USED FOR PUMPS UP TO 300 LBS.
- STANDARD PLATFORM SIZES AVAILABLE ARE 24" X 24", 24" X 36", & 36" X 36".

## VERTICAL NOZZLE



PIPE DIA.	"A" HIGH	"B" HOLE
4"	6"	4 5/8"
6"	6"	6 3/4"
8"	8"	8 3/4"
10"	10"	10 3/4"
12"	10"	12 3/4"



SHEET TITLE:  
**BOM/PROD. NOTES.**

PROJECT:  
ANT-VORTEX PLATES &  
PUMP PLATFORM

DRAWN DATE: 01/06/20 DRAWN BY: JACK REV. 00

**Fiberglass Tank SOLUTIONS**  
P.O. BOX 326, Montreal, MO 65591  
P: 573-317-9620