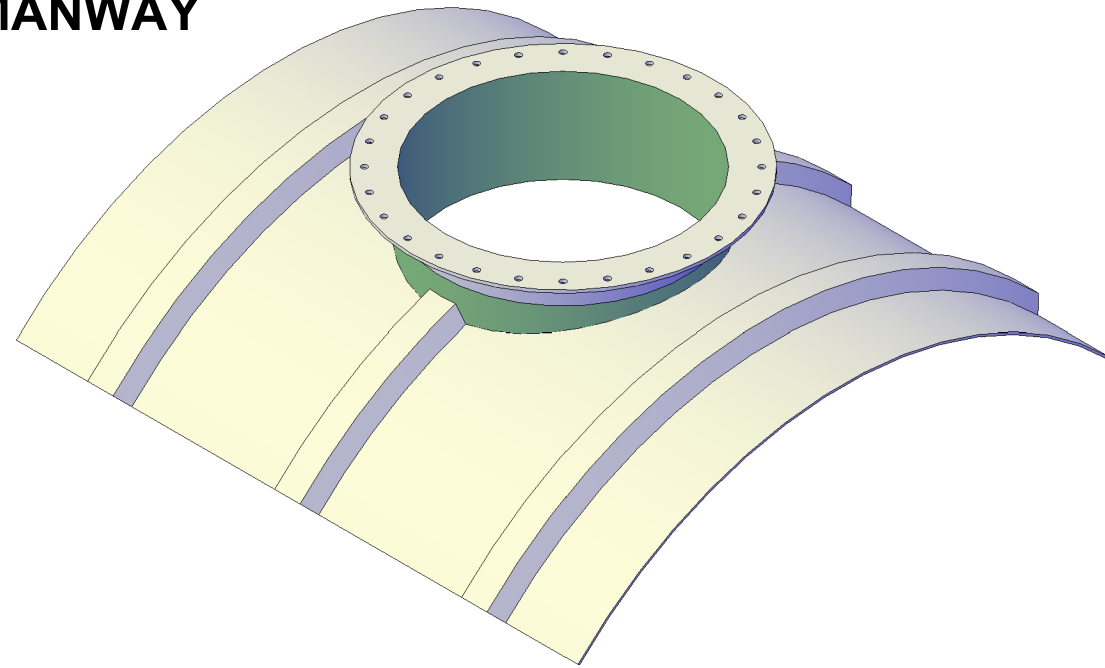
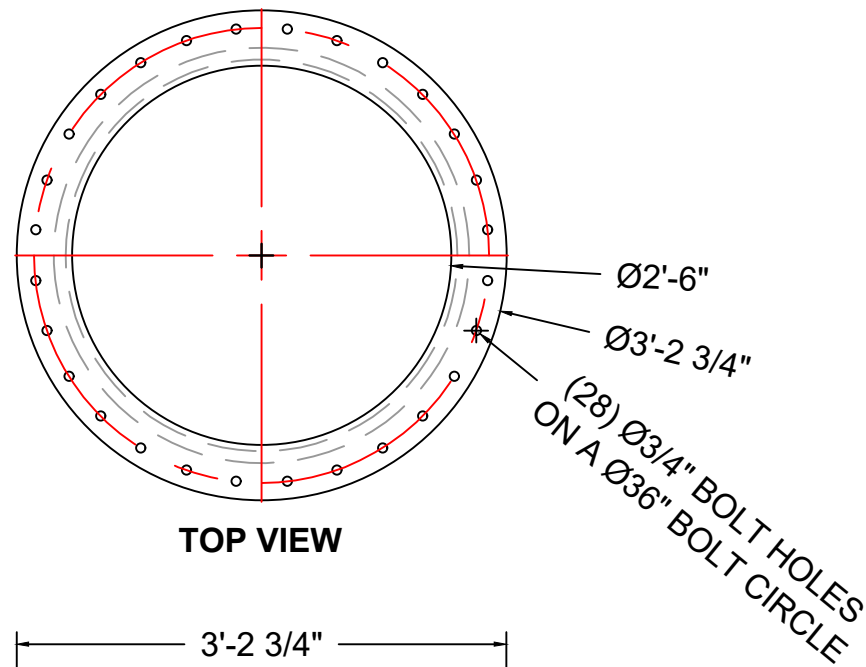


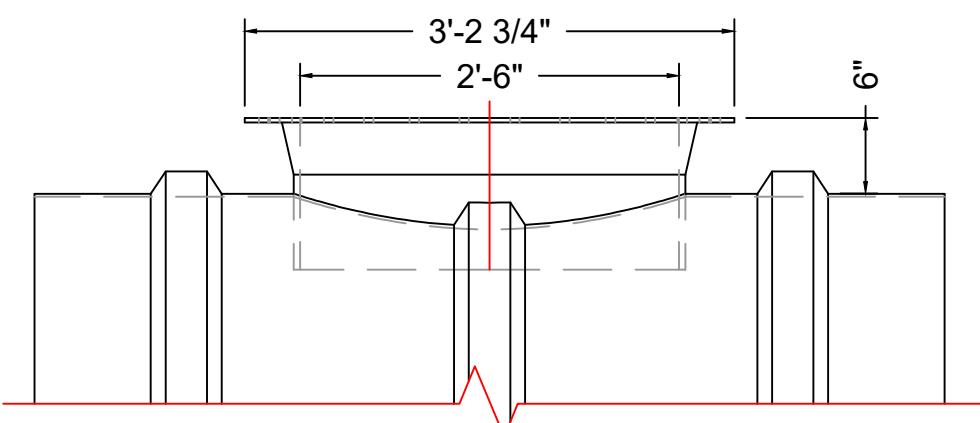
Ø30" MANWAY



ISOMETRIC VIEW



TOP VIEW

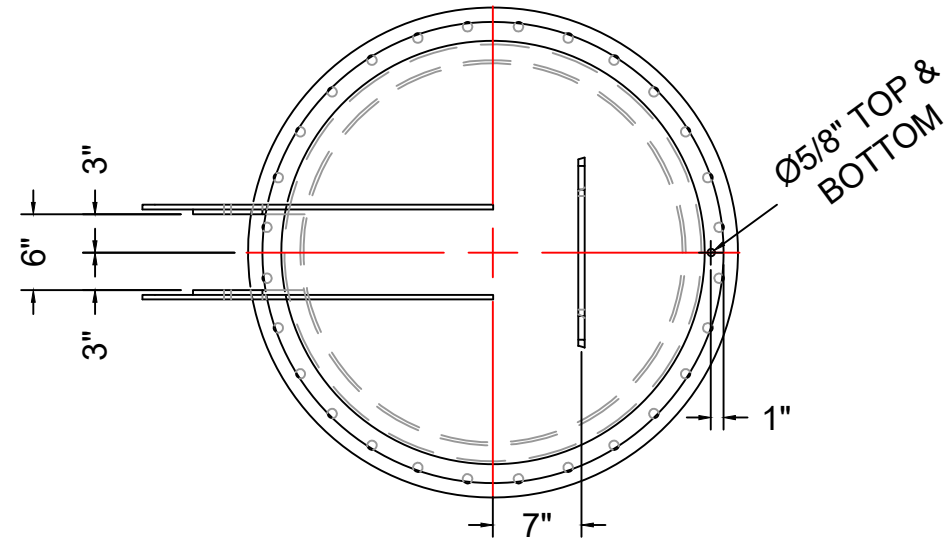


FRONT VIEW

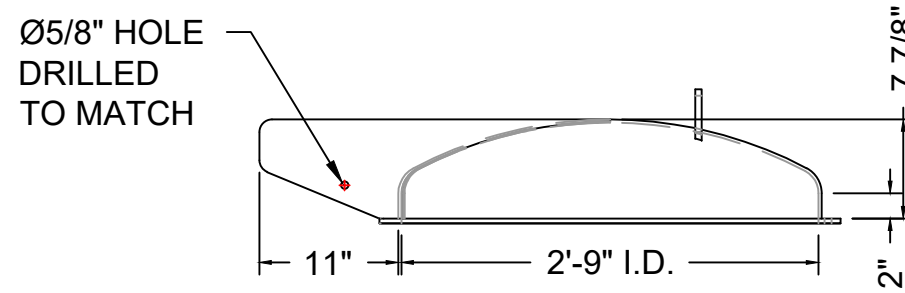
Ø30" HINGED AND LOCKABLE MANWAY EXTENSION

NOTES:

- COMES WITH SS304 HARDWARE AND EPDM GASKET.

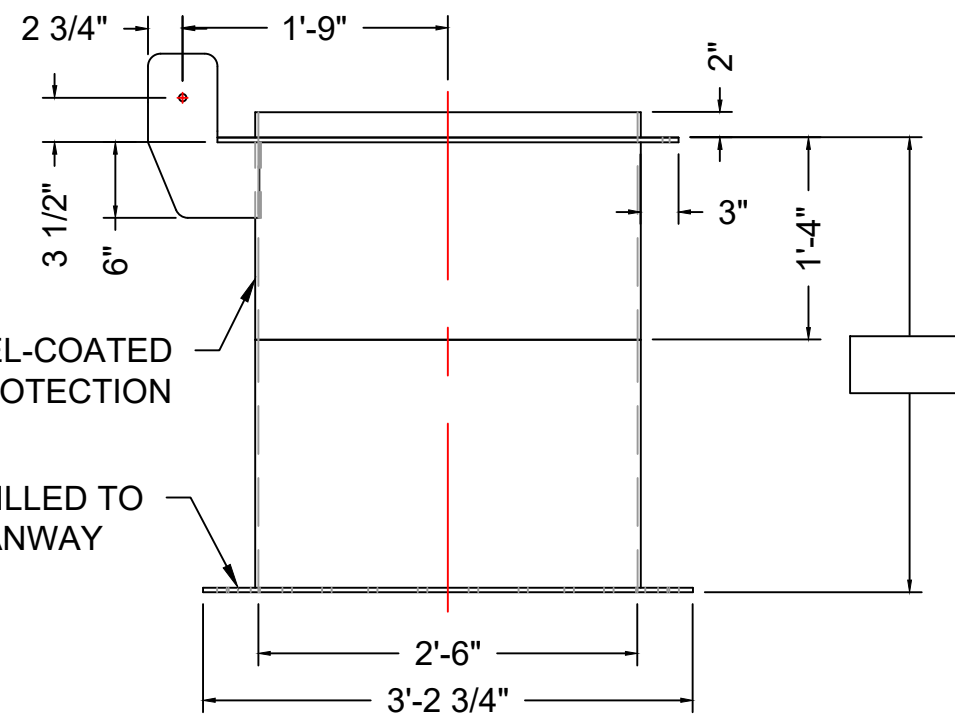


TOP VIEW

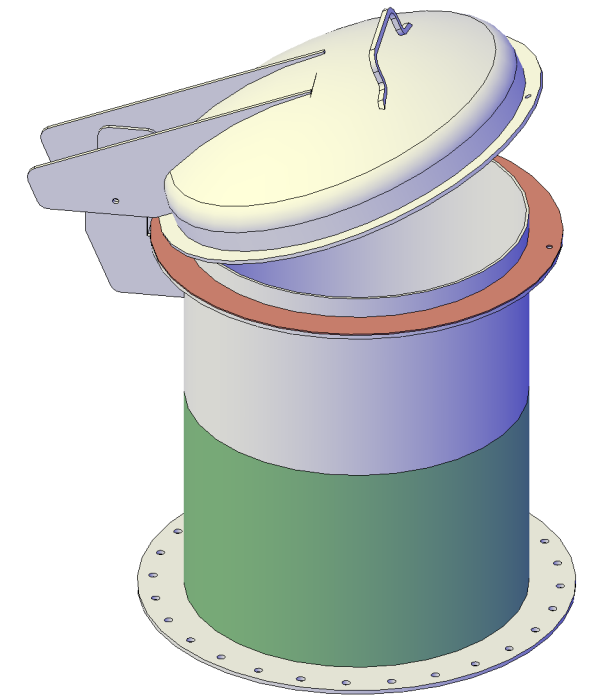


TOP 18" GEL-COATED FOR UV PROTECTION

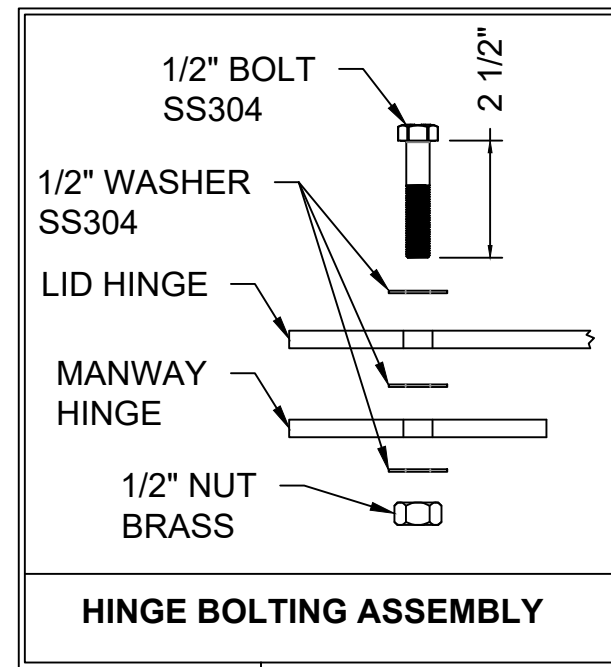
HOLES DRILLED TO MATCH MANWAY



FRONT VIEW



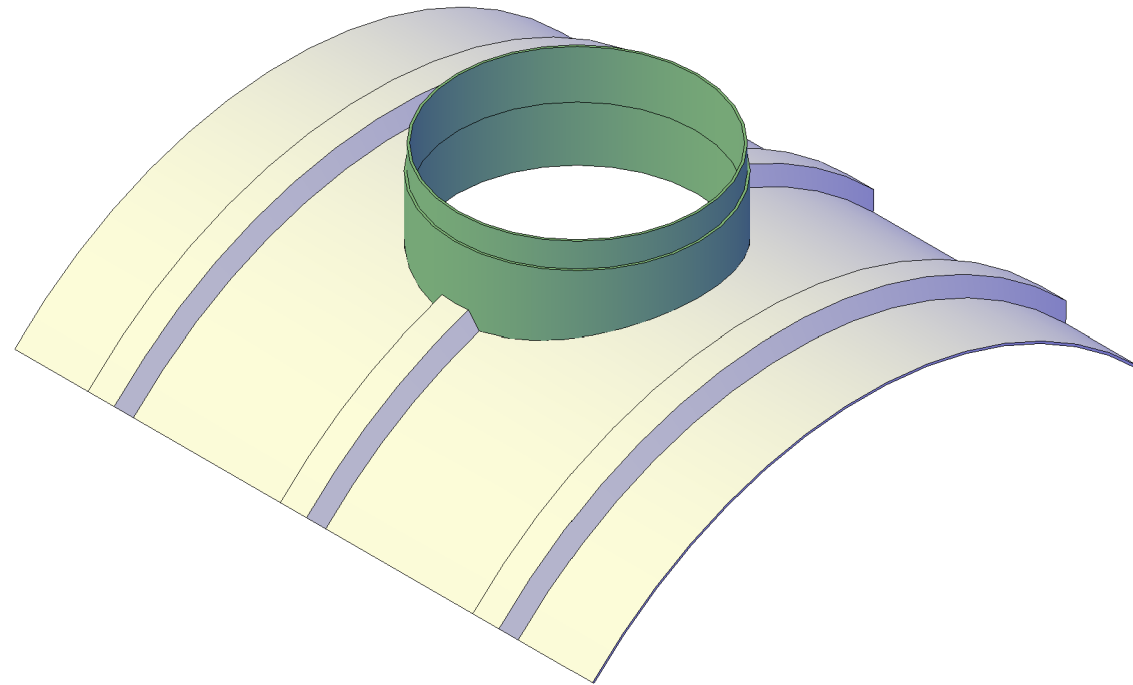
CONCEPTUAL VIEW



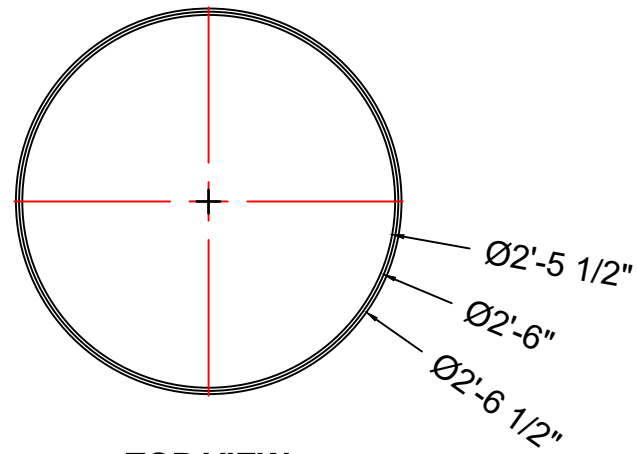
HINGE BOLTING ASSEMBLY

SHEET TITLE: Ø30" MANWAY EXTENSION & MANWAY		
PROJECT NAME: HINGED AND LOCKABLE LIDS		
DRAWN DATE: 02/03/23	DRAWN BY: JACK	REV. 00
Mailing: P.O. BOX 326, Montreal, MO 65591 MFG: 147 Opportunity Rd., Camdenton, MO 65020 P: 573-317-9620		

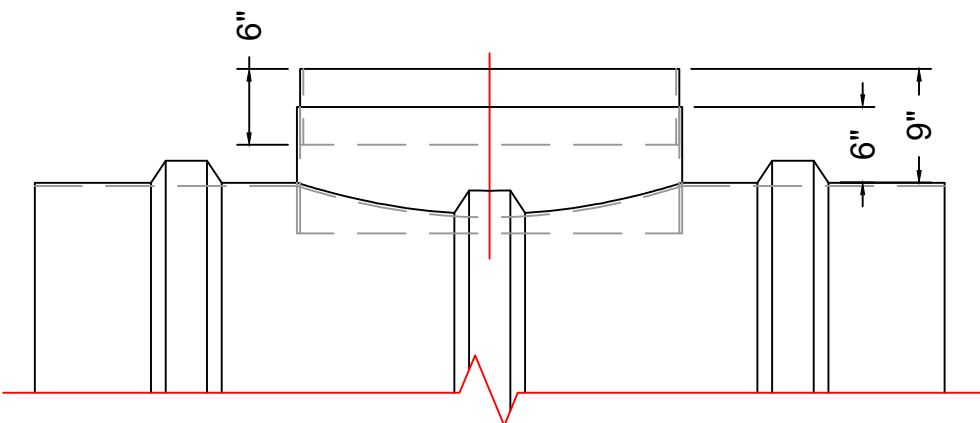
**Ø30" ACCESS OPENING
W/ ALIGNMENT RING**



ISOMETRIC VIEW



TOP VIEW

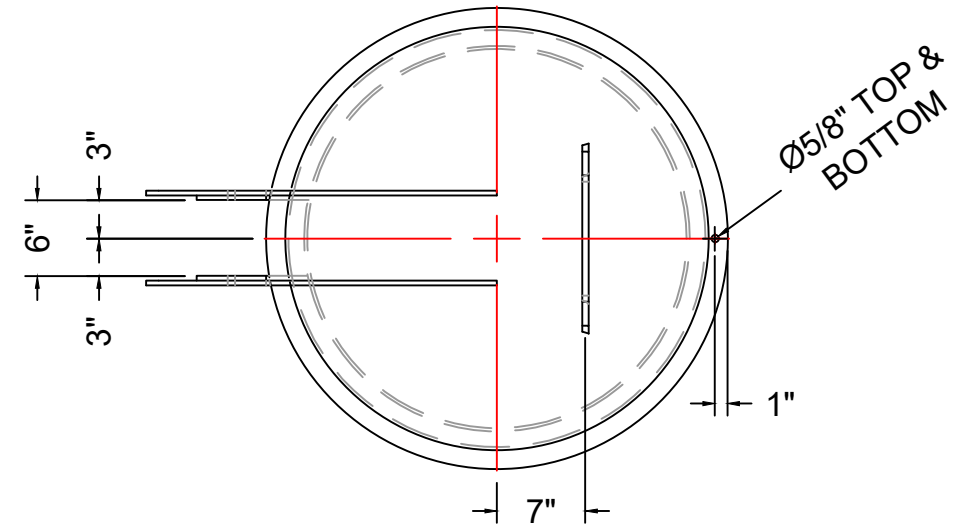


FRONT VIEW

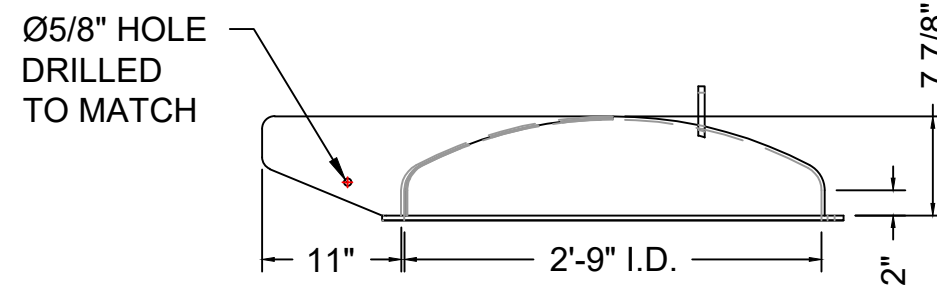
**Ø30" HINGED AND
LOCKABLE RISER**

NOTES:

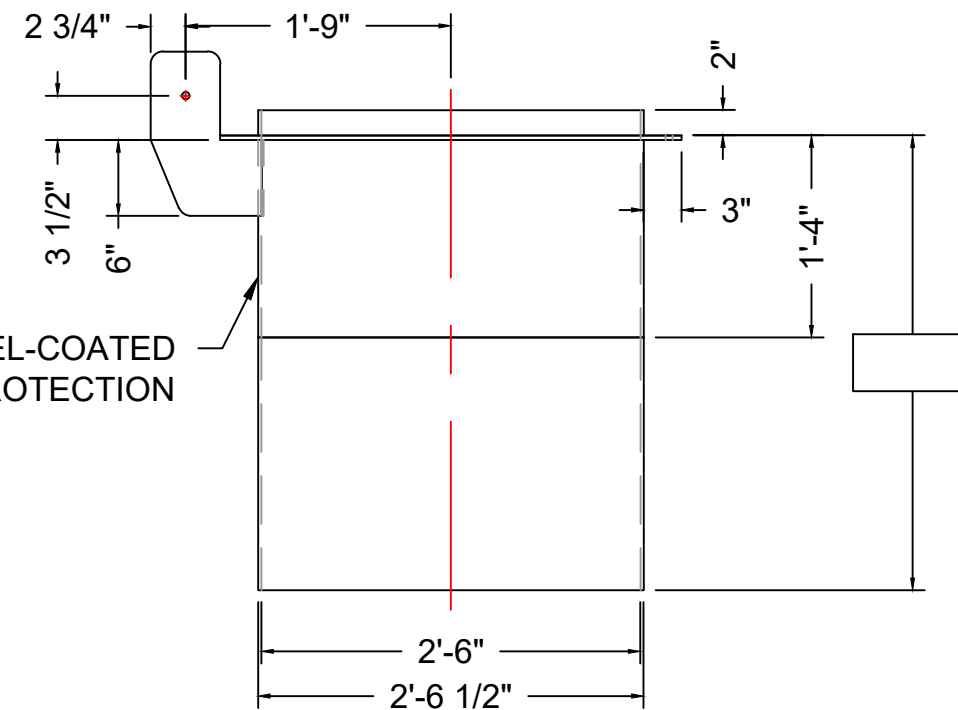
- COMES WITH SS304 HARDWARE AND EPDM GASKET.



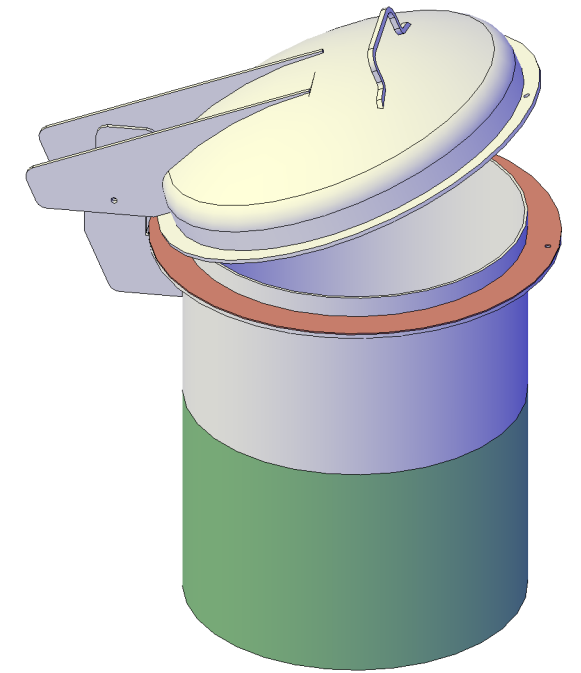
TOP VIEW



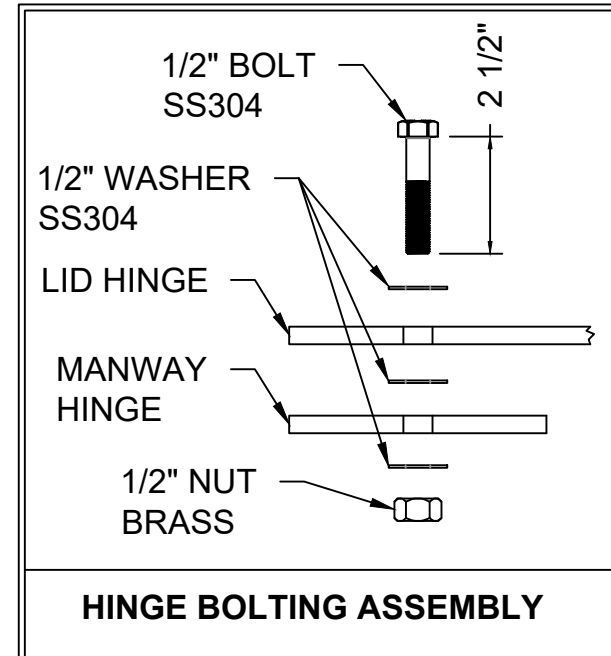
TOP 18" GEL-COATED
FOR UV PROTECTION



FRONT VIEW



CONCEPTUAL VIEW



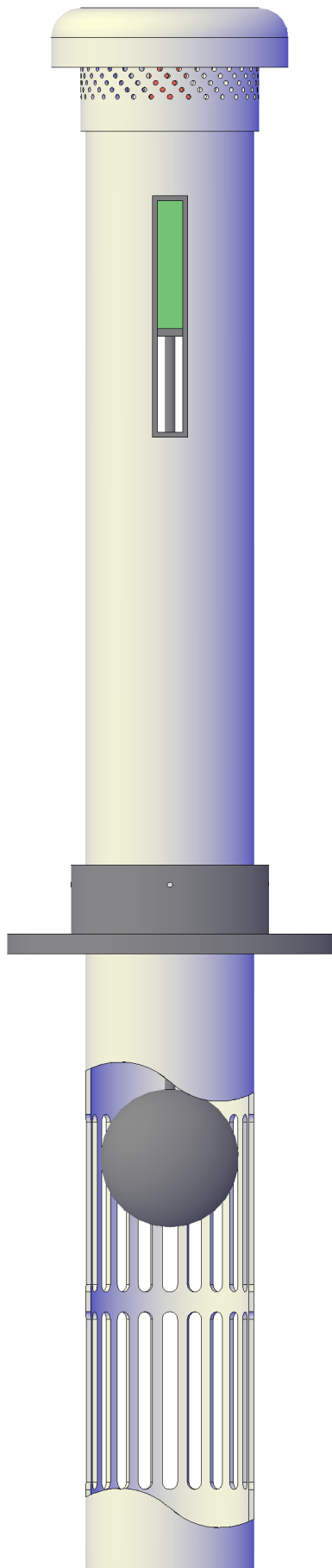
SHEET TITLE:
**Ø30" RISER &
ACCESS OPENING**

PROJECT NAME:
**HINGED AND
LOCKABLE LIDS**

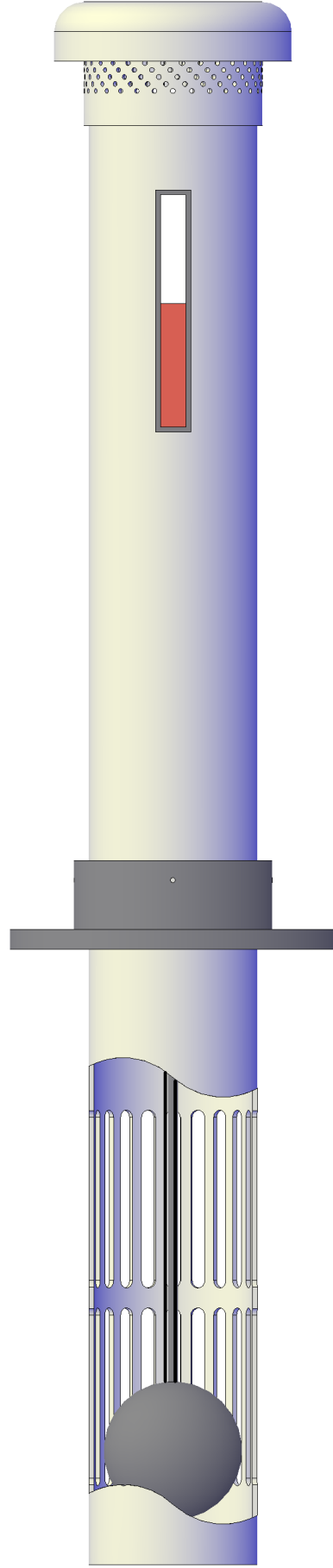
DRAWN DATE: 02/03/23	DRAWN BY: JACK	REV. 00
--------------------------------	--------------------------	-------------------



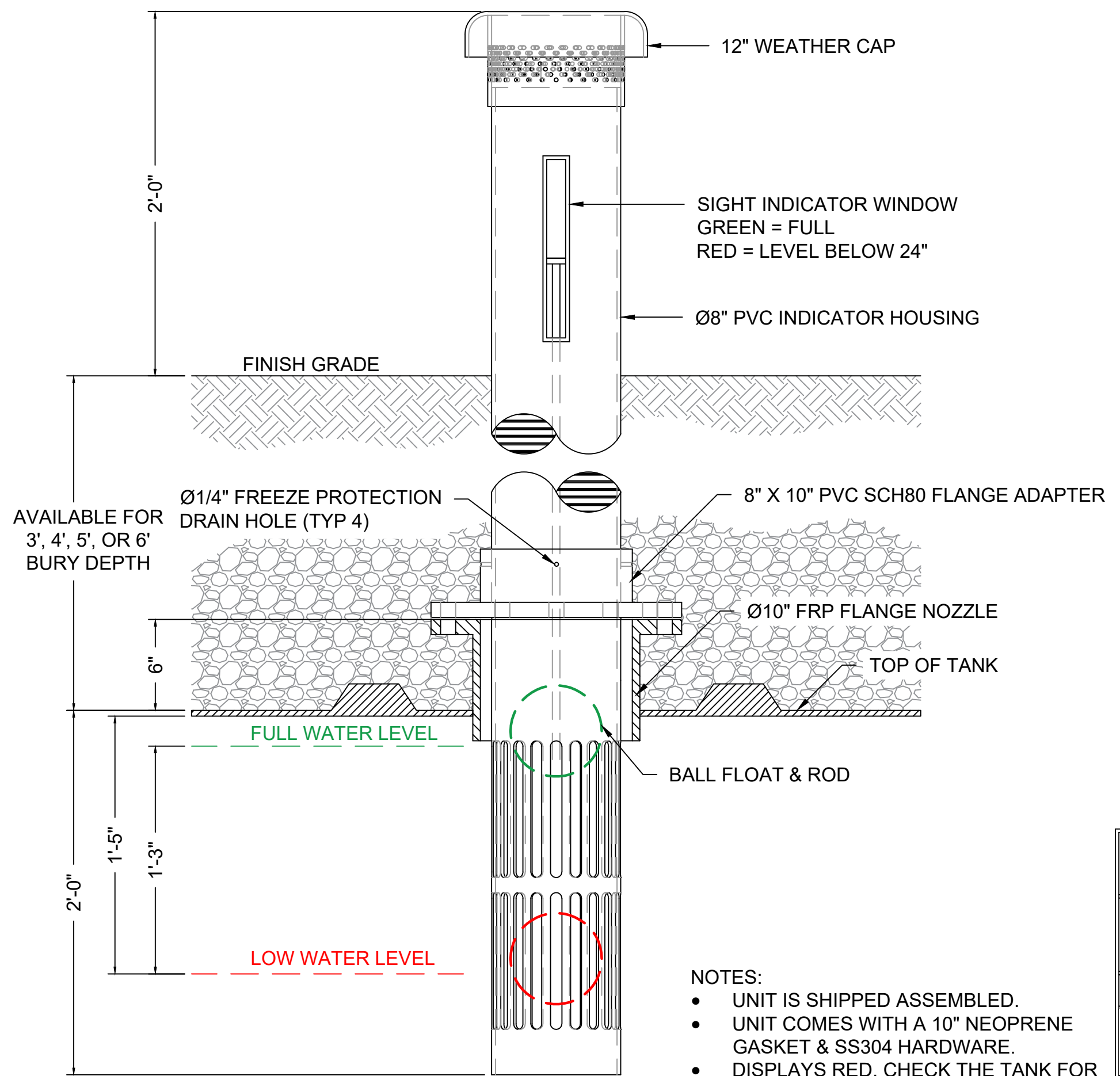
Mailing: P.O. BOX 326, Montreal, MO 65591
MFG: 147 Opportunity Rd.,
Camdenton, MO 65020
P: 573-317-9620



FULL WATER LEVEL

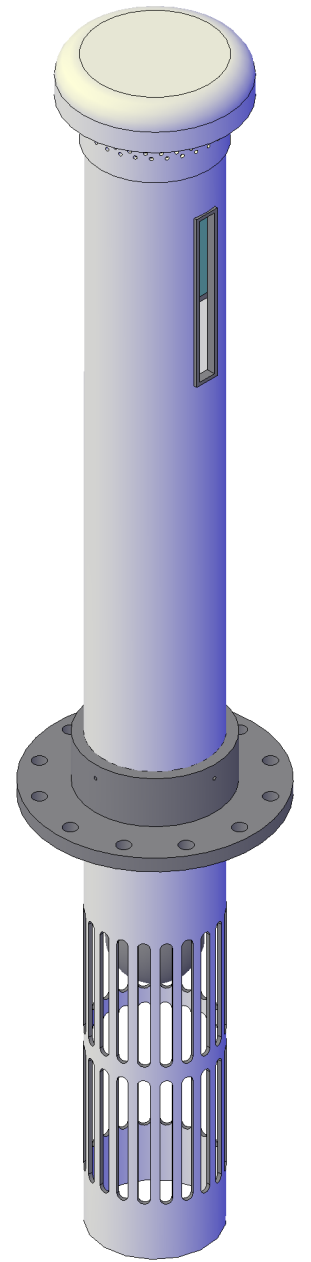


LOW WATER LEVEL



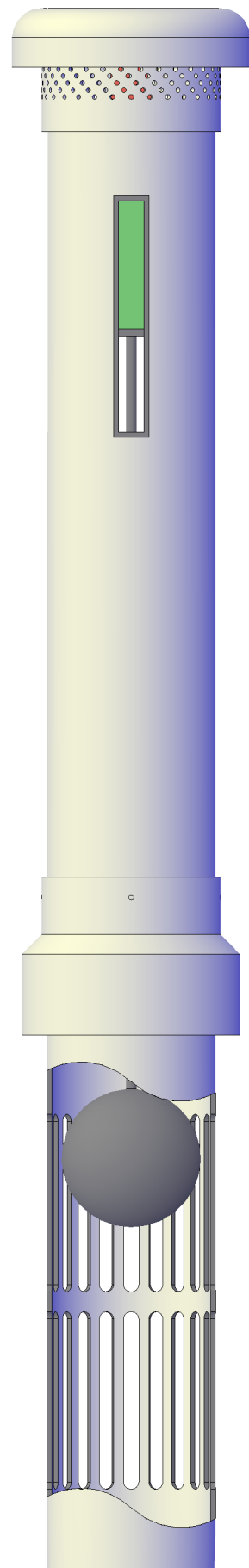
NOTES:

- UNIT IS SHIPPED ASSEMBLED.
- UNIT COMES WITH A 10" NEOPRENE GASKET & SS304 HARDWARE.
- DISPLAYS RED, CHECK THE TANK FOR LEAKS.

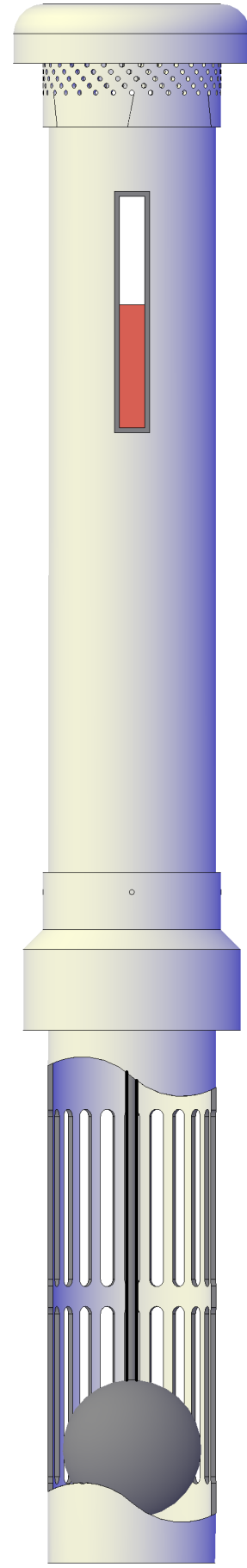


ISOMETRIC VIEW

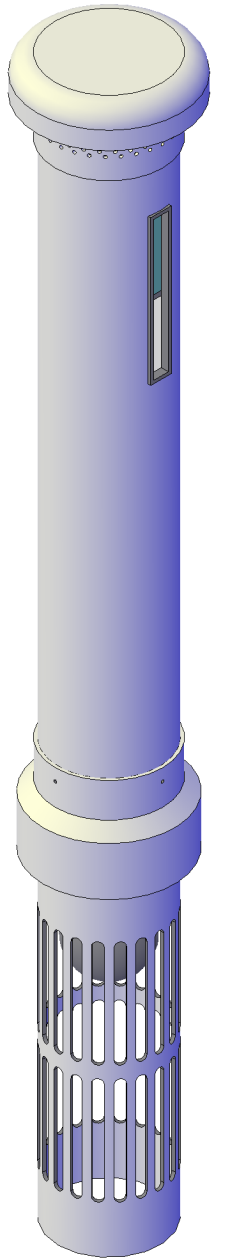
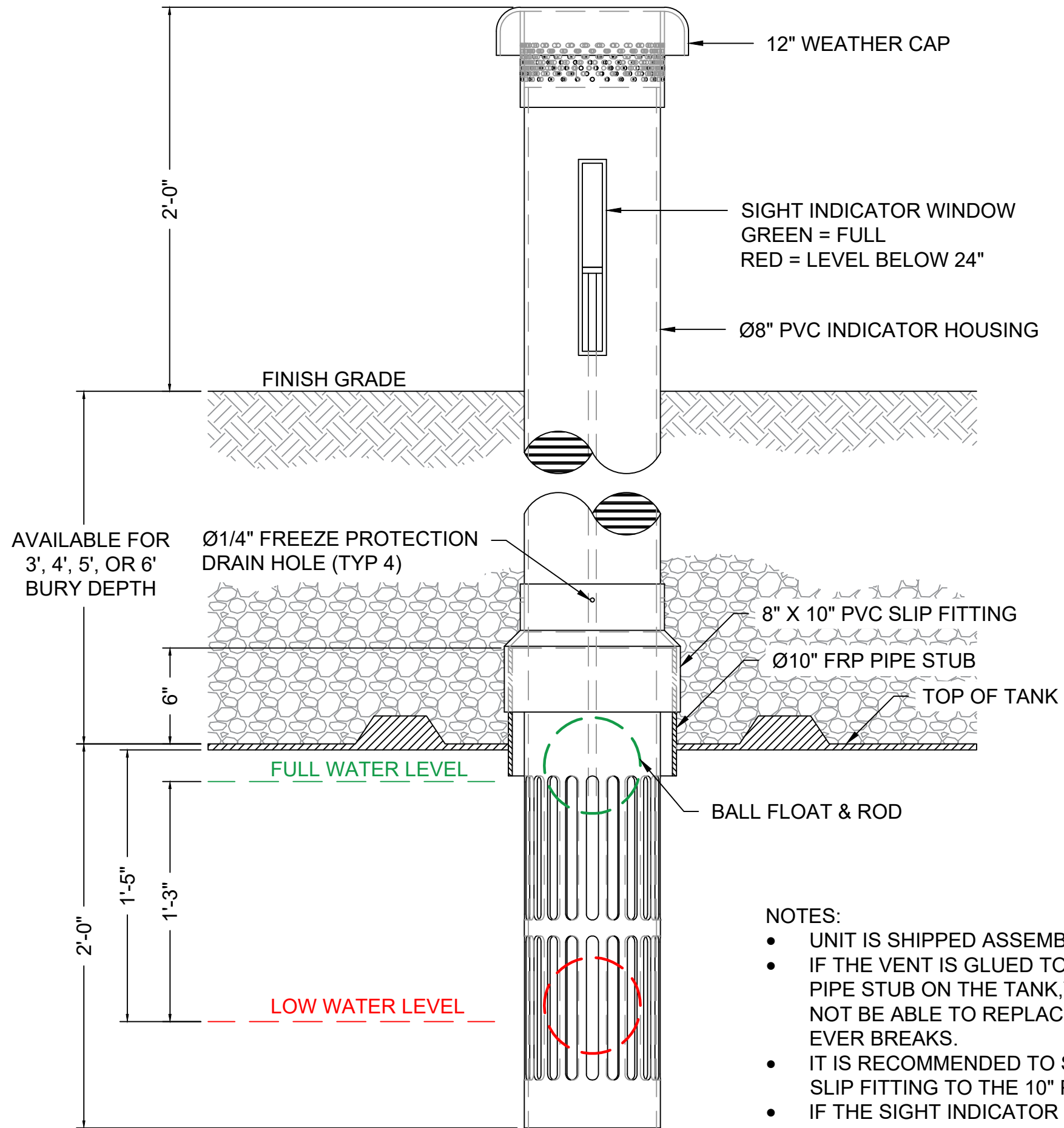
SHEET TITLE:		
8" X10" FLANGE ADAPTER OPTION		
PROJECT NAME:		
8" PVC VENT & LEVEL INDICATOR ASSEMBLY		
DRAWN DATE:	DRAWN BY:	REV.
01/23/23	JACK	01
Mailing: P.O. BOX 326, Montreal, MO 65591 MFG: 147 Opportunity Rd., Camdenton, MO 65020 P: 573-317-9620		



FULL WATER LEVEL



LOW WATER LEVEL



ISOMETRIC VIEW

NOTES:

- UNIT IS SHIPPED ASSEMBLED.
- IF THE VENT IS GLUED TO THE 10" FRP PIPE STUB ON THE TANK, YOU WILL NOT BE ABLE TO REPLACE IT IF IT EVER BREAKS.
- IT IS RECOMMENDED TO SCREW THE SLIP FITTING TO THE 10" PIPE STUB.
- IF THE SIGHT INDICATOR WINDOW DISPLAYS RED, CHECK THE TANK FOR LEAKS.

SHEET TITLE:
**8" X10" SLIP FITTING
OPTION**

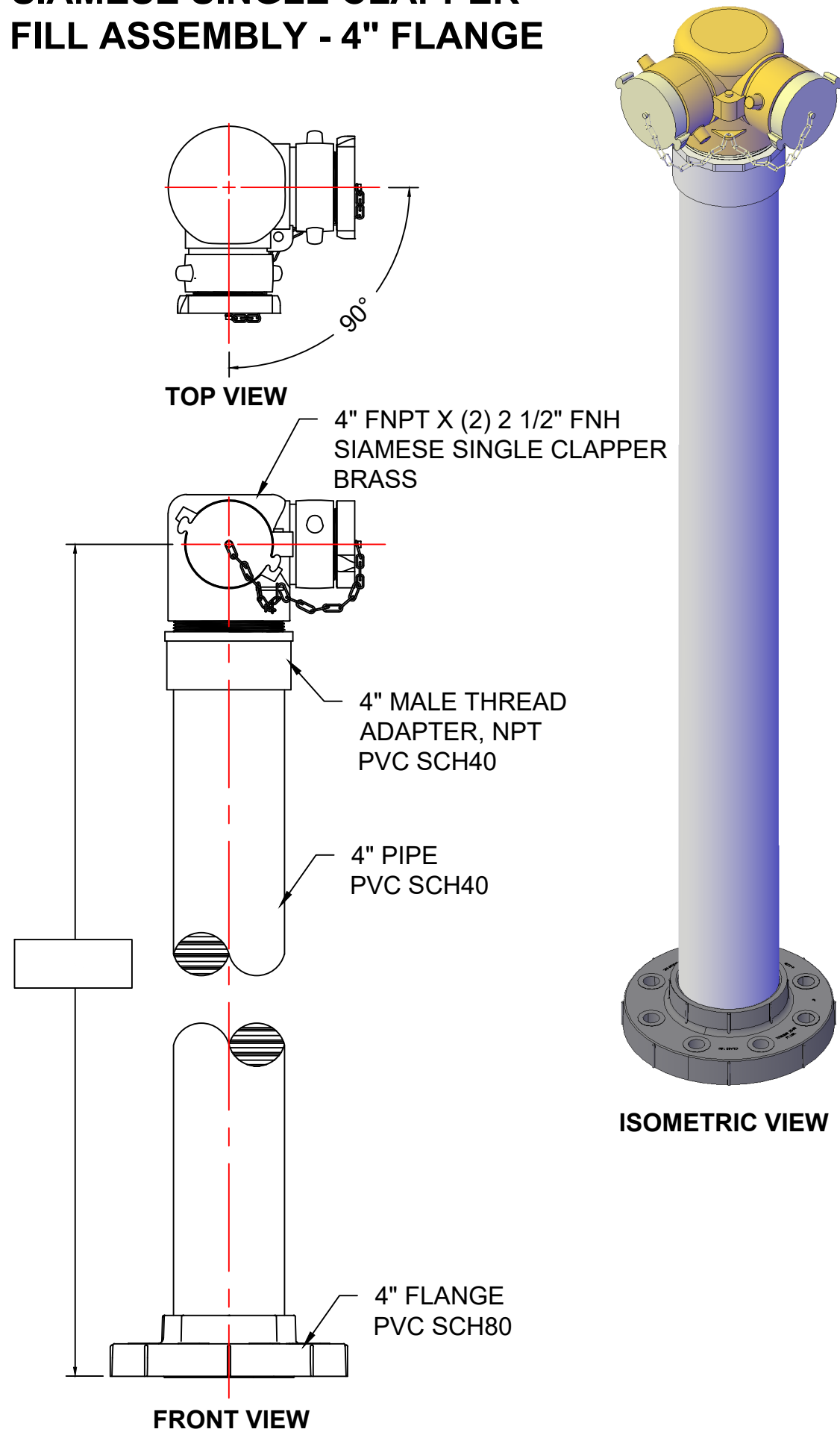
PROJECT NAME:
**8" PVC VENT &
LEVEL INDICATOR
ASSEMBLY**

DRAWN DATE: 01/23/22	DRAWN BY: JACK	REV. 01
--------------------------------	--------------------------	-------------------

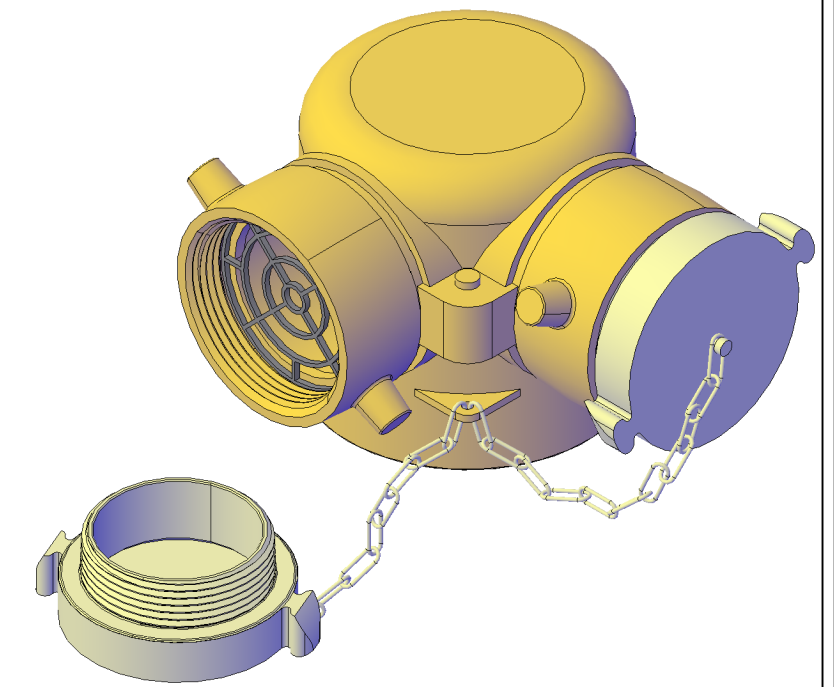
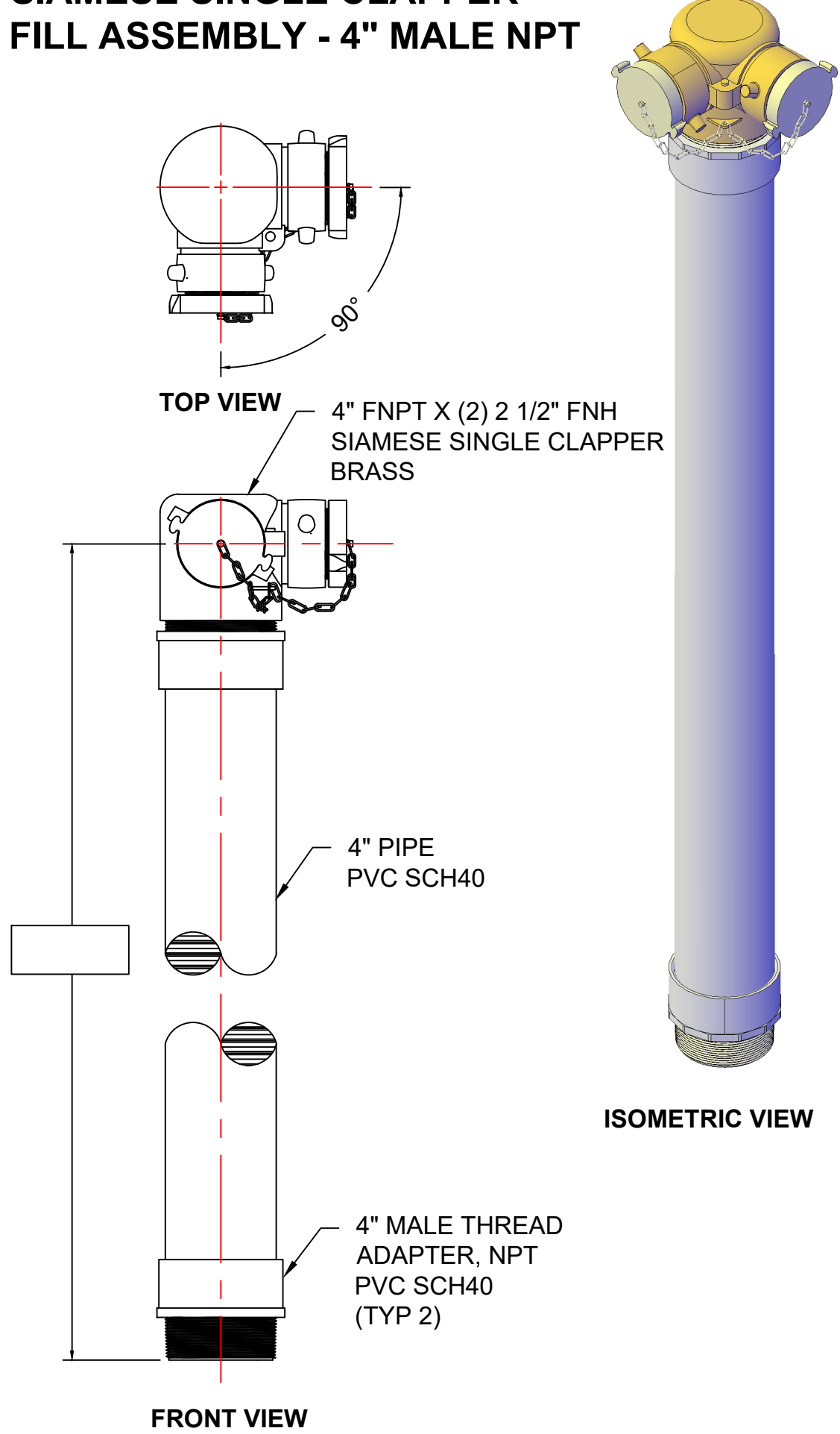
**Fiberglass Tank
SOLUTIONS**

Mailing: P.O. BOX 326, Montreal, MO 65591
MFG: 147 Opportunity Rd.,
Camdenton, MO 65020
P: 573-317-9620

**SIAMESE SINGLE CLAPPER
FILL ASSEMBLY - 4" FLANGE**



**SIAMESE SINGLE CLAPPER
FILL ASSEMBLY - 4" MALE NPT**

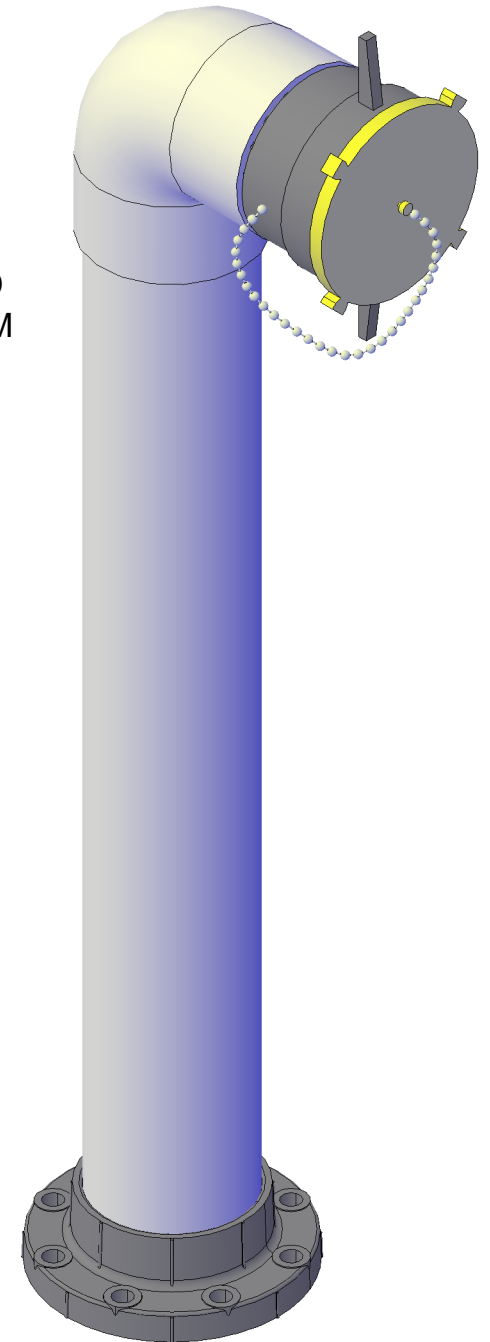
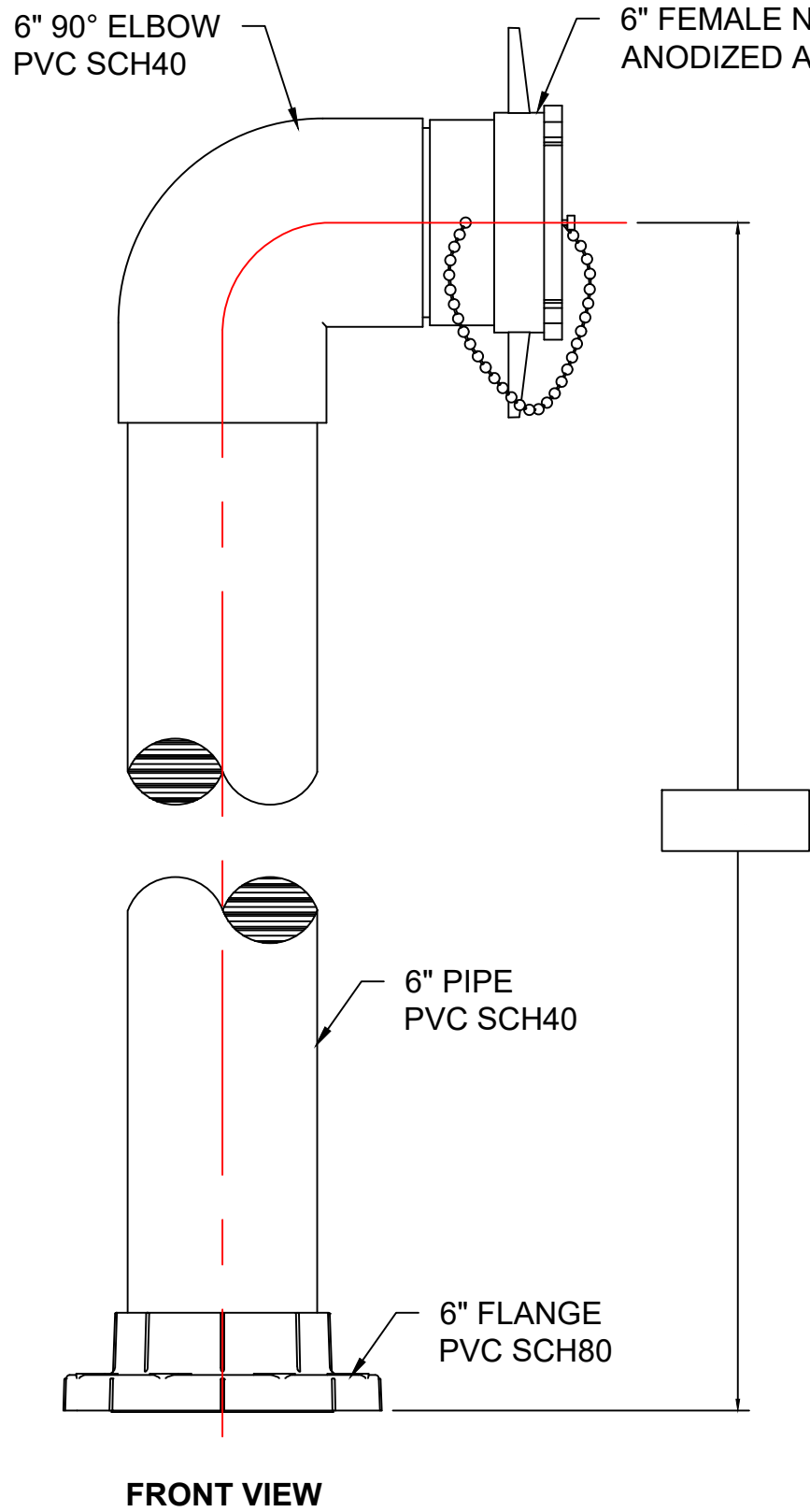


- SIAMESE**
- SINGLE CLAPPER
 - 4" FNPT X (2) 2 1/2" FNH
 - 4" BOTTOM FEED - SWING CHECK
 - FLAT PLATE STRAINERS INCLUDED
 - (2) 2 1/2" M PLUGS W/ CHAINS
 - BODY & PLUGS ARE BRASS

- NOTES:**
- ASSEMBLIES ARE BUILT TO CUSTOM HEIGHTS.
 - 4" FLANGES COME WITH GASKETS & SS304 HARDWARE.

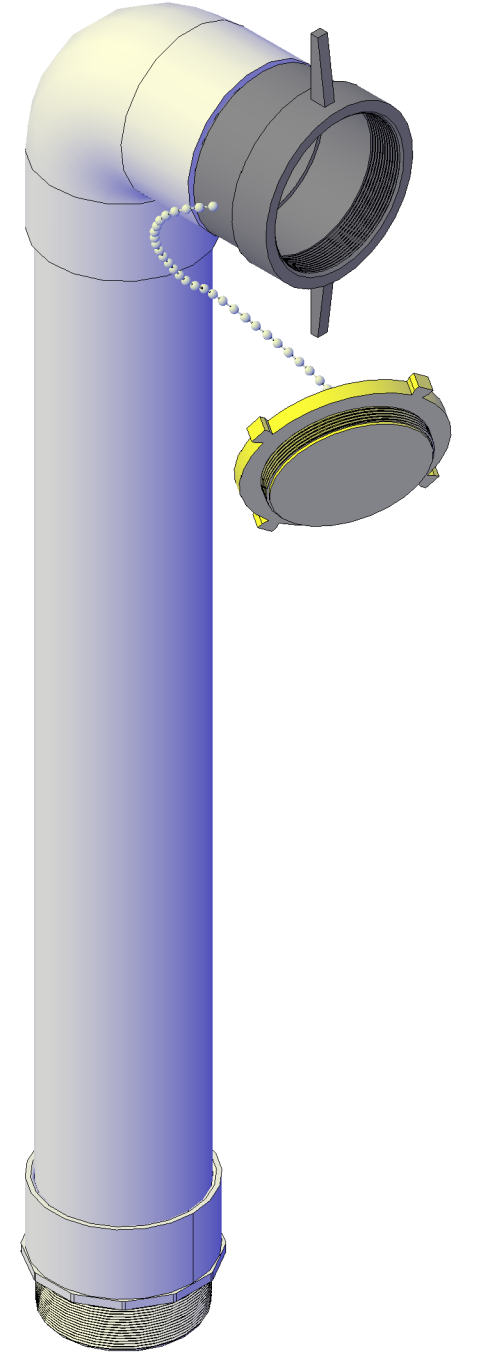
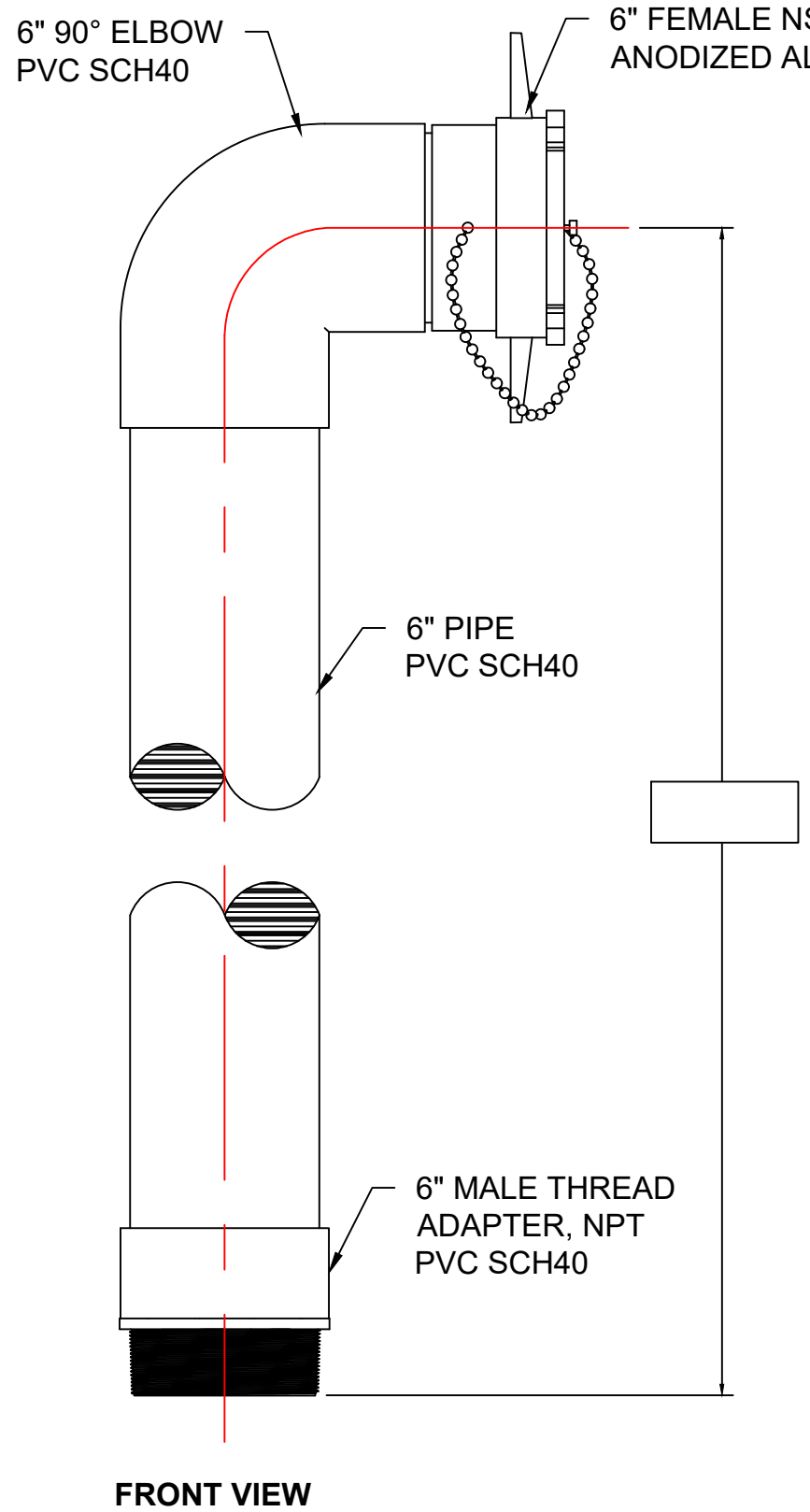
SHEET TITLE: SIAMESE SINGLE CLAPPER FILL ASSEMBLY		
PROJECT NAME: FIRE SUPPRESSION TANK ACCESSORIES		
DRAWN DATE: 02/10/23	DRAWN BY: JACK	REV. 00
Mailing: P.O. BOX 326, Montreal, MO 65591 MFG: 147 Opportunity Rd., Camdenton, MO 65020 P: 573-317-9620		

**DRY HYDRANT ASSEMBLY
6" FLANGE X 6" NST**

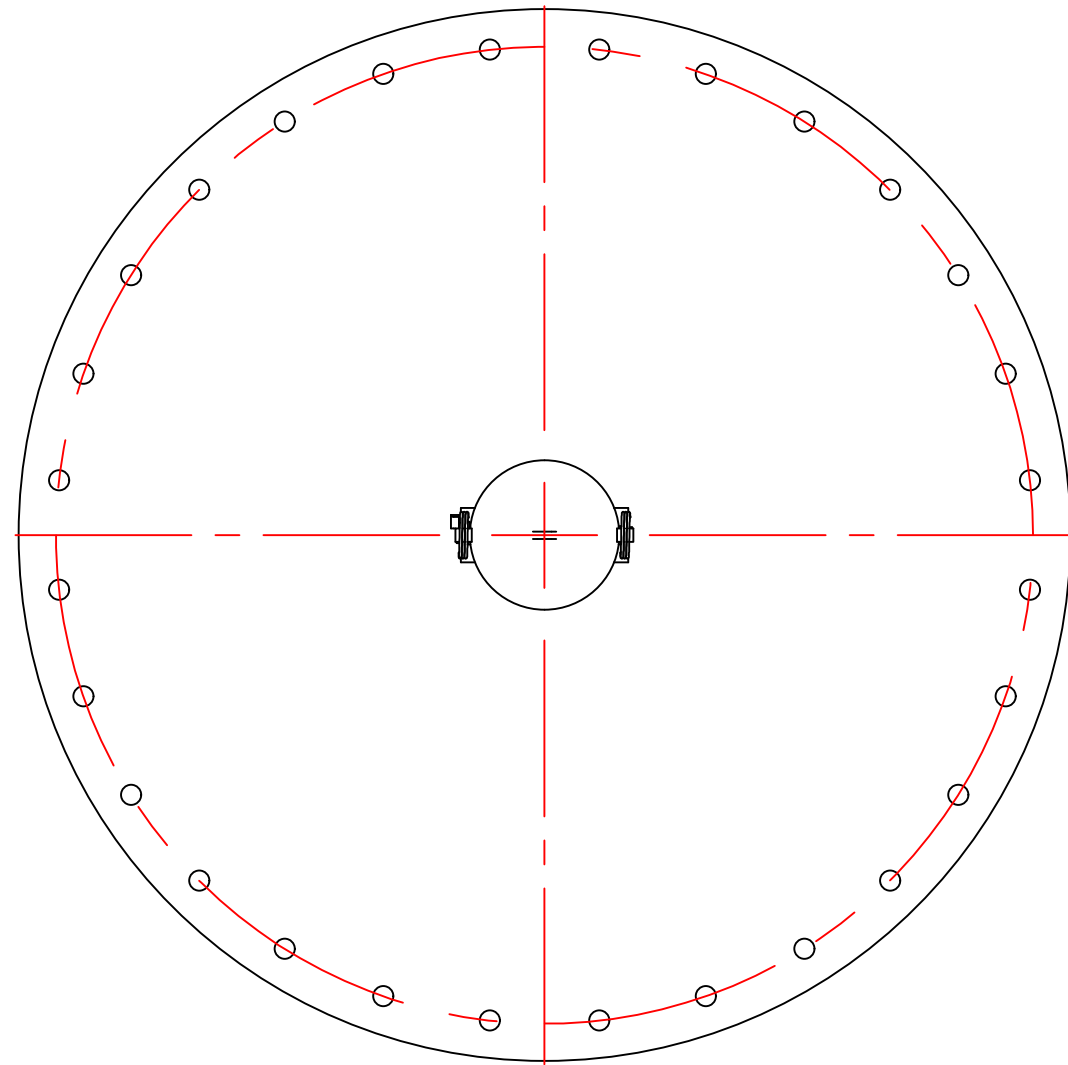


- NOTES:**
- ASSEMBLIES ARE BUILT TO CUSTOM HEIGHTS.
 - 6" FLANGES COME WITH GASKETS & SS304 HARDWARE.
 - CAP & CHAIN INCLUDED.
 - COMES WITH REMOVABLE STRAINER.

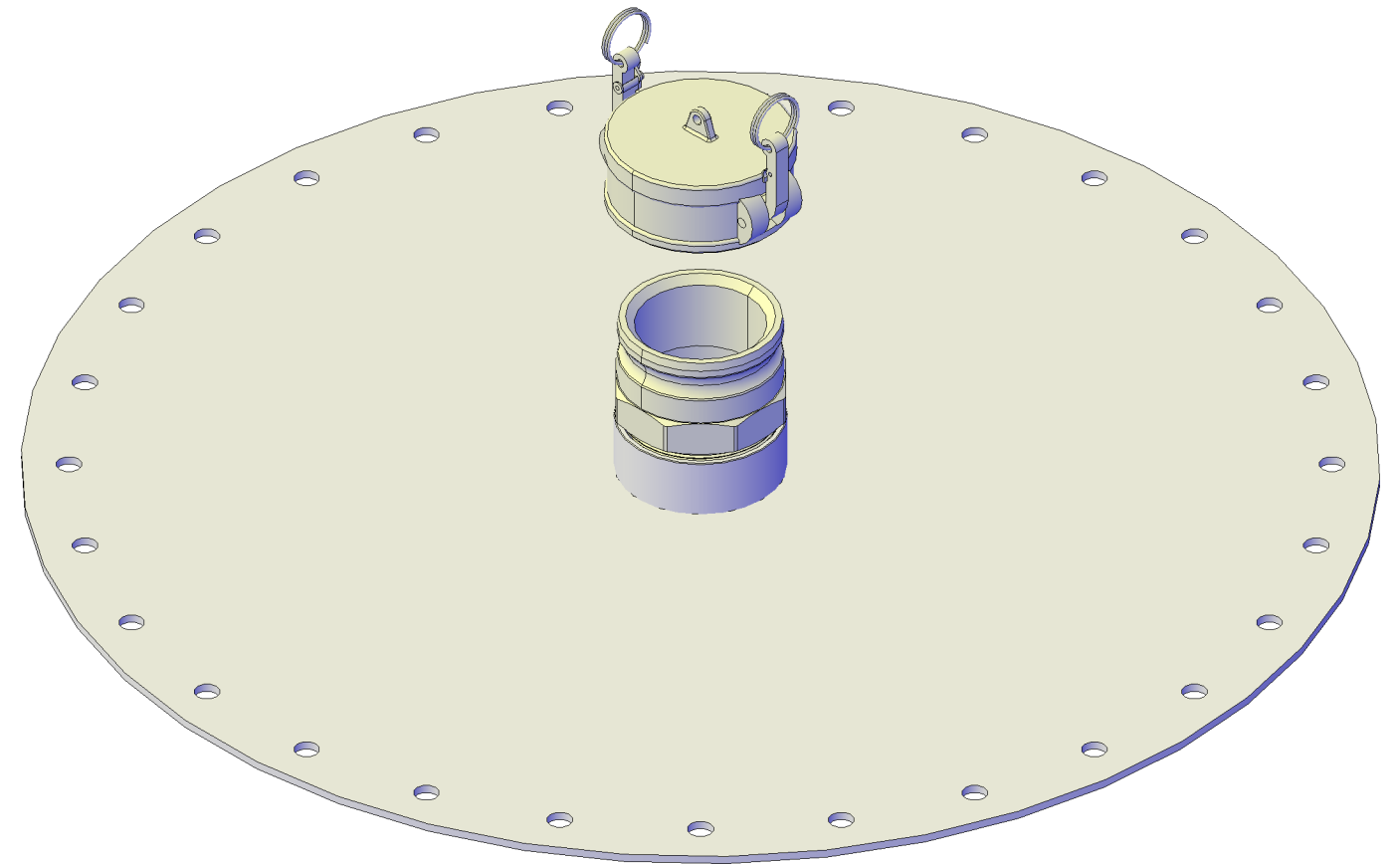
**DRY HYDRANT ASSEMBLY
6" NPT X 6" NST**



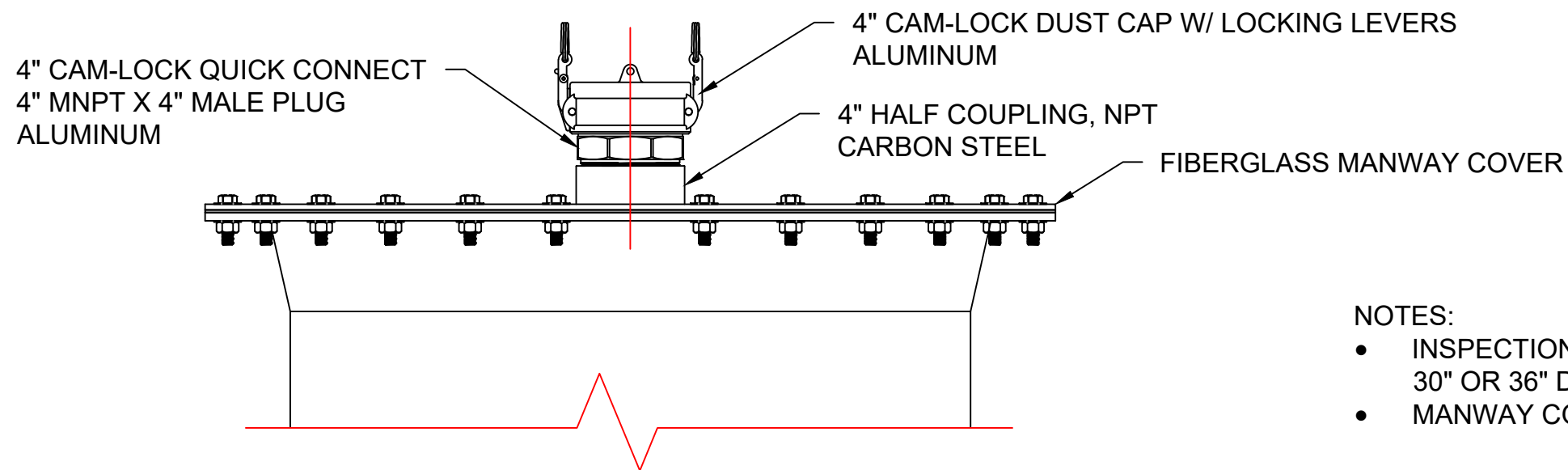
SHEET TITLE:		
DRY HYDRANT ASSEMBLY		
PROJECT NAME:		
FIRE SUPPRESSION TANK ACCESSORIES		
DRAWN DATE:	DRAWN BY:	REV.
02/10/23	JACK	00
		
Mailing: P.O. BOX 326, Montreal, MO 65591 MFG: 147 Opportunity Rd., Camdenton, MO 65020 P: 573-317-9620		



TOP VIEW



ISOMETRIC VIEW



FRONT VIEW

NOTES:

- INSPECTION HATCHES CAN BE INSTALLED ON 24", 30" OR 36" DIAMETER MANWAY COVERS.
- MANWAY COVERS ARE FIBERGLASS.

SHEET TITLE:		
4" LOCKABLE INSPECTION HATCH		
PROJECT NAME:		
FIRE SUPPRESSION TANK ACCESSORIES		
DRAWN DATE:	DRAWN BY:	REV.
02/10/23	JACK	00
		
Mailing: P.O. BOX 326, Montreal, MO 65591 MFG: 147 Opportunity Rd., Camdenton, MO 65020 P: 573-317-9620		