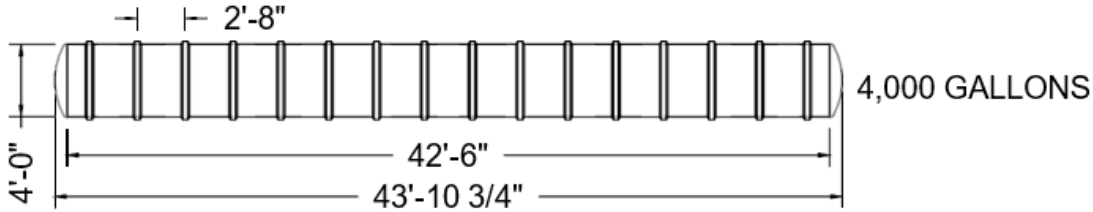
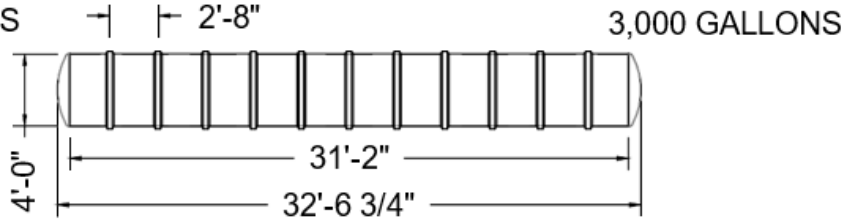
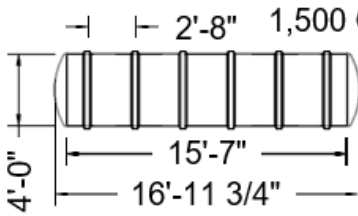
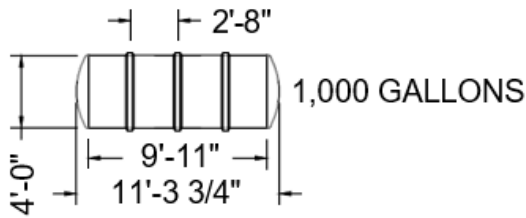
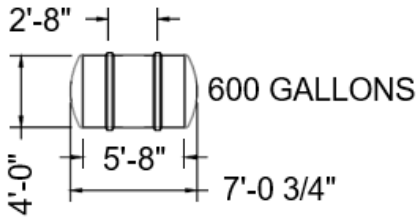


## Table of Contents

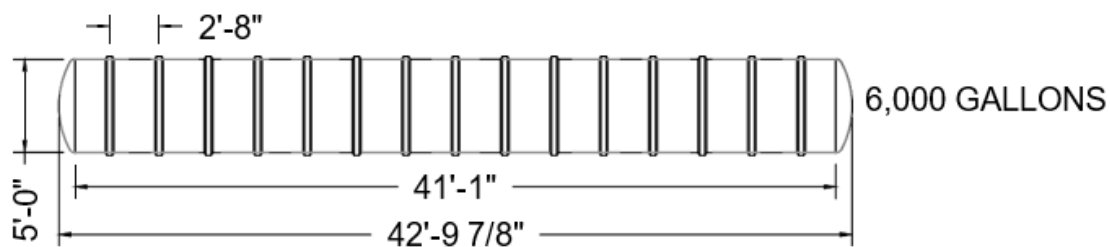
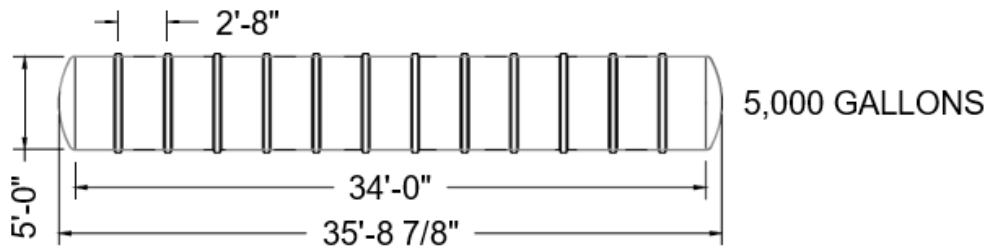
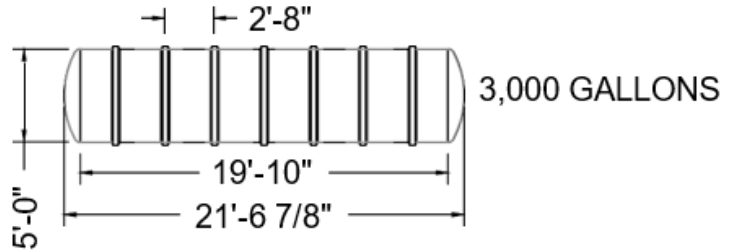
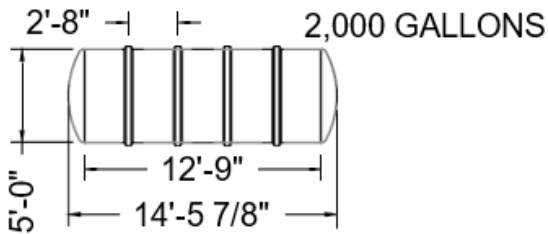
Quick Links to Sections

<b>Table of Contents .....</b>	<b>1</b>
<b>Tank Drawings &amp; Size Booklet: .....</b>	<b>2</b>
<b>Tank Info Sheet: .....</b>	<b>9</b>
<b>Specifications.....</b>	<b>12</b>
<b>Deadmen Data Sheets:.....</b>	<b>13</b>
<b>Accessories We Offer: .....</b>	<b>15</b>
<b>Project Profile: .....</b>	<b>20</b>
<b>Request For Quote Form: .....</b>	<b>22</b>
<b>Typical Applications: .....</b>	<b>24</b>
<b>Links to website: .....</b>	<b>25</b>
<b>Business Contact Information: .....</b>	<b>27</b>
<b>(IMOG) Installation Manual &amp; Operating Guide:.....</b>	<b>27</b>

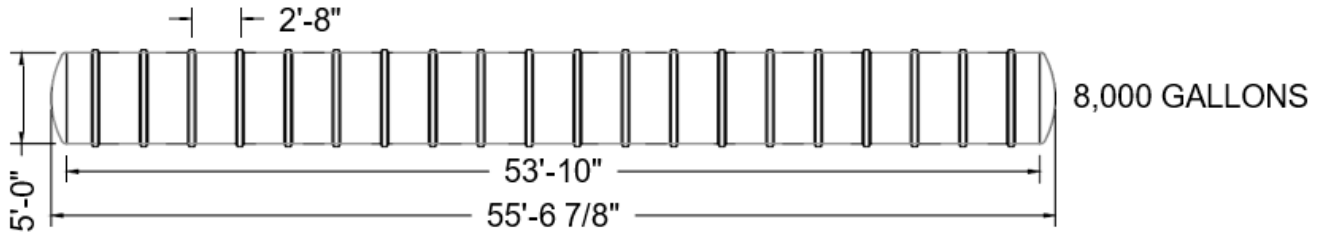
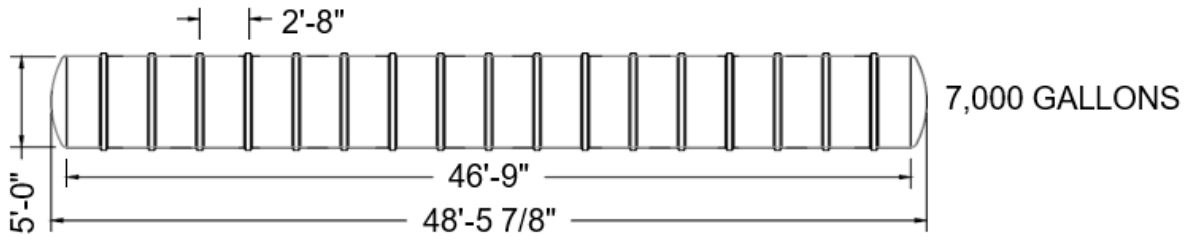
## 4-FOOT DIAMETER SINGLE - WALL TANKS



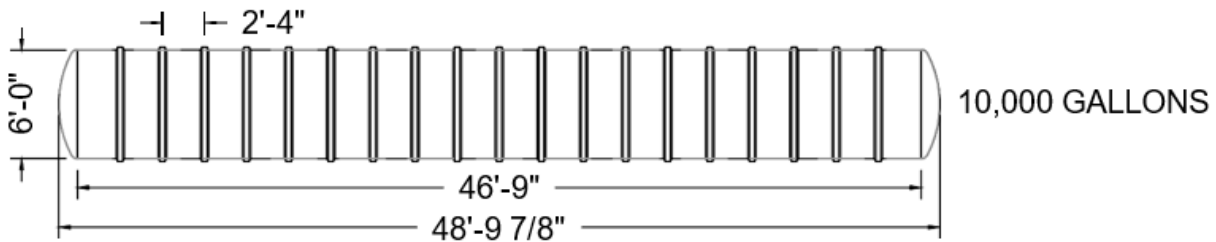
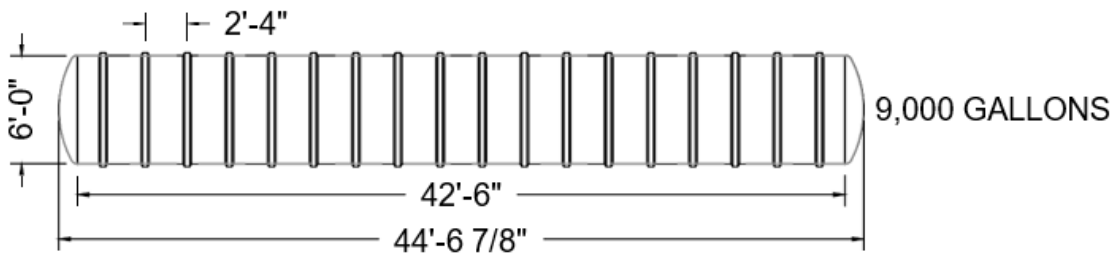
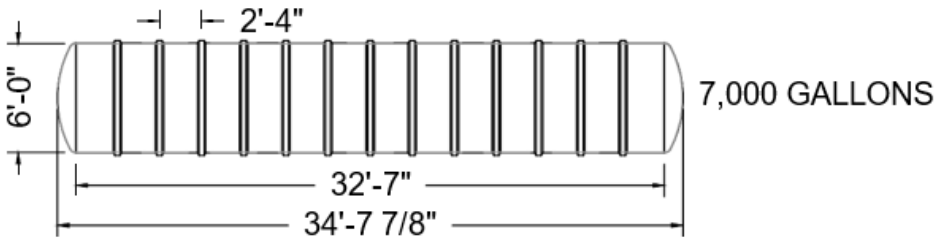
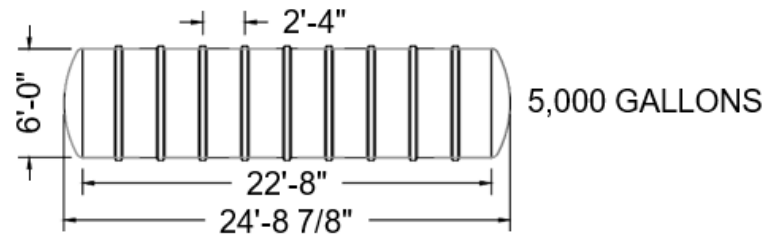
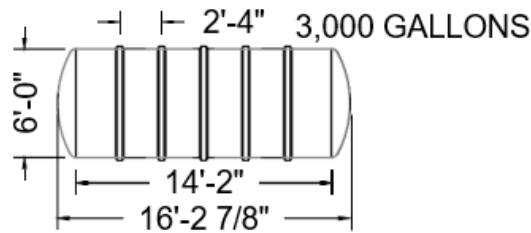
## 5-FOOT DIAMETER SINGLE - WALL TANKS



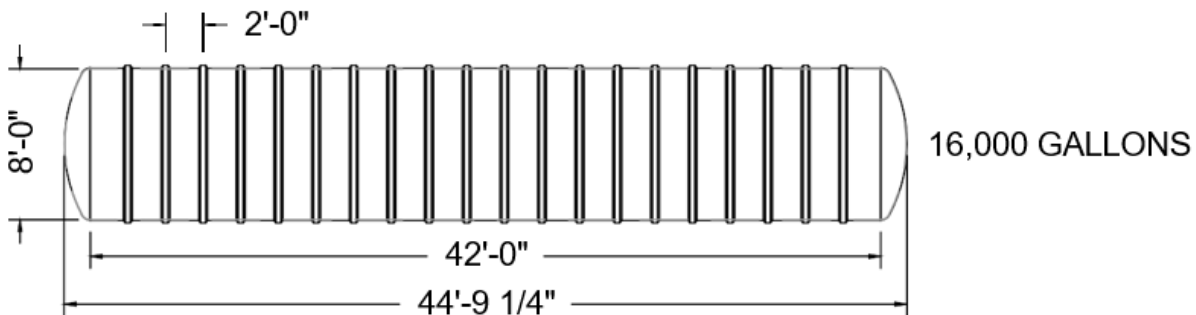
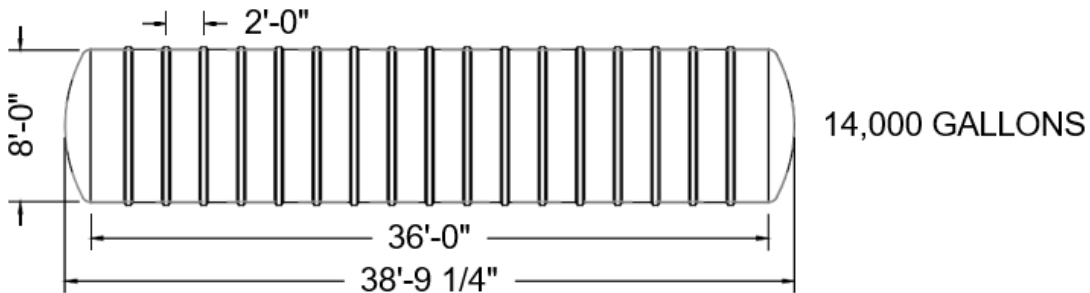
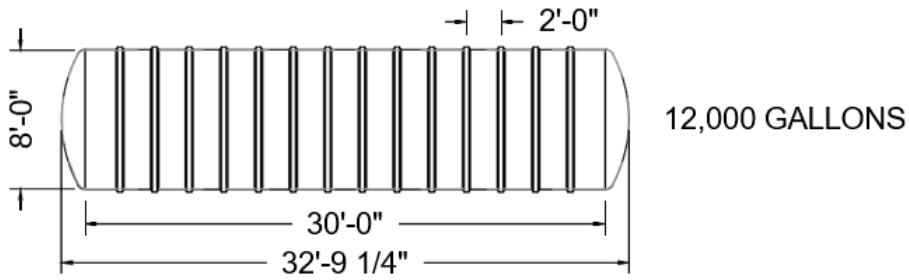
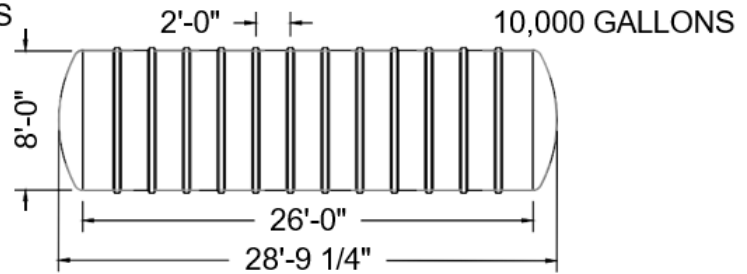
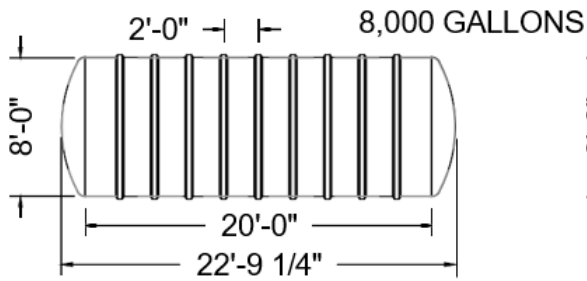
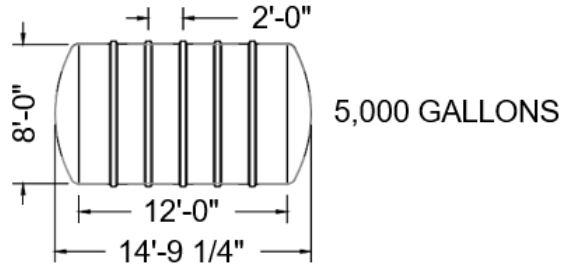
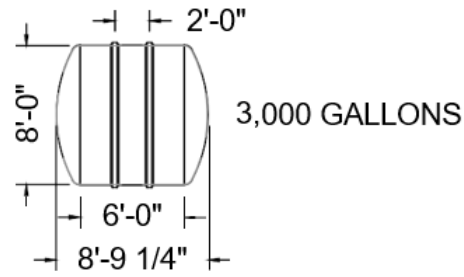
## 5-FOOT DIAMETER SINGLE - WALL TANKS



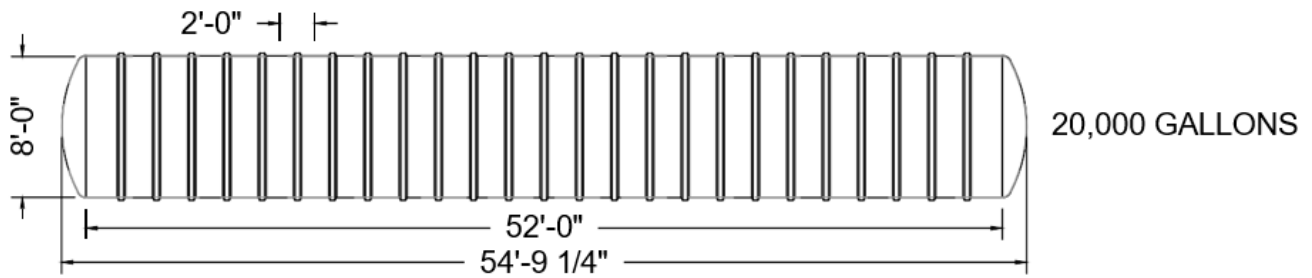
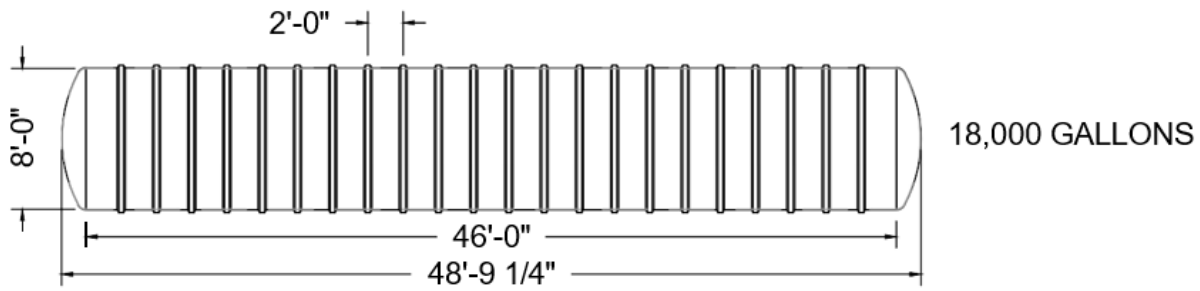
## 6-FOOT DIAMETER SINGLE - WALL TANKS



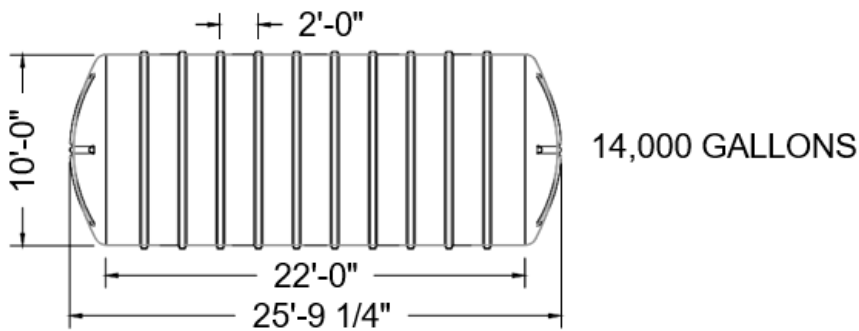
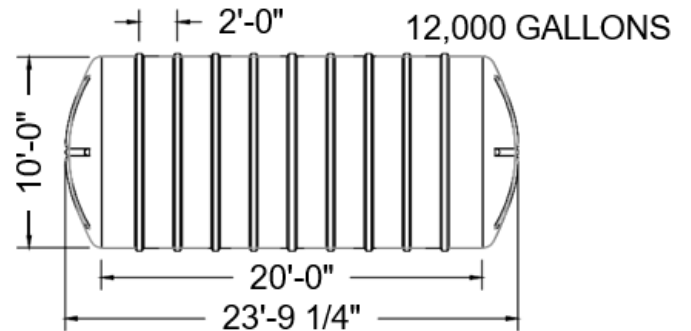
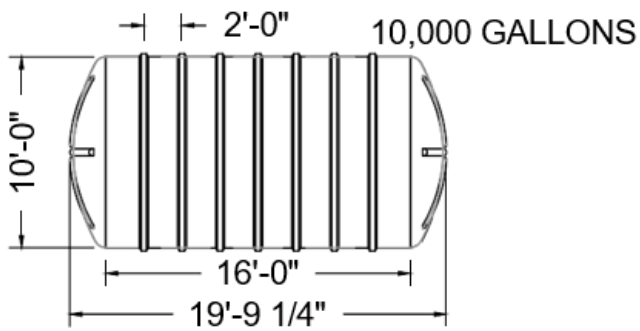
# 8-FOOT DIAMETER SINGLE - WALL TANKS

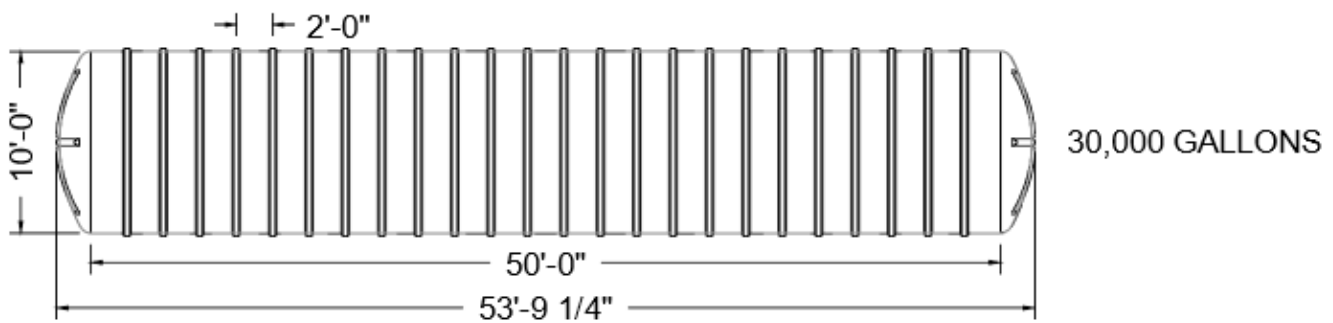
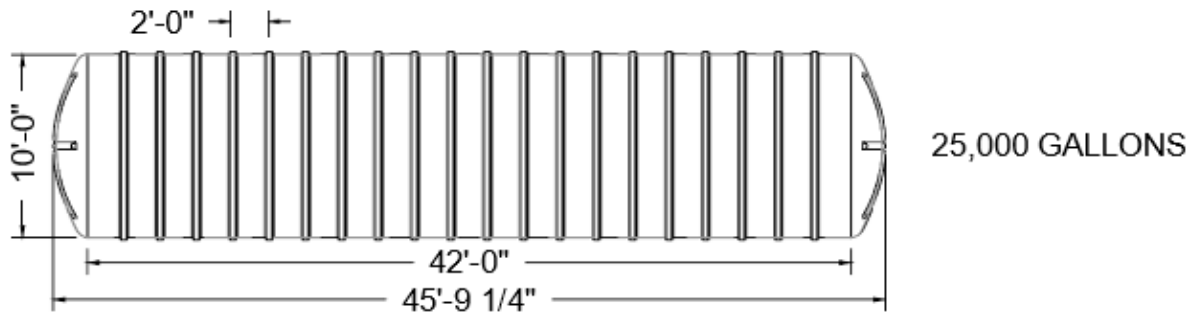
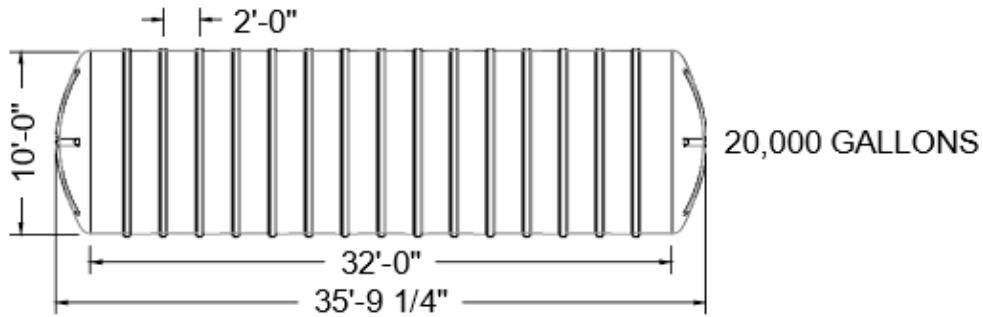
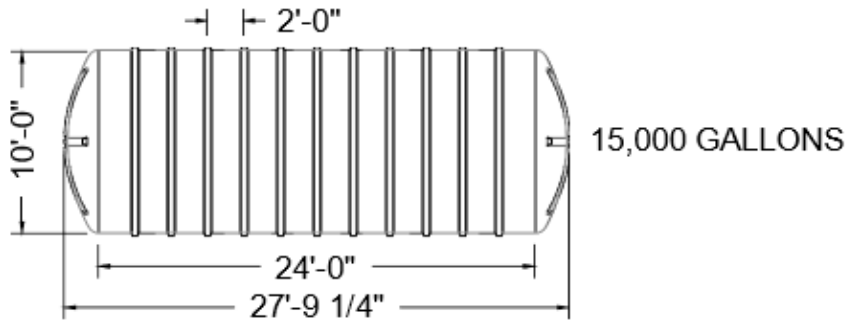


## 8-FOOT DIAMETER SINGLE - WALL TANKS

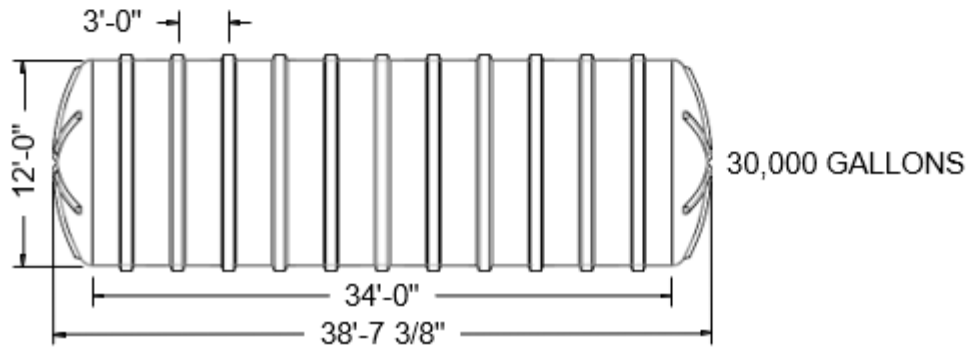
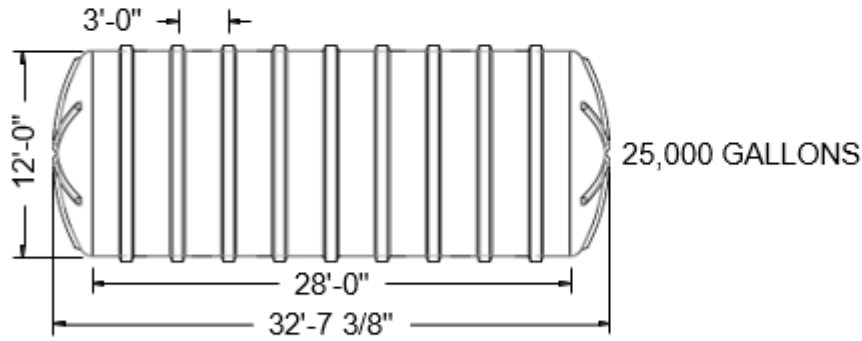
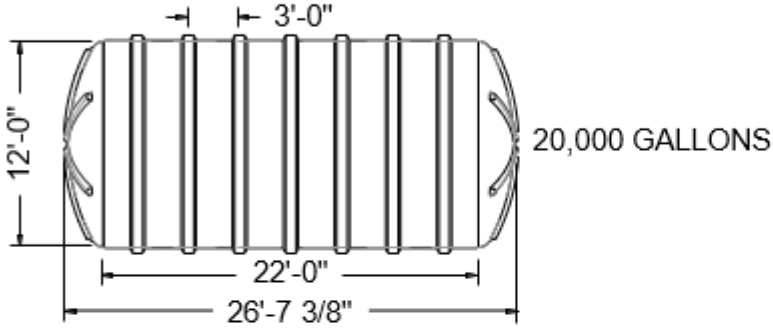
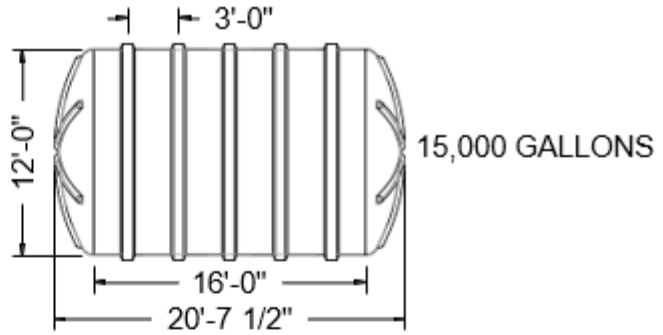
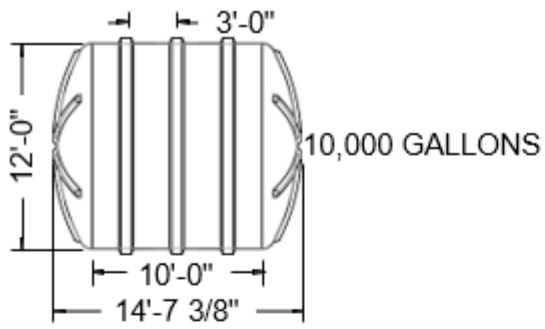


## 10-FOOT DIAMETER SINGLE - WALL TANKS

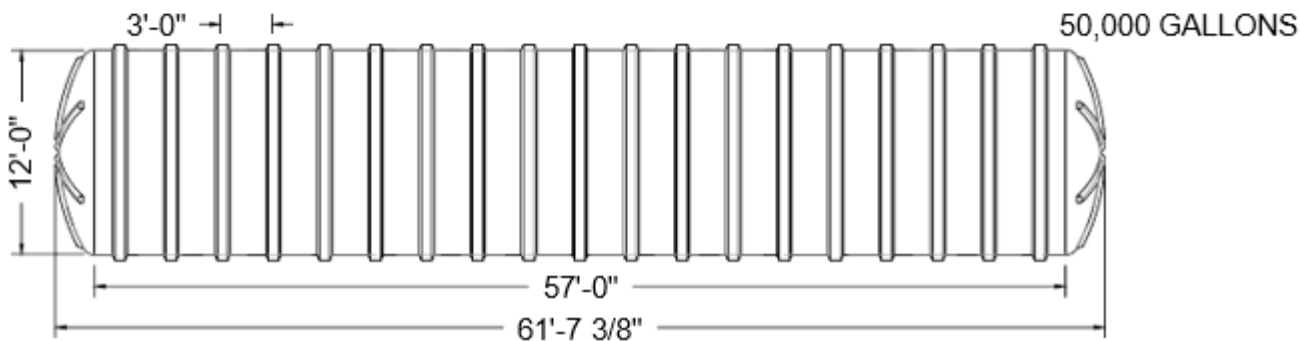
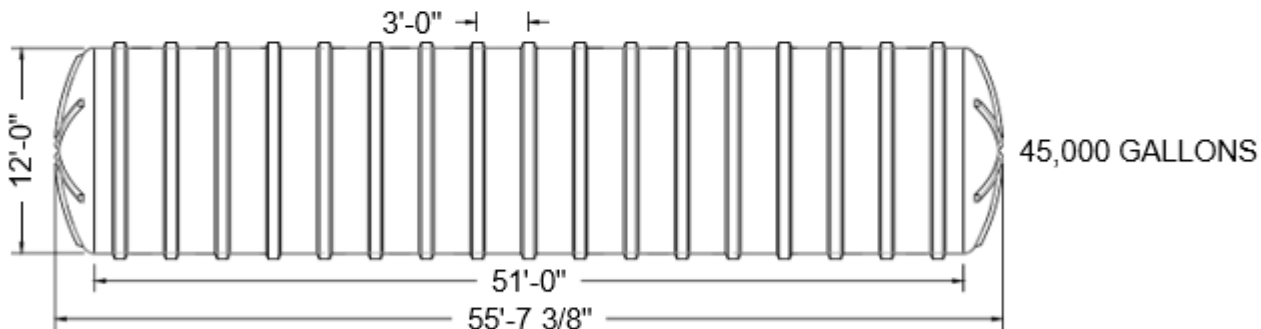
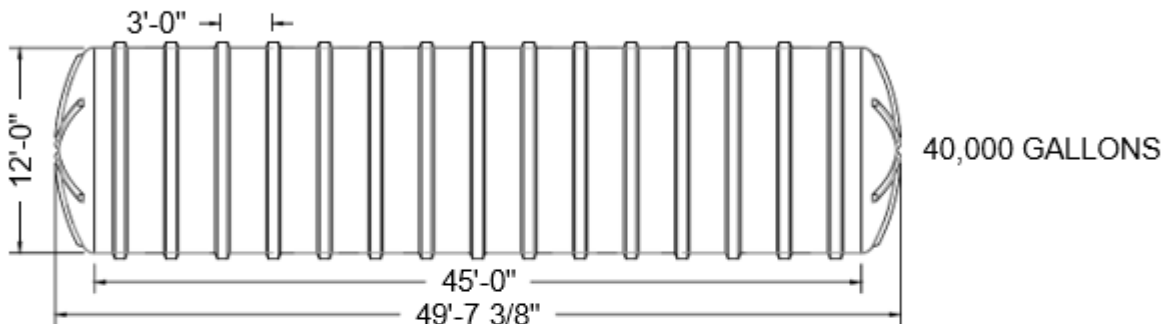
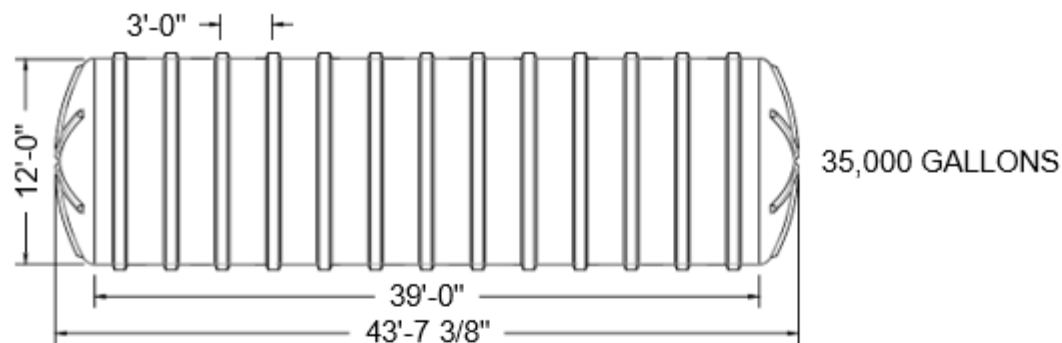




# 12-FOOT DIAMETER SINGLE - WALL TANKS



# 12-FOOT DIAMETER SINGLE - WALL TANKS





**Tank Info Sheet:**

Link: [UST-Information-Chart-1.6.21.pdf](http://UST-Information-Chart-1.6.21.pdf)



**Information Chart**  
**Single Wall Underground Storage Tanks**

Tank Diameter (Ft.)	Nominal Capacity (Gal.)	Actual Capacity (Gal.)	St. Wall Length (Ft./ In.)	Overall Length (Ft./ In.)	Estimated Weight (LBS)	Strap Qty
4 Ft.	600	610	5'-8"	7'-2"	298	2
	1,000	1,010	9'-11"	11'-5"	436	2
	1,500	1,542	15'-7"	17'-1"	641	2
	2,000	2,075	21'-3"	22'-8"	846	4
	2,500	2,608	26'-11"	28'-4"	1,072	4
	3,000	3,007	31'-2"	32'-7"	1,190	4
	3,500	3,540	36'-10"	38'-3"	1,395	6
	4,000	4,073	42'-6"	43'-11"	1,600	6
5 Ft.	1,500	1,608	9'-11"	11'-8"	565	2
	2,000	2,024	12' - 9"	14'-6"	693	2
	2,500	2,648	17'-0"	18'-9"	905	2
	3,000	3,065	19'-10"	21'-7"	1,033	2
	3,500	3,689	24'-1"	25'-10"	1,245	4
	4,000	4,105	26'-11"	28'-8"	1,373	4
	4,500	4,521	29'-9"	31'-6"	1,502	4
	5,000	5,145	34'-0"	35'-9"	1,674	4
	5,500	5,562	36'-10"	38'-7"	1,803	6
	6,000	6,186	41'-1"	42'-10"	2,014	6
	6,500	6,602	43'-11"	45'-8"	2,143	6
	7,000	7,018	46'-9"	48'-6"	2,271	6
	7,500	7,642	51'-0"	52'-9"	2,508	6
8,000	8,059	53'-10"	55'-7"	2,636	8	
6 Ft.	1,500	1,759	7'-1"	9'-5"	668	2
	2,000	2,059	8'-6"	10'-10"	748	2
	3,000	3,257	14'-2"	16'-6"	1,071	2
	4,000	4,156	18'-5"	20'-9"	1,313	2
	5,000	5,055	22'-8"	25'-0"	1,555	4
	6,000	6,253	28'-4"	30'-8"	1,878	4
	7,000	7,152	32'-7"	34'-11"	2,119	4
	8,000	8,051	36'-10"	39'-2"	2,362	4
	9,000	9,250	42'-6"	44'-10"	2,685	6
	10,000	10,149	46'-9"	49'-1"	2,926	6
8 Ft.	3,000	2,876	6'-0"	8'-9"	1,141	2
	4,000	4,380	10'-0"	12'-9"	1,627	2
	5,000	5,132	12'-0"	14'-9"	1,870	2
	6,000	5,884	14'-0"	16'-9"	2,112	2
	7,000	7,388	18'-0"	20'-9"	2,598	2
	8,000	8,140	20'-0"	22'-9"	2,841	4
	9,000	8,892	22'-0"	24'-9"	3,084	4

Tank Diameter (Ft.)	Nominal Capacity (Gal.)	Actual Capacity (Gal.)	St. Wall Length (Ft./ In.)	Overall Length (Ft./ In.)	Estimated Weight (LBS)	Strap Qty
8 Ft.	10,000	10,396	26'-0"	28'-9"	3,570	4
	11,000	11,148	28'-0"	30'-9"	3,813	4
	12,000	11,900	30'-0"	32'-9"	4,131	4
	13,000	13,404	34'-0"	36'-9"	4,617	6
	14,000	14,156	36'-0"	38'-9"	4,860	6
	15,000	14,908	38'-0"	40'-9"	5,103	6
	16,000	16,412	42'-0"	44'-9"	5,664	6
	17,000	17,164	44'-0"	46'-9"	5,907	6
	18,000	17,917	46'-0"	48'-9"	6,150	6
	19,000	19,421	50'-0"	42'-9"	6,636	6
	20,000	20,173	52'-0"	54'-9"	6,879	6
10 Ft.	7,000	7,087	10'-0"	13'-9"	2,376	4
	8,000	8,262	12'-0"	15'-9"	2,682	4
	9,000	9,437	14'-0"	17'-9"	2,988	4
	10,000	10,612	16'-0"	19'-9"	3,295	4
	11,000	11,787	18'-0"	21'-9"	3,601	4
	12,000	12,962	20'-0"	23'-9"	3,907	4
	13,000	12,962	20'-0"	23'-9"	3,907	4
	14,000	14,137	22'-0"	25'-9"	4,213	4
	15,000	15,312	24'-0"	27'-9"	4,519	6
	20,000	20,012	32'-0"	35'-9"	5,744	6
	25,000	25,887	42'-0"	45'-9"	7,275	8
	30,000	30,587	50'-0"	53'-9"	8,593	10
	35,000	35,288	58'-0"	61'-9"	9,818	10
	40,000	39,988	66'-0"	69'-9"	11,043	12
12 Ft.	10,000	10,543	10'-0"	14'-7"	4,198	4
	11,000	11,377	11'-0"	15'-7"	4,635	4
	12,000	12,222	12'-0"	16'-7"	4,786	4
	13,000	13,066	13'-0"	17'-7"	4,937	4
	14,000	14,755	15'-0"	19'-7"	5,525	4
	15,000	15,600	16'-0"	20'-7"	5,675	6
	16,000	16,444	17'-0"	21'-7"	6,112	6
	17,000	17,289	18'-0"	22'-7"	6,263	6
	18,000	18,133	19'-0"	23'-7"	6,414	6
	19,000	19,822	21'-0"	25'-7"	7,002	6
	20,000	20,666	22'-0"	26'-7"	7,152	6
	21,000	21,511	23'-0"	27'-7"	7,589	6
	22,000	22,355	24'-0"	28'-7"	7,740	6
	23,000	23,200	25'-0"	29'-7"	7,891	8
	24,000	24,044	26'-0"	30'-7"	8,328	8

Tank Diameter (Ft.)	Nominal Capacity (Gal.)	Actual Capacity (Gal.)	St. Wall Length (Ft./ In.)	Overall Length (Ft./ In.)	Estimated Weight (LBS)	Strap Qty.
12 ft.	25,000	25,733	28'-0"	32'-7"	8,780	8
	26,000	26,578	29'-0"	33'-7"	9,217	8
	27,000	27,422	30'-0"	34'-7"	9,368	8
	28,000	28,267	31'-0"	35'-7"	9,519	10
	29,000	29,111	32'-0"	36'-7"	9,956	10
	30,000	30,800	34'-0"	38'-7"	10,257	10
	31,000	31,644	35'-0"	39'-7"	10,694	10
	32,000	32,489	36'-0"	40'-7"	10,845	10
	33,000	33,333	37'-0"	41'-7"	10,996	10
	34,000	34,178	38'-0"	42'-7"	11,433	10
	35,000	35,022	39'-0"	43'-7"	11,583	10
	36,000	36,711	41'-0"	45'-7"	12,322	10
	37,000	37,556	42'-0"	46'-7"	12,473	10
	38,000	38,400	43'-0"	47'-7"	12,623	12
	39,000	39,245	44'-0"	48'-7"	13,061	12
	40,000	40,089	45'-0"	49'-7"	13,211	12
	41,000	41,778	47'-0"	51'-7"	13,799	12
	42,000	42,622	48'-0"	52'-7"	13,950	12
	43,000	43,467	49'-0"	53'-7"	14,101	14
	44,000	44,311	50'-0"	54'-7"	14,538	14
	45,000	45,156	51'-0"	55'-7"	14,688	14
	46,000	46,845	53'-0"	57'-7"	15,276	14
	47,000	47,689	54'-0"	58'-7"	15,578	14
	48,000	48,534	55'-0"	59'-7"	15,728	16-18
49,000	49,378	56'-0"	60'-7"	16,165	16-18	
50,000	50,223	57'-0"	61'-7"	16,316	16-18	

## Specifications

Link: [Fire Suppression Tank Specification](#)

### Brief Summary:



## General Specification

### Fire Suppression

### Fiberglass Underground Storage Tanks Single Wall or Double Wall

#### Short Form Specification

The contractor shall provide materials, labor, and expertise to install the underground tank and accessories as represented on the plans and drawings. The tank shall be a single wall (SW) or double wall (DW) fiberglass storage tank as shown on plans and in specifications. The tank shall be installed using the manufacturers engineered anti-flotation system. The tank and anti-flotation system shall be installed in accordance with the engineered plans, the manufacturers' installation guide, details, and drawings.

Submittal documents shall include scaled drawings in both plan, profile, and 3-D to properly illustrate the final product. Finite Element Analysis (FEA) of the underground tank structure & design features, along with buoyancy calculations for the given site conditions shall be provided. The FEA and buoyancy calculations shall be provided with a Professional Engineer's stamp for the State in which the tank is installed.

The contractor shall exhibit an expertise with a reference of three or more similar fiberglass underground tank installations. For contractors with less than three successful documented installations, the tank manufacturer shall provide "Training" to the contractor at additional fees to insure a successful tank installation. Key tank installation steps and backfill materials, as noted in the Manufacturers Installation Guide Checklist, shall be confirmed, and documented by the contractor. Final documents shall be provided with As-Built documentation as part of project closeout procedures.

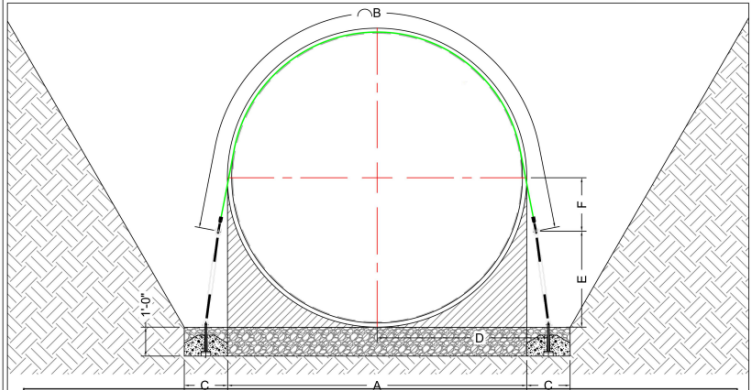
FRP Underground Tanks shall be supplied by **Fiberglass Tank Solutions, LLC** or approved equals.

Please open Link Above for all 10 pages of Specifications



# Deadmen Data Sheets:

Link: [Deadman Cut Sheet](#)



**ANCHORING DIMENSIONS**

TANK DIA.	"A"	"B"	"C"	"D"	"E"	"F"
4'	4'-4"	85"	12"	2'-8"	1'-10"	0'-4"
5'	5'-4"	111.5"	12"	3'-2"	2'-1"	0'-7"
6'	6'-4"	145"	12"	3'-8"	2'-0"	1'-3"
8'	8'-4"	181"	18"	4'-8"	3'-0"	1'-2"
10'	10'-4"	236"	18"	5'-11"	3'-4"	1'-10"
12'	12'-9"	300"	18"	7'-1"	3'-5"	2'-11"

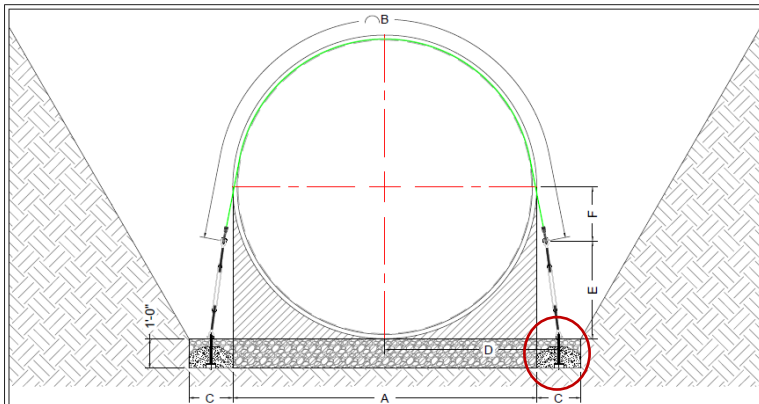
## Engineered Concrete Deadman Systems

- ENGINEERED DESIGN
- INDUSTRY STANDARD
- FULL LINE OF ACCESSORIES



(573) 317-9620  
www.fgtsolutions.com

147 Opportunity Rd.  
Camdenton, MO 65020



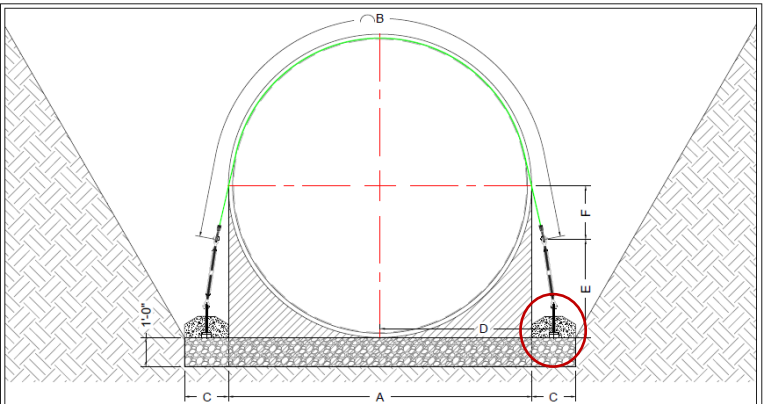
**ANCHORING DIMENSIONS**

TANK DIA.	"A"	"B"	"C"	"D"	"E"	"F"
4'	4'-4"	85"	12"	2'-8"	1'-10"	0'-4"
5'	5'-4"	111.5"	12"	3'-2"	2'-1"	0'-7"
6'	6'-4"	145"	12"	3'-8"	2'-0"	1'-3"
8'	8'-4"	181"	18"	4'-8"	3'-0"	1'-2"
10'	10'-4"	236"	18"	5'-11"	3'-4"	1'-10"
12'	12'-9"	300"	18"	7'-1"	3'-5"	2'-11"

PROJECT NAME  
**CONCRETE DEADMEN BELOW TANK BEDDING**

DRAWN DATE: 08/31/21 | DESIGNED BY: JACK | REV: 00

Mailing: P.O. BOX 326, Moberly, MO 65051  
147 Opportunity Rd., Camdenton, MO 65020  
P: 573-317-9620



**ANCHORING DIMENSIONS**

TANK DIA.	"A"	"B"	"C"	"D"	"E"	"F"
4'	N/A	N/A	N/A	N/A	N/A	N/A
5'	N/A	N/A	N/A	N/A	N/A	N/A
6'	N/A	N/A	N/A	N/A	N/A	N/A
8'	8'-4"	181"	18"	4'-8"	3'-1"	1'-2"
10'	10'-4"	236"	18"	5'-11"	3'-4"	1'-10"
12'	12'-9"	300"	18"	7'-1"	3'-5"	2'-11"

PROJECT NAME  
**CONCRETE DEADMEN ABOVE TANK BEDDING**

DRAWN DATE: 08/31/21 | DESIGNED BY: JACK | REV: 00

Mailing: P.O. BOX 326, Moberly, MO 65051  
147 Opportunity Rd., Camdenton, MO 65020  
P: 573-317-9620

ITEM DESCRIPTION	QTY	QTY	QTY	QTY	QTY	QTY	QTY	QTY	QTY	UNIT
12" X 12" X 12'-0" DEADMEN	2	2		4	2		4	2	2	EA
12" X 12" X 16'-0" DEADMEN			2			2	4			EA
12" X 12" X 18'-0" DEADMEN								4		EA
GALVANIZED ANCHOR POINTS	4	4	4	8	8	8	12	12	12	EA
<b>Ø4" TANKS BY VOLUME</b>	600	1,000	1,500	2,000	2,500	3,000	3,500	4,000		GAL

ITEM DESCRIPTION	QTY	QTY	QTY	QTY	QTY	QTY	QTY	QTY	QTY	QTY	UNIT
12" X 12" X 12'-0" DEADMEN	2		4	4	2		4	2	2	4	EA
12" X 12" X 16'-0" DEADMEN		2				2	4	4	4	6	EA
12" X 12" X 18'-0" DEADMEN			2							8	EA
GALVANIZED ANCHOR POINTS	4	4	4	4	8	8	8	8	12	12	EA
<b>Ø5" TANKS BY VOLUME</b>	1,500	2,000	2,500	3,000	3,500	4,000	4,500	5,000	5,500	6,000	GAL

ITEM DESCRIPTION	QTY	QTY	QTY	QTY	QTY	QTY	QTY	QTY	QTY	QTY	UNIT
12" X 12" X 12'-0" DEADMEN	2	2		2		4			2		EA
12" X 12" X 16'-0" DEADMEN				2			4		4		EA
12" X 12" X 18'-0" DEADMEN					2			4		4	EA
GALVANIZED ANCHOR POINTS	4	4	4	4	4	8	8	8	12	12	EA
<b>Ø6" TANKS BY VOLUME</b>	1,500	2,000	2,500	3,000	3,500	4,000	4,500	5,000	5,500	6,000	GAL

ITEM DESCRIPTION	QTY	QTY	QTY	QTY	QTY	QTY	QTY	QTY	QTY	QTY	UNIT
12" X 12" X 12'-0" DEADMEN	2	2		2		4	4	4	4	4	EA
12" X 12" X 16'-0" DEADMEN			2			2	4	4	4	2	EA
12" X 12" X 18'-0" DEADMEN											EA
GALVANIZED ANCHOR POINTS	4	4	4	4	8	8	8	8	8	12	EA
<b>Ø8" TANKS BY VOLUME</b>	3,000	4,000	5,000	6,000	7,000	8,000	9,000	10,000	11,000	12,000	GAL

ITEM DESCRIPTION	QTY	QTY	QTY	QTY	QTY	QTY	QTY	QTY	QTY	QTY	UNIT
8 3/4" X 18" X 14'-0" DEADMEN	2	2	2		4	4	4	4	4	4	EA
8 3/4" X 18" X 18'-0" DEADMEN										2	EA
8 3/4" X 18" X 22'-0" DEADMEN				2	2	2	2	2	4	4	EA
GALVANIZED ANCHOR POINTS	8	8	8	8	8	8	8	8	12	12	EA
<b>Ø10" TANKS BY VOLUME</b>	7,000	8,000	9,000	10,000	11,000	12,000	13,000	14,000	15,000	16,000	GAL

ITEM DESCRIPTION	QTY	QTY	QTY	QTY	QTY	QTY	QTY	QTY	QTY	QTY	UNIT
8 3/4" X 18" X 14'-0" DEADMEN	4	4	2		4	4	4	4			EA
8 3/4" X 18" X 18'-0" DEADMEN				4	2	2	6	4	4	4	EA
8 3/4" X 18" X 22'-0" DEADMEN											EA
GALVANIZED ANCHOR POINTS	16	16	20	24	24	28	36	40	40	40	EA
<b>Ø12" TANKS BY VOLUME</b>	20,000	25,000	30,000	35,000	40,000	45,000	50,000	55,000	60,000		GAL

### Concrete Deadmen: Precast Process

TANK SIZE (GALLONS)	QTY	"L"	APPROXIMATE WEIGHT EACH
Ø4" X 600	2	12'	1,800 LBS
Ø4" X 1,000	2	12'	1,800 LBS
Ø4" X 1,500	2	16'	2,400 LBS
Ø4" X 2,000	4	12'	1,800 LBS
Ø4" X 2,500	2	12'	1,800 LBS
Ø4" X 3,000	4	16'	2,400 LBS
Ø4" X 3,500	4	16'	2,700 LBS
Ø4" X 4,000	4	16'	2,400 LBS
Ø5" X 1,500	2	12'	1,800 LBS
Ø5" X 2,000	2	16'	2,400 LBS
Ø5" X 2,500	2	16'	2,700 LBS
Ø5" X 3,000	4	12'	1,800 LBS
Ø5" X 3,500	4	12'	1,800 LBS
Ø5" X 4,000	2	12'	1,800 LBS
Ø5" X 4,500	4	16'	2,400 LBS
Ø5" X 5,000	4	16'	2,700 LBS
Ø5" X 5,500	4	12'	1,800 LBS
Ø5" X 6,000	2	12'	1,800 LBS
Ø5" X 6,500	4	16'	2,400 LBS
Ø5" X 7,000	6	16'	2,700 LBS
Ø5" X 8,000	4	16'	2,400 LBS
Ø6" X 1,500	2	12'	1,800 LBS
Ø6" X 2,000	2	12'	1,800 LBS
Ø6" X 2,500	2	12'	1,800 LBS
Ø6" X 3,000	2	16'	2,400 LBS
Ø6" X 4,000	2	16'	2,700 LBS
Ø6" X 5,000	4	12'	1,800 LBS
Ø6" X 6,000	4	16'	2,400 LBS
Ø6" X 7,000	4	16'	2,700 LBS
Ø6" X 8,000	4	16'	2,700 LBS
Ø6" X 9,000	2	12'	1,800 LBS
Ø6" X 9,000	4	16'	2,400 LBS
Ø6" X 10,000	4	16'	2,400 LBS
Ø6" X 10,000	2	12'	1,800 LBS
Ø6" X 11,000	4	16'	2,400 LBS

TANK SIZE (GALLONS)	QTY	"L"	APPROXIMATE WEIGHT EACH
Ø8" X 12,000	4	16'	2,400 LBS
Ø8" X 13,000	4	12'	1,800 LBS
Ø8" X 14,000	4	12'	1,800 LBS
Ø8" X 15,000	4	12'	1,800 LBS
Ø8" X 16,000	4	16'	2,400 LBS
Ø8" X 17,000	6	16'	2,400 LBS
Ø8" X 18,000	8	12'	1,800 LBS
Ø8" X 19,000	4	12'	1,800 LBS
Ø8" X 20,000	4	12'	1,800 LBS
Ø8" X 20,000	4	16'	2,400 LBS
Ø10" X 7,000	2	18'	2,400 LBS
Ø10" X 8,000	2	18'	2,400 LBS
Ø10" X 9,000	2	12'	1,800 LBS
Ø10" X 10,000	2	22'	3,000 LBS
Ø10" X 11,000	2	22'	3,000 LBS
Ø10" X 12,000	2	22'	3,000 LBS
Ø10" X 13,000	4	14'	1,900 LBS
Ø10" X 14,000	4	14'	1,900 LBS
Ø10" X 15,000	4	14'	1,900 LBS
Ø10" X 16,000	4	18'	2,400 LBS
Ø10" X 17,000	4	18'	2,400 LBS
Ø10" X 18,000	4	18'	2,400 LBS
Ø10" X 20,000	4	18'	2,400 LBS
Ø10" X 22,000	4	22'	3,000 LBS
Ø10" X 25,000	2	18'	2,400 LBS
Ø10" X 25,000	2	18'	2,400 LBS
Ø10" X 30,000	6	18'	2,400 LBS
Ø10" X 35,000	2	18'	2,400 LBS
Ø10" X 40,000	8	16'	2,400 LBS
Ø10" X 45,000	4	22'	3,000 LBS
Ø10" X 50,000	8	22'	3,000 LBS
Ø12" X 20,000	4	14'	1,900 LBS
Ø12" X 25,000	4	18'	2,400 LBS
Ø12" X 30,000	2	22'	3,000 LBS
Ø12" X 35,000	4	22'	3,000 LBS
Ø12" X 40,000	2	22'	3,000 LBS
Ø12" X 45,000	4	18'	2,400 LBS
Ø12" X 50,000	6	22'	3,000 LBS
Ø12" X 55,000	4	14'	1,900 LBS
Ø12" X 60,000	4	22'	3,000 LBS

**FIBERGLASS TANK SOLUTIONS PRECAST DEADMEN SPECIFICATIONS**

- FTS DEADMEN ARE ENGINEERED AND DESIGNED TO BE USED WITH FTS TANKS.
- IN MULTIPLE TANK INSTALLATIONS EACH TANK REQUIRES ITS OWN SET OF DEADMEN
- FOR CAST IN PLACE OR DEADMEN CONSTRUCTED OFF SITE, REFER TO FTS INSTALLATION MANUAL AND OPERATING GUIDELINES FOR PROPER SIZING AND ANCHOR POINT SPECIFICATIONS.

### Anti-Floatation Straps

TANK SIZE	STRAP LENGTH "L"
4" DIA.	85"
5" DIA.	111.5"
6" DIA.	145"
8" DIA.	181"
10" DIA.	236"
12" DIA.	300"

### Anti-Floatation Turnbuckles

TANK SIZE & APPLICATION	TURNBUCKLE SIZE
Ø4" TANK W/ CONCRETE DEADMEN ABOVE BEDDING	N/A
Ø4" TANK W/ CONCRETE DEADMEN BELOW BEDDING	3/4" X 9"
Ø5" TANK W/ CONCRETE DEADMEN ABOVE BEDDING	N/A
Ø5" TANK W/ CONCRETE DEADMEN BELOW BEDDING	3/4" X 9"
Ø6" TANK W/ CONCRETE DEADMEN ABOVE BEDDING	N/A
Ø6" TANK W/ CONCRETE DEADMEN BELOW BEDDING	3/4" X 9"
Ø8" TANK W/ CONCRETE DEADMEN ABOVE BEDDING	3/4" X 12"
Ø8" TANK W/ CONCRETE DEADMEN BELOW BEDDING	N/A
Ø10" TANK W/ CONCRETE DEADMEN ABOVE BEDDING	3/4" X 18"
Ø10" TANK W/ CONCRETE DEADMEN BELOW BEDDING	3/4" X 18"
Ø12" TANK W/ CONCRETE DEADMEN ABOVE BEDDING	3/4" X 18"
Ø12" TANK W/ CONCRETE DEADMEN BELOW BEDDING	3/4" X 18"



## Accessories We Offer:

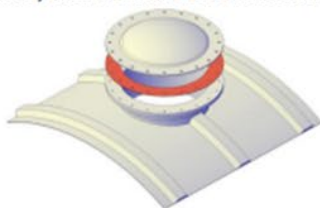
Link: [New Fire Suppression Accessories](#)

Link: [All FTS Accessories](#)

### Tank Accessories and Fittings

#### Manways

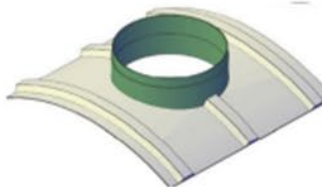
Manways are flanged with an ANSI 150 bolt pattern. Manways come with a blank (no fittings) cover, EPDM gasket, and stainless steel hardware.



Size	QTY
24" I.D.	
30" I.D.	
36" I.D.	

#### Access Openings

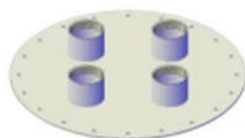
A one rib spacing is required between multiple access openings on a tank. Special considerations must be taken for customer supplied risers.



Size	QTY
24" Dia.	
30" Dia.	
36" Dia.	
42" Dia.	
48" Dia.	

#### Manway Cover NPT Fittings

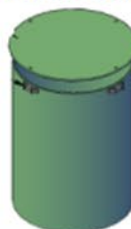
National Pipe Thread (NPT) fittings in manway cover.



Size	Half-Coupling	Full-Coupling
2"		
4"		
6"		
8"		

#### Fiberglass Risers with Bolt on Lids

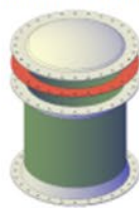
Fiberglass risers include a gasketed lid, self-tapping screws, bolt catches, and an adhesive bonding kit.



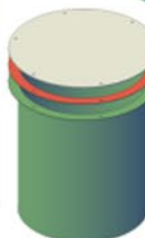
Size	24" I.D.	30" I.D.
2 ft Tall		
3 ft Tall		
4 ft Tall		
5 ft Tall		
6 ft Tall		

#### Manway Extensions

Includes EPDM gasket and stainless steel hardware.



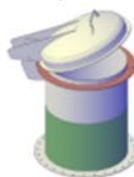
Size	24" I.D.	30" I.D.	36" I.D.
2 ft Tall			
3 ft Tall			
4 ft Tall			
5 ft Tall			
6 ft Tall			



Size	36" I.D.	42" I.D.	48" I.D.
2 ft Tall			
3 ft Tall			
4 ft Tall			
5 ft Tall			
6 ft Tall			

#### Hinged and Lockable Manway Extensions

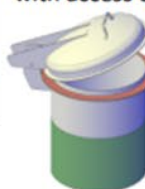
Includes EPDM gasket and has a mist gray gel-coat on the top 18" for UV protection. For use with Manways.



Size	24" I.D.	30" I.D.	36" I.D.
3 ft Tall			
4 ft Tall			
5 ft Tall			
6 ft Tall			

#### Hinged and Lockable Fiberglass Risers

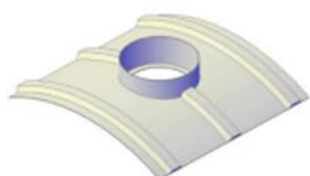
Includes EPDM gasket, adhesive bonding kit, and a mist gray gel-coat on the top 18" for UV protection. For use with access openings.



Size	24" I.D.	30" I.D.	36" I.D.
3 ft Tall			
4 ft Tall			
5 ft Tall			
6 ft Tall			

#### Access Openings with Internal Flange

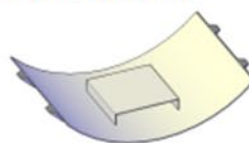
A one rib spacing is required between multiple access openings on a tank.



Size	QTY
24"	
30"	

#### Pump Platforms

For pumps up to 300 lbs.

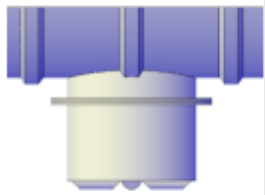


Size	QTY
24" x 24"	
24" x 36"	
30" x 30"	
36" x 36"	

## Tank Accessories and Fittings

### Flanged Bottom Sumps

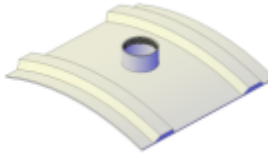
Bottoms sumps require field installation. Includes EPDM gasket and stainless steel hardware.



Size	QTY
30" I.D. x 14" Deep	
30" I.D. x 26" Deep	
30" I.D. x 36" Deep	
30" I.D. x 48" Deep	
48" I.D. x 48" Deep	

### Tank Mounted NPT Fittings

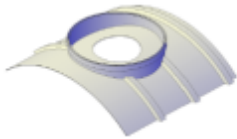
Female threaded couplings



Size	Half-Coupling	Full-Coupling
2"		
4"		
6"		
8"		

### Single-Wall Containment Collars

Containment collars can be ordered to surround fittings or a manway. May affect strap locations.



Size	QTY
42" Dia. x 6" Tall	
48" Dia. x 6" Tall	

### Straight Pipe Stubs, PVC or FRP

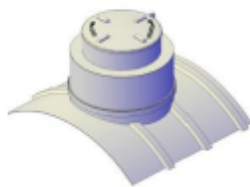
All potable water tank fittings must be FRP. All pipe stubs below 36" from top of tank must be FRP.



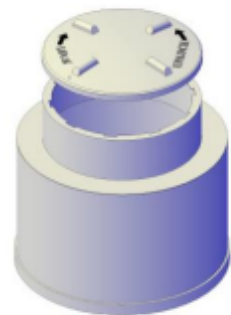
Size	PVC	FRP
2" Pipe		
3" Pipe		
4" Pipe		
6" Pipe		
8" Pipe		
10" Pipe		
12" Pipe		
16" Pipe	n/a	

### Single-Wall Containment Sumps

Containment collars are required for sumps. Includes the necessary adhesive bonding kit. All sump lids are watertight twist & lock style with an inflatable seal.



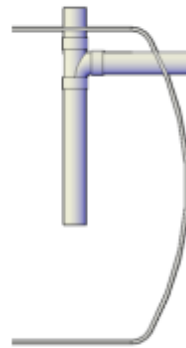
42" Diameter Sump		
Sump Height	30" Lid	36" Lid
36"		
42"		
48"		
54"		
60"		
66"		
72"		



48" Diameter Sump		
Sump Height	30" Lid	36" Lid
36"		
42"		
48"		
54"		
60"		
66"		
72"		

### Inlet/Outlet Sanitary Tee, PVC

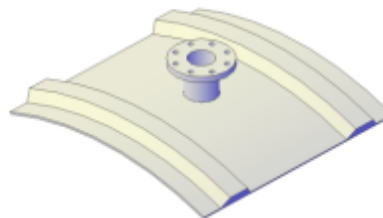
Pipe material will be PVC SCH40 for sizes 2"-6". For sizes 8"-12" material will be SDR 35.



Size	QTY
2" Pipe	
3" Pipe	
4" Pipe	
6" Pipe	
8" Pipe	
10" Pipe	
12" Pipe	

### FRP Flanged Fitting

All FRP flanges have ANSI bolt patterns.



Size	QTY
2"	
3"	
4"	
6"	
8"	
10"	
12"	
14"	
16"	



## Tank Accessories and Fittings

### Full-Bottom Drain Reinforcement

For full-bottom flanges & pipe stubs.



QTY

### Anti-Vortex Plates

Multiple design options available.

QTY

### Sensor/Pipe Brackets

QTY

### Fiberglass Ladders

An additional ladder may be required inside the riser or manway extension.



Height	Std. Resin	NSF Resin
2 ft		
3 ft		
4 ft		
5 ft		
6 ft		
8 ft		
10 ft		
12 ft		

### Full-Couplings with Internal PVC or FRP Drop Pipe

Tank Must have a Manway or access opening.



Tank Dia./Pipe Material	Fitting Size		
	2"	4"	6"
4 ft PVC			
4 ft FRP			
5 ft PVC			
5 ft FRP			
6 ft PVC			
6 ft FRP			
8 ft PVC			
8 ft FRP			
10 ft PVC			
10 ft FRP			
12 ft PVC			
12 ft FRP			

### FRP Flange Nozzle with Internal FRP Vertical Drop Pipe

Tank Must have a manway or access opening.



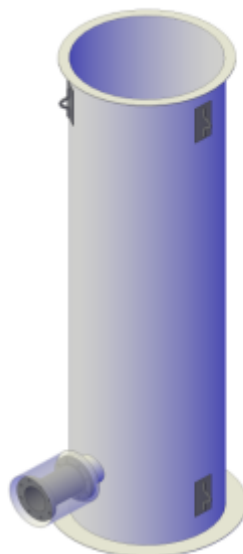
Tank Dia.	Flange Size				
	2"	4"	6"	8"	10"
4 ft					
5 ft					
6 ft					
8 ft					
10 ft					
12 ft					

### Striker Plates

Steel or aluminum plates laminated to the bottom of the tank under fittings and access openings.

Size	QUANTITY
Under 2"-12" Dia. Fittings	
Under 24" or 30" Dia. Manways	
Under 36" Dia. Manways	

### Pump Vaults

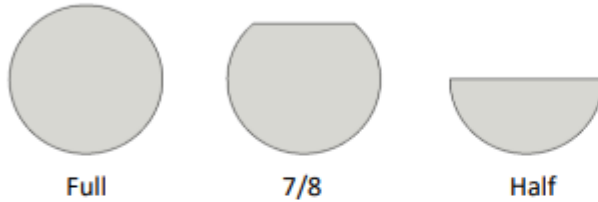


Depth	48" Diameter	
	Std. Resin	NSF Resin
8 ft		
9 ft		
10 ft		
11 ft		
12 ft		
13 ft		
14 ft		
15 ft		
16 ft		
17 ft		
18 ft		
19 ft		
20 ft		
21 ft		
22 ft		

# Tank Accessories and Fittings

## Baffle Walls

Choose baffle diameter and height, if the the desired height is between the size/type shown below, use pricing for the larger baffle size.



Tank Dia.	Baffle Type		
	Full	7/8	Half
4 ft			
5 ft			
6 ft			
8 ft			
10 ft			
12 ft			

## Baffle Hole



Diameter	QTY
Any Diameter Up to 10 inches	

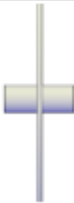
## Stainless Steel Banded Flexible Couplings

For use with pipe stubs. Per the FTS installation guide and tank warranty all pipe connections to the tank must be flexible.



Size	QTY
2"	
3"	
4"	
6"	
8"	
10"	
12"	
16"	

## Straight-Pipe Baffle Crossover



Diameter	QTY
4"	
6"	
8"	

## Single 90-Degree Baffle Crossover



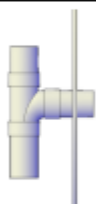
Diameter	QTY
4"	
6"	
8"	

## Double 90-Degree Baffle Crossover



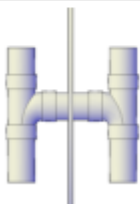
Diameter	QTY
4"	
6"	
8"	

## Single-Tee Baffle Crossover



Diameter	QTY
4"	
6"	
8"	

## Double-Tee Baffle Crossover



Diameter	QTY
4"	
6"	
8"	

## Stainless Steel Flanged Flexible Connectors

For use with flange nozzles. Per the FTS installation guide and tank warranty all pipe connections to the tank must be flexible. Includes two sets of EPDM gasket and stainless steel hardware.



Dia. and Length	QTY
2" x 12"	
3" x 14"	
4" x 11 3/4"	
6" x 14 1/8"	
8" x 15 3/8"	
10" x 17 3/4"	
12" x 18 3/8"	
14" x 20"	



## Tank Accessories and Fittings

### H-20 Load Rated Steel Manhole Ring & Covers



Diameter & Depth	QTY
8" x 12"	
12" x 12"	
18" x 10"	
24" x 10"	
30" x 10"	
36" x 10"	
38" x 10"	
42" x 10"	
48" x 10"	

### H-25 Load Rated Manhole Ring & Composite Covers



Diameter & Depth	QTY
39" x 11"	
44" x 11"	

### PVC Dry Hydrant Assembly

Dry hydrant heads are anodized aluminum female national hose (FNH) connections and available in either 4 1/2", 5", or 6" sizes. Includes dust cap. For use with 6" NPT couplings or 6" flanges.



Bury Depth	QTY
2 ft	
3 ft	
4 ft	
5 ft	
6 ft	
7 ft	

### Installation of Customer Supplied Effluent Filters

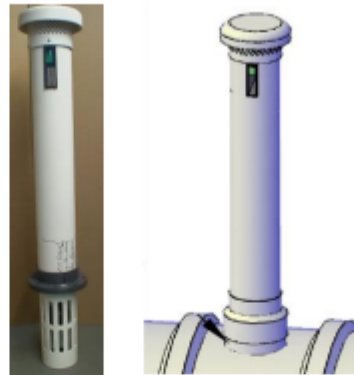
Customer supplies filter and/or siphon, as well as, add a properly sized outlet straight pipe.



Install Type	QTY
Filter install, single	
Filter install, dual	
Filter install, quad	
Price per filter, when installed on a baffle/partion wall.	

### 8" PVC Vent & Level Indicator Assembly

Must include pricing for one of the fitting adapters. Bury depth is measured from top of tank to top of ground. Level indicator window is normally 8"-10" above ground. Increase length for snow.



Bury Depth	QTY
2 ft	
3 ft	
4 ft	
5 ft	
6 ft	
7 ft	

Tank Fitting Adapter	QTY
10" Flange Adapter	
10" Pipe Stub Adapter	
8" NPT Coupling Adapter	

### Siamese Single Clapper Fill Assembly



Length matches bury depth of tank. Contains two (2) 2 1/2" FNH swivel fittings, strainer plates, plugs with chain, and a 4" male NPT fittings on the bottom.



QTY



## Project Profile:

Link: [Fire Suppression Tank - Seminole Project](#)



**Name:** Seminole Fire Suppression

**Location:** Seminole, OK

**Application:** Fire Suppression

**Product:** Underground Storage Tank

**Size:** (10' Dia. x 56' 3,1/4" Long-Tank) (4' Dia x 19' 1,1/2" Long-Pump Vault)

This Fiberglass Tank Solutions fire suppression tank services an office building in Seminole, OK. Due to the rural water districts inadequate flow and pressure in the utility water mains to meet fire suppression requirements, a standby fiberglass underground storage tank utilizing a vertical turbine pump in a separate fiberglass pump vault solved this challenging site condition. To offset any buoyancy issues, an FTS manufactured, pre-engineered, concrete deadman system including straps and turnbuckles was supplied to offset any buoyancy concerns as part of this tank package. The tank was installed by Smith & Pickle Construction, Inc., an Oklahoma based firm specializing in commercial office building construction. Site conditions did include some rock excavation. This tank system was manufactured and delivered on time, under budget, with a steady stream of technical communication regarding installation and logistics to Smith & Pickle staff, insuring a quality and profitable installation.



### Why work with us?

- ✓ Turnkey Prepackaged Systems
- ✓ Reduced Construction Costs
- ✓ Superior Quality



(573) 317-9620  
[www.fgtsolutions.com](http://www.fgtsolutions.com)



147 Camdenton Opportunity  
Road, Camdenton, MO 65020



# PROJECT PROFILE



08/19/2021

## Features

- 35,000 Gallon Storage
  - Durable Single Wall Design
  - Exterior Pump Vault
  - Oversized Share Pipe
  - Logistics to Job Site
  - Anti-Flotation Concrete Deadmen
- “On-Time & Under Budget”**



(573) 317-9620  
[www.fgtsolutions.com](http://www.fgtsolutions.com)



147 Camdenton  
Opportunity Road,  
Camdenton, MO 65020

## Request For Quote Form:

Just the Quote Link: [Request for Quote Form](#)

Full Form Quote + Accessories Link: [Request For Quote Form \(full copy\)](#)

### Fiberglass Tank Solutions (FTS) Underground Storage Tanks (USTs) Request For Quote (RFQ) Form



Completed forms can be sent to Jack Crow at [jack@fgtsolutions.com](mailto:jack@fgtsolutions.com)

#### Important Notes

- If engineered plans or specs are available, then they **MUST** be submitted with this form to receive a quote.  
If no plans or specs are available, then a minimum of a hand sketch drawing is required
- Inquiries for a budgetary quote, will only receive a general Budget Quote List
- Blank shell drawings, accessory cut sheets, typical application drawings, etc... can be downloaded from our resource library at <https://fgtsolutions.com/drawings/>

#### Contact Information

Today's Date: \_\_\_\_\_  
 Name: \_\_\_\_\_  
 Company: \_\_\_\_\_  
 Phone Number: \_\_\_\_\_  
 Email: \_\_\_\_\_  
 Company Type:  Engineer     (Gen/Sub) Contractor  
                    Wholesale     Project Owner

#### Project Information

**Do you have Specs or Plans?**  Yes **OR**  No  
 Request Type:  Budget     Bid     Buy  
 Project Name: \_\_\_\_\_  
 Ship to Location: \_\_\_\_\_  
 When is the Tank Needed? \_\_\_\_\_

#### Tank Application and Storage Purposes

Market:  Water     Wastewater     Oil/Gas  
 Fire Suppression  
 Rainwater Harvesting  
 Hazardous Liquid Containment (AFFF & CIP) \*  
 On-Site Water/Wastewater  
 Municipal Wastewater  
 Industrial Wastewater \*  
 Capture Tank \*  
 Grease/Sand/Oil Interceptor  
 Pipeline Sump Tanks \*  
 Urea Diesel Exhaust Fluid (DEF)  
 Oil Water Separator (OWS)  
 Potable Water Storage  
 Other: \_\_\_\_\_

\* = Additional Information needed prior to submission for an accurate Quote Request

#### Tank Shell Selection

Not Sure    Tank Diameter (in Feet) \_\_\_\_\_  
 Tank Storage Capacity (in Gallons) \_\_\_\_\_  
 Total Storage to  Flow line\* **OR**  Total Tank Capacity  
 Single-wall **OR**  Double-Wall Tank **OR**  Other

\* = Additional Information needed prior to submission for an accurate Quote Request

#### Anti-Floatation Systems

Concrete Deadman System  
 Concrete Anchor Slab  
 TankAnchor®  
 Fiberglass Deadman System  
 Unknown

Mailing: PO Box 326 Montreal, MO  
 MFG: 147 Opportunity Rd. Camdenton, MO



[www.fgtsolutions.com](http://www.fgtsolutions.com)  
 Phone: 573-326-9620

## Engineering & Finish Grade Requirements

Tank Bury Depth \_\_\_\_\_ (in feet)

Surface Finish Type:  Concrete  Asphalt  Gravel  Soil/Grass  Other: \_\_\_\_\_

Will this tank be in an H-20 traffic-rated area?  Yes **OR**  No

Will you need extra Documents?  Buoyancy Calc. with  P.E. Stamp |  Structural Calc. with  P.E. Stamp

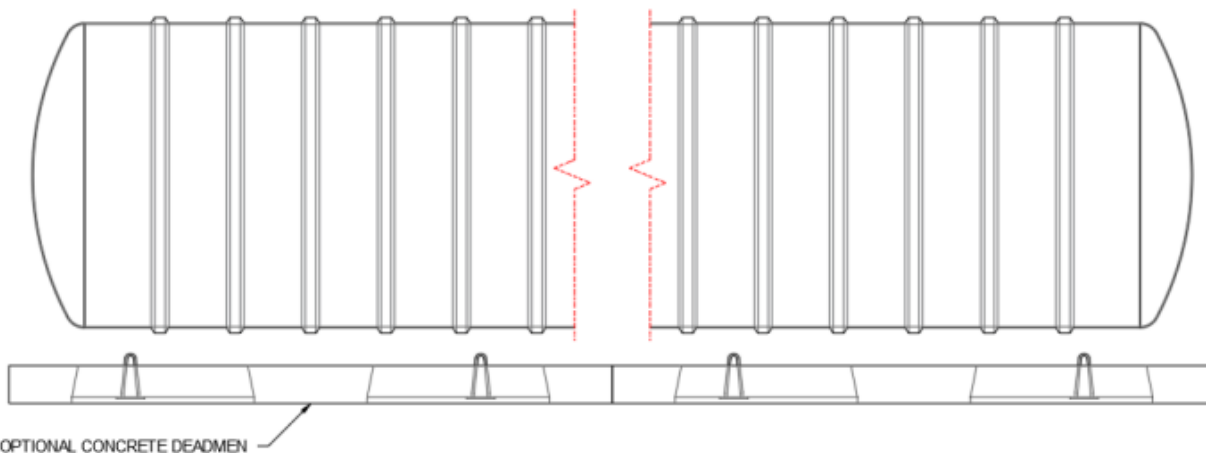
## Tank Drawing | Sketch | Plans and Specifications

**NOTE:** This step can be skipped if submitting a tank drawing or pages from project plans and specifications that contain a tank drawing with this RFQ form.

On the tank shell drawing below or on a separate blank tank shell drawing, please sketch and label all the fittings and accessories needed for this tank along with desired invert elevations (if applicable).

FTS blank shell drawings can be found at [www.fgtsolutions.com/drawings/](http://www.fgtsolutions.com/drawings/)

FINISH GRADE





## Typical Applications:

Link: [Typical Fire Suppression Tank Application Drawings](#)

**FIRE WATER STORAGE W/ VERTICAL PUMP VAULT (H-20 LOAD RATED)**

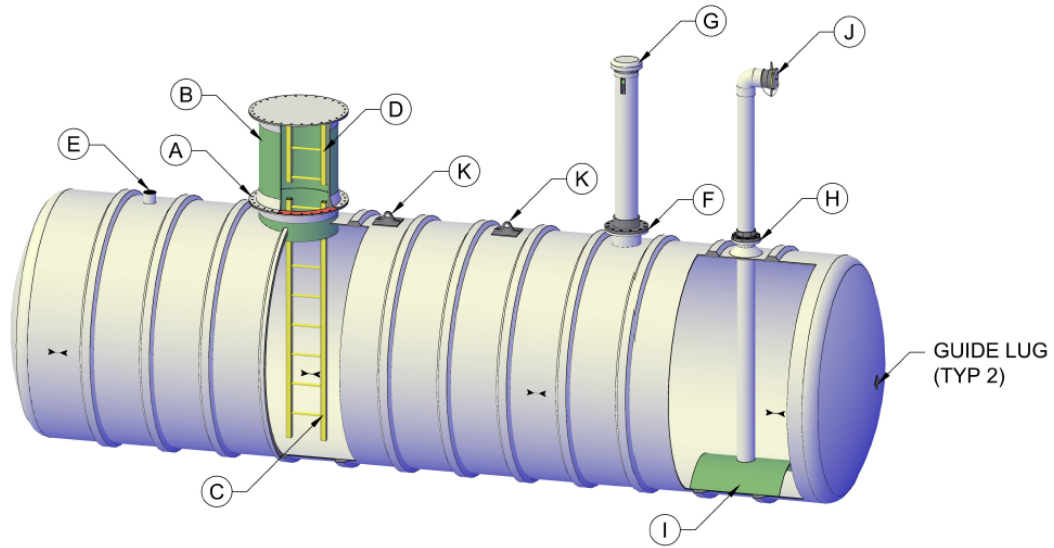
NOTE: \* CUSTOMER SUPPLIED ITEM

BILL OF MATERIALS	
ITEM	DESCRIPTION
A	Ø30" MANWAY W/ STEEL COVER
B	Ø30" MANWAY EXTENSION W/ GASKET & HARDWARE
C	Ø42" H-20 RATED STEEL MANHOLE RING & COVER
D	Ø16" H-20 RATED STEEL MANHOLE RING & COVER
E	4" HALF COUPLING, NPT
F*	4" VENT LINE
G	4" FILL ASSEMBLY W/ CAM-LOCK QUICK CONNECT
H	Ø42" VERTICAL PUMP VAULT W/ ANTI-FLOAT FLANGE
I	8" FLANGE NOZZLE W/ FULL BOT. DRAIN REINFORCEMENT
J	ANTI-VORTEX PLATE
K	8" FLANGE X FLANGE FLEXIBLE CONNECTOR
L*	6" VERTICAL PUMP SHAFT HOUSING W/ BOWL & STRAINER
M*	VERTICAL SUCTION PUMP W/ MOUNTING PLATE
N*	DISCHARGE VALVE & PIPING
O	8" FLANGE NOZZLE
P	STEEL LIFTING LUGS

www.fgtsolutions.com    DRAWN BY: JACK  
 Phone: 573-317-9620    DATE: 5/17/2021  
 Mailing: P. O. BOX 326, Montreal, MO 65591  
 MFG: 147 Opportunity Rd.,  
 Camdenon, MO 65020

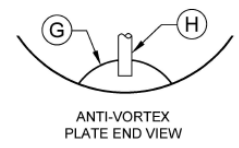
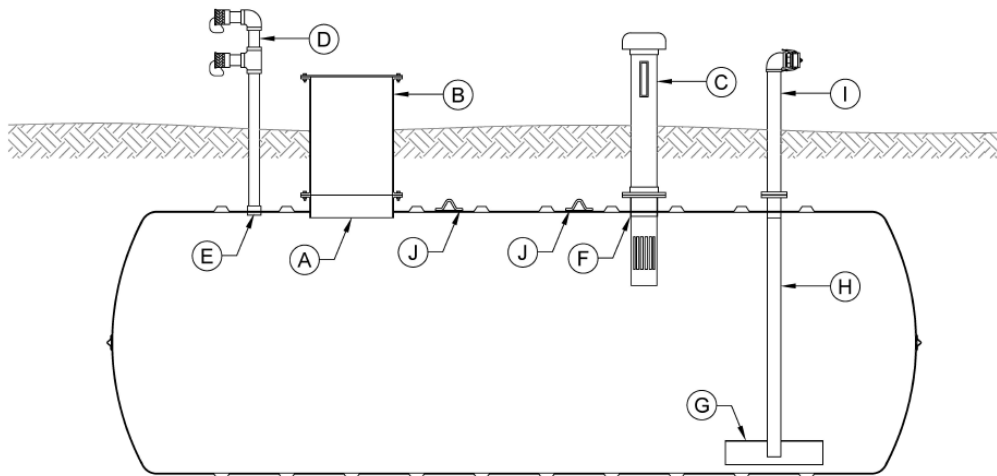
**FIRE SUPPRESSION TANK AND VERTICAL TURBINE PUMP VAULT**





BILL OF MATERIALS

ITEM	QTY	SIZE	ITEM DESCRIPTION	MATERIAL	ITEM	QTY	SIZE	ITEM DESCRIPTION	MATERIAL
A	1	30"	MANWAY W/ FIBERGLASS COVER	FRP	I	1		ANTI-VORTEX PLATE	Ø42" FRP
B	1	30"	MANWAY EXTENSION 36" TALL	FRP	J	1	6"	PUMP OUT ASSEMBLY W/ 5" FNST CONNECTION	PVC S40
C	1		16" WIDE LADDER FOR A Ø8' TANK	FRP	K	2		LIFTING LUG	STEEL
D	1		16" WIDE LADDER FOR A 36" TALL EXTENSION	FRP					
E	1	4"	FULL COUPLING, NPT (FILL CONNECTION)	FRP					
F	1	10"	FLANGE NOZZLE (VENT CONNECTION)	FRP					
G	1	8"	VENT & LEVEL INDICATOR ASSEMBLY	PVC					
H	1	6"	FLANGE W/ GUSSETS & FRP DROP PIPE	FRP					



**FIRE WATER STORAGE W/ HORIZONTAL DRAIN**

BILL OF MATERIALS

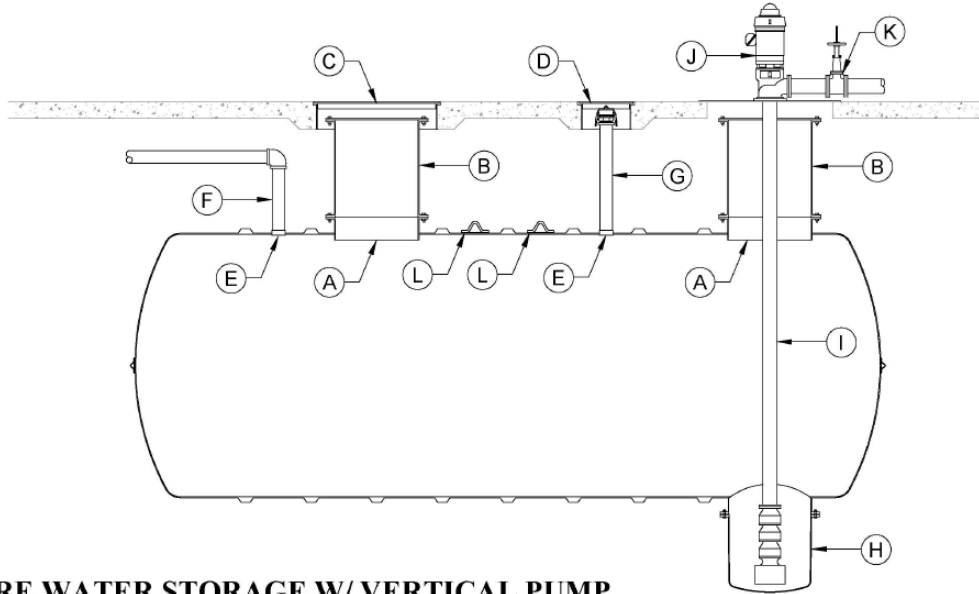
ITEM	DESCRIPTION	ITEM	DESCRIPTION
A	Ø30" MANWAY W/ STEEL COVER	F	10" FLANGE NOZZLE
B	Ø30" MANWAY EXTENSION W/ GASKET & HARDWARE	G	ANTI-VORTEX PLATE
C	8" PVC VENT/ LEVEL INDICATOR ASSEMBLY	H	4" FLANGE NOZZLE W/ FRP DROP PIPE
D	4" DUAL NST FILL OR RECIRCULATING POINTS	I	4" SUCTION LINE ASSEMBLY W/ CAM-LOCK QUICK CONNECT
E	4" HALF COUPLING, NPT	J	STEEL LIFTING LUGS

**Fiberglass Tank SOLUTIONS**

www.fgtolutions.com DRAWN BY: JACK

Phone: 573-317-9620 DATE: 5/17/2021

Mailing: P.O. BOX 326, Montreal, MO 65591  
 MFG: 147 Opportunity Rd.,  
 Camdenon, MO 65020



**FIRE WATER STORAGE W/ VERTICAL PUMP  
& BOTTOM SUMP (H-20 LOAD RATED)**

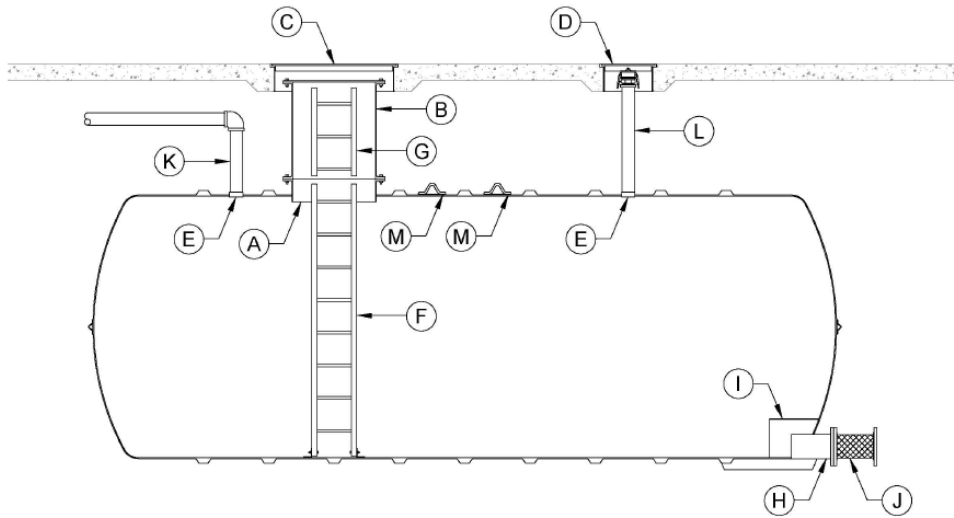
NOTE: \* CUSTOMER SUPPLIED ITEM

**BILL OF MATERIALS**

ITEM	DESCRIPTION	ITEM	DESCRIPTION
A	Ø30" MANWAY W/ STEEL COVER	G	4" FILL ASSEMBLY W/ CAM-LOCK QUICK CONNECT
B	Ø30" MANWAY EXTENSION W/ GASKET & HARDWARE	H	Ø30" FLANGED BOTTOM SUMP
C	Ø42" H-20 RATED STEEL MANHOLE RING & COVER	I*	6" VERTICAL PUMP SHAFT HOUSING W/ BOWL & STRAINER
D	Ø16" H-20 RATED STEEL MANHOLE RING & COVER	J*	VERTICAL SUCTION PUMP W/ MOUNTING PLATE
E	4" HALF COUPLING, NPT	K*	DISCHARGE VALVE & PIPING
F	4" VENT LINE	L	STEEL LIFTING LUGS



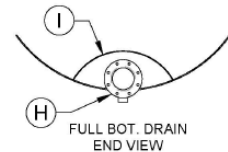
www.fgtsolutions.com DRAWN BY JACK  
 Phone: 573-317-9620 DATE 5/17/2021  
 Mailing: P. O. BOX 326, Montreal, MO 65591  
 MFG: 147 Opportunity Rd.,  
 Camdenton, MO 65020



**FIRE WATER STORAGE W/ FULL BOTTOM  
DRAIN (H-20 LOAD RATED)**

**BILL OF MATERIALS**

ITEM	DESCRIPTION	ITEM	DESCRIPTION
A	Ø30" MANWAY W/ STEEL COVER	H	8" FLANGE NOZZLE W/ FULL BOT. DRAIN REINFORCEMENT
B	Ø30" MANWAY EXTENSION W/ GASKET & HARDWARE	I	ANTI-VORTEX PLATE
C	Ø42" H-20 RATED STEEL MANHOLE RING & COVER	J	8" FLANGE X FLANGE FLEXIBLE CONNECTOR
D	Ø16" H-20 RATED STEEL MANHOLE RING & COVER	K	4" VENT LINE
E	4" HALF COUPLING, NPT	L	4" FILL ASSEMBLY W/ CAM-LOCK QUICK CONNECT
F	16" WIDE FIBERGLASS LADDER	M	STEEL LIFTING LUGS
G	16" WIDE FIBERGLASS LADDER EXTENSION		



www.fgtsolutions.com DRAWN BY JACK  
 Phone: 573-317-9620 DATE 5/17/2021  
 Mailing: P. O. BOX 326, Montreal, MO 65591  
 MFG: 147 Opportunity Rd.,  
 Camdenton, MO 65020

## Links to website:

Home: <https://fgtsolutions.com/>

Applications: <https://fgtsolutions.com/applications/>

Projects: <https://fgtsolutions.com/project-gallery/>

Resources: <https://fgtsolutions.com/resources-search/>

About: <https://fgtsolutions.com/about-us/>



FTS Website

## Business Contact Information:

### - Jack Crow – Technical Sales

- 573.317.9620
- [Jack@fgtsolutions.com](mailto:Jack@fgtsolutions.com)

Scan For Jack's Contact info



### - Matt Callanan – Technical Sales

- 573.317.9620
- [Matt@fgtsolutions.com](mailto:Matt@fgtsolutions.com)

Scan For Matt's Contact info



## (IMOG) Installation Manual & Operating Guide:

Link: [FTS IMOG Instructions](#)



 **Fiberglass Tank**  
SOLUTIONS



FTS Website

Over 20 Years of Experience

Fgtsolutions.com | 573.317.9620 | 147 Opportunity Rd. Camdenton, MO 65020



 **Fiberglass Tank**  
SOLUTIONS

**Custom Underground FRP Storage Tanks**  
Water | Wastewater | Oil/Gas | Chemical