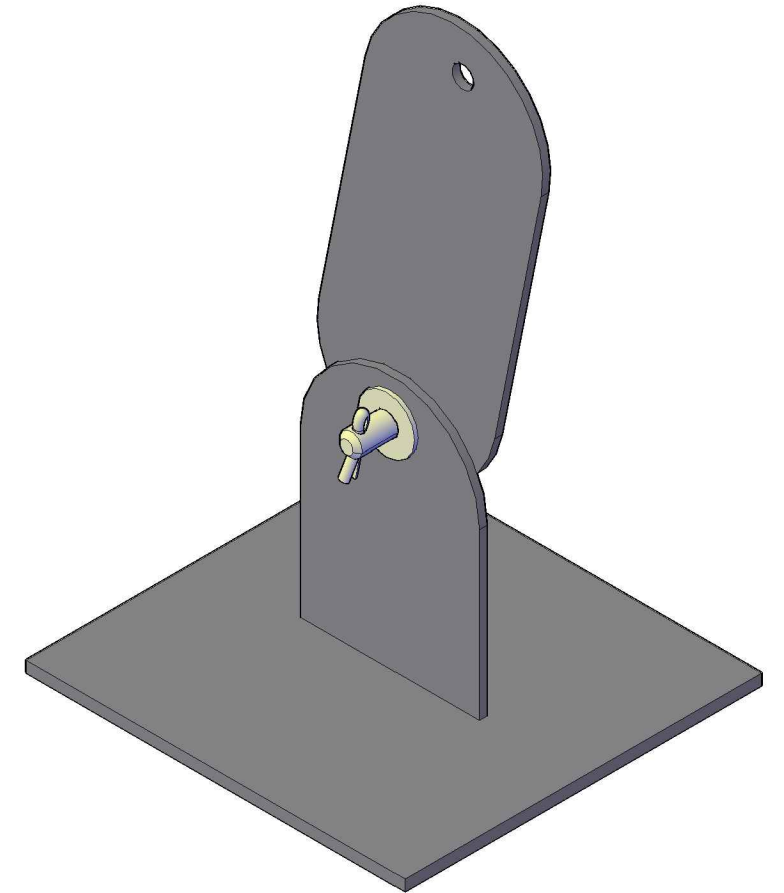
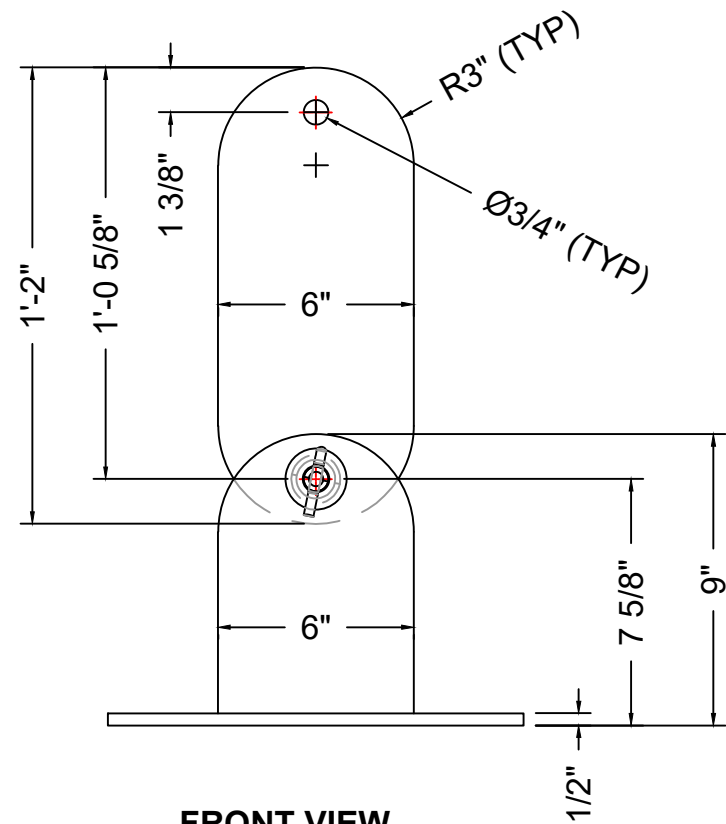


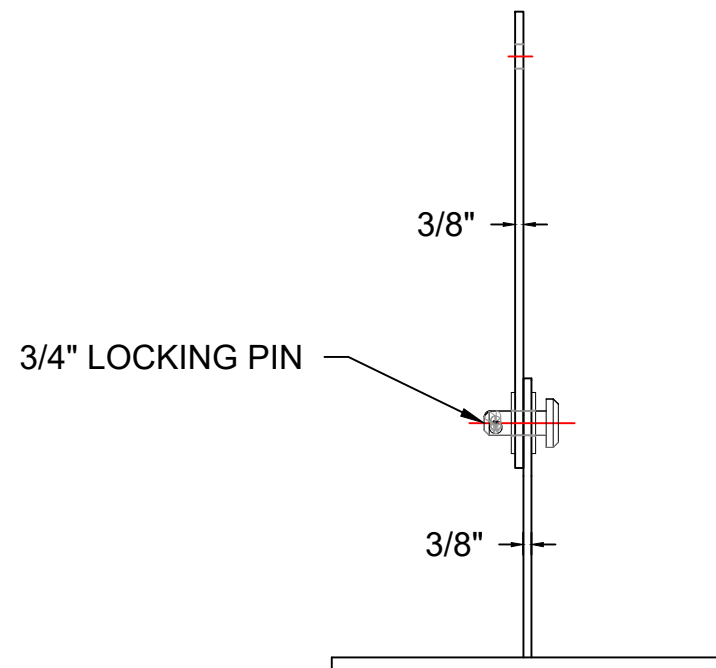
TOP VIEW



ISOMETRIC VIEW



FRONT VIEW



RIGHT SIDE VIEW

SHEET TITLE: <b>ANCHOR POINT</b>		
PROJECT NUMBER:		
PROJECT NAME: <b>FIBERGLASS DEAD MEN</b>		
DRAWN DATE: <b>10/13/20</b>	DRAWN BY: <b>JACK</b>	REV. <b>00</b>
Mailing: P.O. BOX 326, Montreal, MO 65591 MFG: 147 Camdenton Bus. Prk. Dr., Camdenton, MO 65020 P: 573-317-9620		