



FIBERGLASS UNDERGROUND
HORIZONTAL TANK
INSTALLATION MANUAL
&
OPERATING GUIDELINES

1. INTRODUCTION

SAFETY

The following definitions will serve as a guide when reading this manual:



WARNING

Indicates a potentially hazardous situation, which if not avoided could result in death or serious injury.



CAUTION

Indicates a potentially hazardous situation, which if not avoided may result in minor or moderate injury.

CAUTION

A caution without the safety alert symbol indicates a potentially hazardous situation, which if not avoided may result in property damage.

- It is the responsibility of the owner, installer and operator to follow all requirements contained in these instructions and to comply with all federal, state, and local safety regulations that may apply to underground horizontal storage tank installation and operations.
- No instructions or procedures presented in this document should be interpreted so as to put at risk any person's health or safety, or to harm any property of the environment.

WARNING

Follow OSHA regulations for excavations. Collapse of excavation walls could result in death or serious injury.

- Working in and around excavations is dangerous. The Occupational Safety and Health Administration (OSHA) have specific requirements that must be followed. Prior to beginning work at the site, the installer should obtain a copy of OSHA's Standard, Part 1926 (Construction), Subpart P -Excavations. A copy of this standard is available free of charge at OSHA's Web site (www.osha.gov).
- Careless activity or reckless operation of equipment can cause death, serious injury or property damage.
- It is important to follow the procedures and instructions in this document in order to safely and properly install an FTS underground horizontal storage tank. Failure to follow these instructions will void FTS' obligations under the limited warranty and may cause product failure, serious personal injury, or property damage. A copy of the relevant FTS limited warranty is found in the printed material that accompanies each tank, and on the FTS website (www.fgtsolutions.com).
- The FTS limited warranty applies only to an underground horizontal storage tank installed according to these instructions. Since FTS does not control the parameters of any installation, FTS sole responsibility in any installation is that presented in the limited warranty.
- Comply with all applicable federal, state and local construction, health, safety and environmental codes, and industry standard practices.
- For additional information, contact your state, county and city authorities having jurisdiction, including health, fire or building departments, and environmental agencies. All work must be performed according to standard industry practices and OSHA regulations.
- Federal, state, and local codes and regulations always take precedence over an FTS requirement.
- FTS must authorize – in writing and prior to underground horizontal storage tank installation – any variation to, or deviation from, these instructions.

2. PREPARATION FOR INSTALLATION

- Although FTS Underground Horizontal Storage Tanks (UGT) are rugged, the UGT owner and/or the UGT owner's representative must take care so that the UGT is not dropped or damaged during delivery, unloading and handling on the jobsite.
- Before unloading the underground horizontal storage tank from the truck, the underground horizontal storage tank owner and/or the underground horizontal storage tank owner's representative must make sure that all tools or other items that may damage the underground horizontal storage tank during unloading are removed from the trailer bed.
- When unloading the underground horizontal storage tank from the truck, the underground horizontal storage tank owner and/or the underground horizontal storage tank owner's representative must make sure that the underground horizontal storage tank is secured in such a way that it does not roll off the truck.

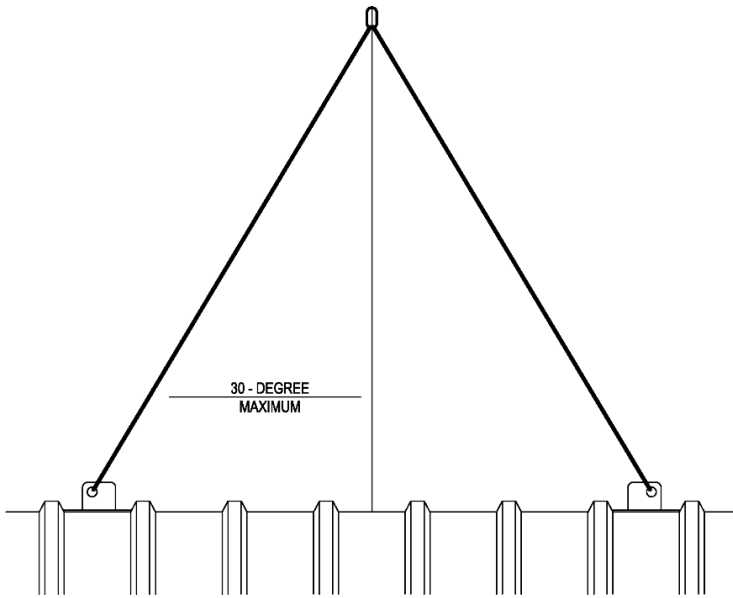
WARNING

- **Do not allow driver to release straps securing the underground horizontal storage tank to the truck until lifting equipment (such as a crane) is secured to the UGT lifting lug(s). Failure to do so could result in death or serious injury.**

WARNING

- **Always chock the underground horizontal storage tank. The underground horizontal storage tank is heavy and has a large surface area. The underground horizontal storage tank will roll on sloped surfaces and could be blown about by the wind. Movement of the underground horizontal storage tank could result in death or serious injury.**
- Before the underground horizontal storage tank is unloaded or relocated on the jobsite, the underground horizontal storage tank owner and/or the underground horizontal storage tank owner's representative must complete the following steps:
 - Visually inspect the entire exterior surface of the underground horizontal storage tank to make sure that no shipping or handling damage has occurred. Look particularly for holes, cracks or deep scrapes. If damage is detected, do not attempt repairs. Contact FTS immediately.
 - Sign the shipping papers accepting the underground horizontal storage tank as delivered.
 - Be sure that all equipment used to lift the underground horizontal storage tank is rated to handle the load.
 - Select a solid, level area to place the underground horizontal storage tank, and clear that area of all rocks, trash and debris.
- When hoisting the underground horizontal storage tank follow these instructions: (See figures 2-1 – 2-2)
 - To unload these UGT, use the lifting lugs that are situated on top of the underground horizontal storage tank in its rotated position. To install the underground horizontal storage tank, carefully rotate the underground horizontal storage tank to its upright position and then use all lifting lugs situated on top of the underground horizontal storage tank in its upright position. (See FIGURES 2-1 – 2.2)
 - Do not wrap chain or cable around the underground horizontal storage tank.
 - Use guide ropes to guide the underground horizontal storage tank when needed.
 - Do not roll the underground horizontal storage tank to move it.
- Whenever an underground horizontal storage tank is temporarily placed aboveground at the site, chock it in place to prevent rolling. Tie the underground horizontal storage tank down if high winds are expected. (See Figure 2-3)

- Whenever an underground horizontal storage tank is temporarily placed above the ground in a situation in which there could be freezing temperatures, always take extra care so that water does not accumulate in a way that could result in damage to the underground horizontal storage tank or any internal components.
- Excavate a hole large enough to accommodate basin, underground piping, backfill material, and adequate working space.
- When using multiple lifting lugs, the angle of the lifting sling should never exceed 30 degrees. When a situation arises that the angles will be greater than 30-degree, utilize a spreader bar to achieve an acceptable angle degree.



STEP 1
FIGURE 2-1

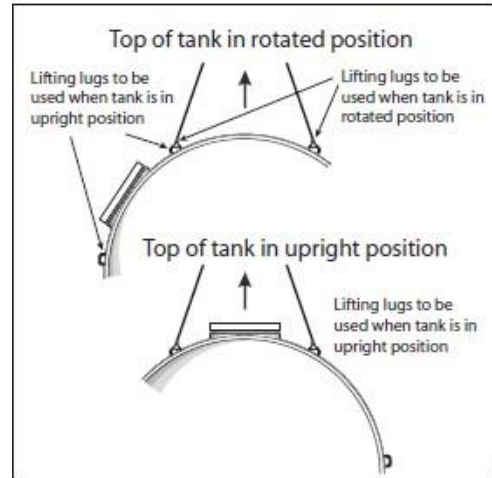


FIGURE 2-2

STEP 2
FIGURE 2-2

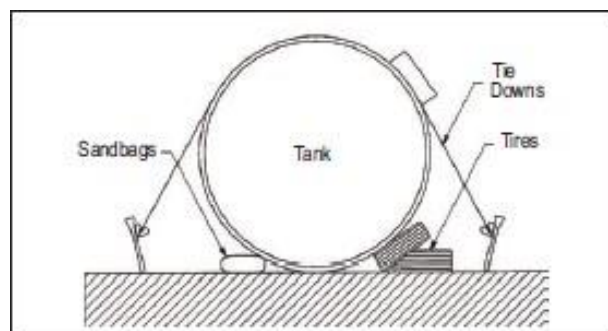


FIGURE 2-3







Step 3

Figure 2-3

3. Backfill Material


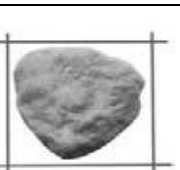




- FTS underground horizontal storage tank must be installed using pea gravel, crushed stone or select backfill as the backfill material. (See FIGURE 3-1.)
- When using rounded stone, the material is to be a mix of rounded particles, sizes between 1/8 inch and 3/4 inch. The rounded stone must conform to the specification of ASTM C-33, paragraph 9.1, sizes 6, 67 or 7.
- When using crushed stone, the material is to be mix of angular particles, sizes between 1/8 inch and 1/2 inch. The crushed stone must conform to the specifications of ASTM C-33, paragraph 9.1, sizes 7 or 8.
- If material which meets these specifications is not available, contact FTS at 573-317-9620.

TABLE 1 – Standard size of coarse aggregate meeting FTS’ rounded gravel Specifications.

Amount of material passing through each laboratory sieve given as percentage of total weight.							
Grade Number	6	100%	90-100%	20-55%	0-15%	0-5%	-
	67	100%	90-100%	-	20-55%	0-10%	0-5%
	7	-	100%	90-100%	40-70%	0-15%	0-5%
Sieve Size							
	1 inch 25.0 mm	¾ inch 19.0 mm	½ inch 12.5 mm	3/8 inch 9.5 mm	0.187 inch 4.75 mm No. 4	0.094 inch 2.36 mm No. 8	

Note: Standard sizes of coarse aggregate per ASTM D-448, ASTM C-33 and AASHTO M 43.

TABLE 2 – Standard sizes of coarse aggregate meeting FTS’ crushed stone specifications.

Amount of material passing through each laboratory sieve given as percentage of total weight.							
Grade Number	7	-	100%	90-100%	40-70%	0-15%	0-5%
	8	-	-	100%	85-100%	10-30%	0-10%
Sieve Size							
	1 inch 25.0 mm	¾ inch 19.0 mm	½ inch 12.5 mm	3/8 inch 9.5 mm	0.187 inch 4.75 mm No. 4	0.094 inch 2.36 mm No. 8	

Note: Standard sizes of coarse aggregate per ASTM D-448, ASTM C-33 AND AASHTO M 43.

- Backfill material must be clean, free flowing, and cannot be frozen during placement/compaction.
- Primary backfill material must be free of debris, large rocks, ice, sand, dirt, and organic material.
- An important characteristic of good backfill material is hardness or stability when exposed to water or loads. Most natural materials have no problem meeting the hardness requirement. However, materials like soft limestone, sandstone, seashells, or shale should not be used as backfill because they may break down over time.

Split Backfill Guidelines

- Select rounded or crushed stones as specified in **TABLE 1**, **TABLE 2**, and the installation guide must be used for primary backfill material.
- Primary backfill must be used vertically up to at least half of the tank diameter.
- A layer of geotextile filter fabric must be installed over the entire surface of the primary backfill to separate the secondary backfill from the primary backfill.

- All geotextile filter fabric should overlap a minimum of 12” on all seams, the tank, and excavation surface.
- Secondary backfill must be compacted to achieve a minimum of 85 percent standard proctor density.
- Do not use rammer-type compactors over the top of the tank.
- Secondary backfill must be installed in 12-24 inch lifts compatible with the compaction equipment.

Secondary Backfill Material

- 100% of all backfill must pass through a 1-inch sieve.
- Secondary backfill cannot be frozen and must be free of roots, large rocks, debris, ice, and snow.
- Terminology in this document is referred from ASTM D 2487: “Standard Practice for Classification of Soils for Engineering Purposes (Unified Soil Classification System)”. Most unconsolidated materials can be represented by the Unified Soil Classification System (USCS) definitions. The USCS defines materials using two-letter combinations. For example, the USCS symbol “GW” refers to “well graded gravel”. Additionally, mixtures of soils can be referenced with hyphens; for example, “GW-GM” corresponds to “well graded gravel with silt”

TABLE 3 – Shows the relevant USCS symbols for secondary backfill and bedding materials. If these materials are used, they must be placed and compacted as shown in Table 4.

First Letter		Second Letter	
Letter	Definition	Letter	Definition
G	Gravel	P	Poorly Graded (uniform particle sizes)
S	Sand	W	Well Graded (diversified particle sizes)
M	Silt	H	High Plasticity
C	Clay	L	Low Plasticity
O	Organic		

TABLE 4 – Defines compactive effort terminology and explains in-place and relative density requirements.

Compactive Effort	Definition	Proctor Density (In-Place)	Relative Density
Dumped	No compaction effort (self-compacting).	At least 85%	At least 40%
Slight	Some compactive effort required.	At least 85%	At least 40%
Moderate	Additional compactive effort required.	85% - 95%	40% - 70%
High	High level of compactive effort.	At least 95%	At least 70%

TABLE 5 – Describes acceptable secondary backfill materials and their compaction requirements.

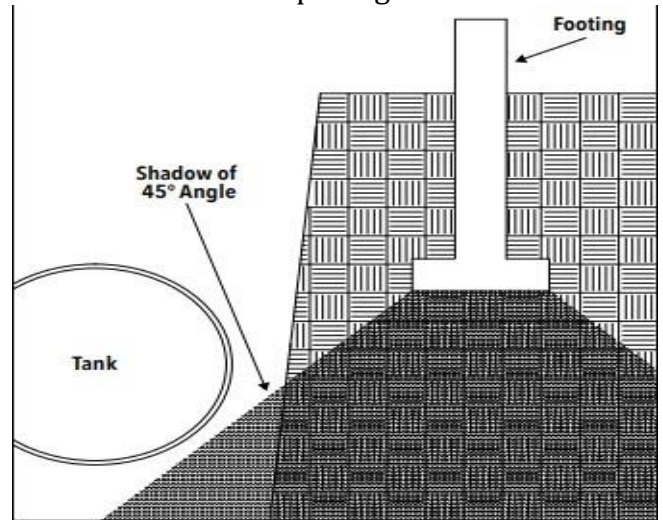
Material	Description	Compaction Requirement
Crushed Stone/Round Stone	Standard material as described in FTS Backfill guidelines	Dumped
GW, GP, SW, SP	Coarse grained soils with less than 12% fines	Slight
CL, ML, ML-CL	Fine grained material (with liquid limit < 50) with medium to no plasticity. More than 25% coarse-grained particles in the material.	Moderate
GM, GP, SW, SP	Coarse-grained soils with fines	Moderate
CL,ML,ML-CL	Fine grained materials (with liquid limit < 50) with medium to no plasticity. Less than 25% coarse-grained particles in the material.	High

4. INSTALLATION

GENERAL EXCAVATION PARAMETERS

WARNING

- Follow OSHA regulations for tank excavations. Collapse of excavation walls could result in death or serious injury.
 - The installing contractor must take all precautions necessary to protect employees working in or near a tank excavation. These precautions should include but are not limited to the following.
 - Locate and protect any utility installations near the excavation before opening the excavation.
 - Secure the walls of the excavation.
 - Protect employees from hazards associated with water accumulation in the excavation.
 - Erect barricades, etc. to prevent unauthorized vehicle or pedestrian traffic
 - Inspect a minimum of once a day, the excavation and surrounding area.
 - For additional information on excavation, trenching and shoring safety practice, consult OSHA's Standard, Part 1926, Subpart P (Excavations), 650-652; and "Fall Protection Rules and Regulations."



EXCAVATION AND TANK LOCATION

NOTICE

Improper placement of the excavation may result in damage to the tank and/or property damage.

- FTS recommends that the tank owner seek the advice of a local foundation professional engineer to determine the proper placement of a tank excavation near any existing structure(s).
- The tank owner and/or the owner's technical representative is responsible for determining the proper placement of a tank excavation.
- In general terms, the size of the excavation is determined by:
 - The number of tanks to be installed
 - The size of the tanks to be installed
- The location of a tank can be affected by the location of nearby structures. When selecting a tank site, care must be taken to avoid undermining the foundations of existing structures or new buildings to be constructed. See FIGURE 4-1.
- Ensure that downward forces from loads carried by the foundations and supports of nearby structures (constructed before or after tank installation) are not transmitted to the tanks.
- Typically, the way to check the placement of the tank in relationship to a nearby structure is to do the following:
 - **Step 1** – Determine the depth of burial needed for the tank.
 - **Step 2** – Locate the footing of the structure to be considered.
 - **Step 3** – Determine the line that would fall into the ground from a 45-degree angle drawn downward from the corner(s) of the footing of the foundation that is closest to the tank.
 - **Step 4** – The tank must not fall within the "shadow" of the 45-degree-angle line drawn from the foundation's footing. See FIGURE 4-1.

- **Step 5** – If the tank would fall within this “shadow,” do one of the following to ensure that the tank does not fall within the “shadow”:
- Move the tank away from the existing building.
- Move the foundation of the building to be constructed away from the tank.
- Deepen the footing of the planned building’s foundation.

DRY-HOLE INSTALLATION

- **Step 1** – Prepare a smooth, level bed, 6 inches thick, of approved backfill material, or a concrete pad designed by a project engineer.
- **Step 2** – Place the underground horizontal storage tank onto the bed or concrete pad.
- **Step 3** – Test base compaction to 85% density proctor and documented.

WET-HOLE INSTALLATION

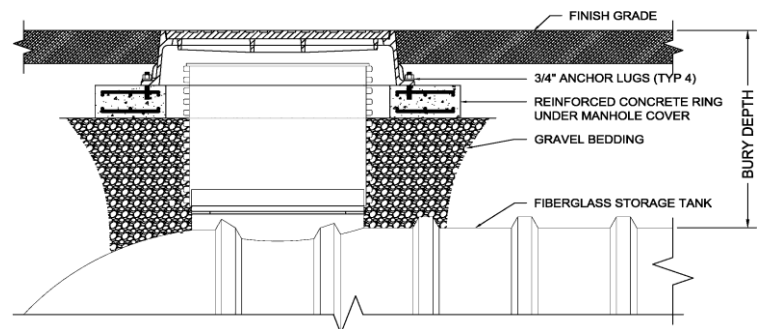
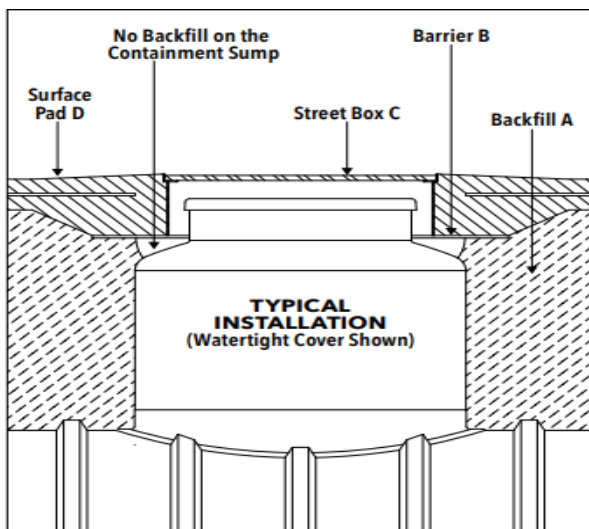
- **Step 1** – Before performing Step 1 of the dry-hole installation, pump the water from the hole and continue pumping to maintain minimum water level during underground horizontal storage tank installation.
- **Step 2** – Test base compaction to 85% density proctor and documented.
- **Step 3** – During Step 2 of the dry-hole installation, when setting the underground horizontal storage tank, partially ballast the underground horizontal storage tank until it settles firmly on the prepared bed. The ballast level in the underground horizontal storage tank must never exceed the water level in the hole by more than 1 foot until the backfill reaches the top of the underground horizontal storage tank.

DRY-HOLE AND WET-HOLE INSTALLATION

- From the edge of the hole, bring the backfill up in the excavation. Approved backfill material must be used at least 12 inches around the entire periphery of the underground horizontal storage tank.
- FTS recommends the use of a geotextile fabric to help separate the select backfill from the in-situ soil.
- For further information concerning geotextile specifications and installation procedures, consult the geotextile supplier’s installation guidelines or instructions.
- Polyethylene film is not considered an effective geotextile material. It may tear or degrade while in service.
- The minimum amount of back fill around the periphery of the well is normally determined by the presence or absence of traffic at the site. (See Figure 4.3 and 4.4)

Top Slab Construction Method

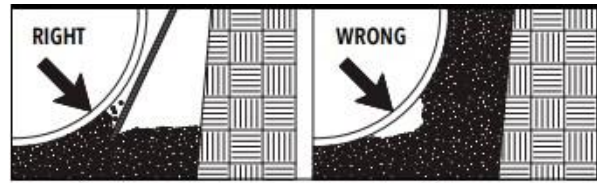
- The underground horizontal storage tank fiberglass top is designed to support the dead weight, including 6” of granular bedding and 6” of a wet concrete. All load-bearing weight of the concrete pad and the traffic load exerted to the pad must be distributed to the outside perimeter of the underground horizontal storage tank. The concrete pad and outside support perimeter shall be designed by the Engineer of Record.



NOTICE

Overdeflection of the tank could result in damage to the tank.

- A. Install bottom fittings and bottom piping on water/wastewater tanks at this time.
- B. Place approximately 12 inches of primary backfill around bottom of the tanks between the ribs (if present) and under the end domes.
- C. Use a nonmetal tamping rod long enough to reach beneath the tank to push material under the tank body and domes until solid resistance is felt. All voids must be filled and the tank must be fully supported.



NOTICE

Do not use metal probes. Failure to follow this notice could result in damage to the tank.

NOTICE

Do not strike the tank with the tamping rod. Failure to heed this notice could result in damage to the tank.

Table I-2

Depth of Cover Minimum Requirements for Tanks Other Than Fuel

No Traffic Options (All Installations)

- 12" [30 cm] backfill

Traffic Options (All installations)

- 36" [91 cm] backfill
- 18" [46 cm] backfill + 6" [15 cm] reinforced concrete
- 18" [46 cm] backfill + 8" [20 cm] asphalt

5. PIPING & CONNECTION

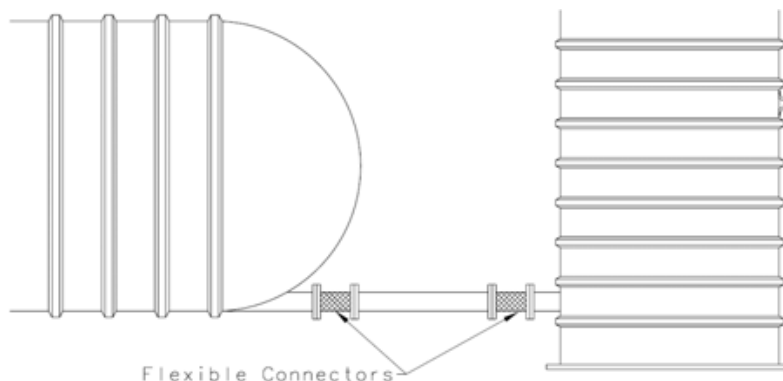
- All piping must conform to all applicable codes and standards.
- Bolts and hardware for manway and flange connections must be torqued to 25 ft-lb, and threaded connections must be properly doped and sealed.

CAUTION

All underground tanks shall be adequately vented to prevent the development of vacuum or pressure when filling or emptying the tank. Failure to properly vent a tank or compartment could cause tank failure and result in death or serious injury and will void manufacturer's warranty

CAUTION

All connections to the underground horizontal storage tank must be flexible. Provisions must be made to accommodate movement and misalignment between the piping and the underground horizontal storage tank. Failure to do this may damage the underground horizontal storage tank and/or surrounding property and void manufacturer's warranty.



6. OPTIONAL HYDROSTATIC TEST

- Seal off influent and effluent piping with watertight caps or plugs.
- Fill the underground horizontal storage tank with water at test level openings after the hole is backfilled to top of the underground horizontal storage tank.
- Let the water stand in the underground horizontal storage tank for a minimum of 1 hour (or longer if required by applicable local codes).
- If the water level drops, check to see that plugs or caps sealing off piping are tight and then add more water to fill air voids back to the standard testing level.
- If water level does not stabilize, there may be a leak in the system. If damage is detected, do not attempt repairs. Contact the FTS by email at kevin@fgtsolutions.com, by Phone 573-317-9620

7. OPERATING GUIDELINES

- Owner must retain the underground horizontal storage tank Installation Manual and Operating Guidelines for future reference to operating guidelines.
- In addition to the underground horizontal storage tank Installation Manual and Operating Guidelines, follow all federal, state and local laws, regulations, codes and safety precautions that pertain to underground storage UGT and/or their associated systems.
- Consult the applicable limited warranty for each underground horizontal storage tank for further operating guidelines and limitations.
- An FTS underground horizontal storage tank is designed to store materials identified in the manufacturer's applicable limited warranty.

CAUTION

Storing materials other than those identified in the manufacturer's applicable limited warranty will void FTS' obligation under the warranty and may cause underground horizontal storage tank failure or property damage.

CAUTION

- Maximum temperature for wastewater products is 150 F.
- The minimum temperature for chemicals is 100 F.

WARNING

Do not allow anyone to enter the underground horizontal storage tank unless it has been properly emptied and vented, and unless the person entering the underground horizontal storage tank has been trained in confined-space entry procedures and applicable OSHA regulations.

Storing a material in a underground horizontal storage tank in excess of the allowable temperature may damage the underground horizontal storage tank. Failure to follow this caution may damage the underground horizontal storage tank and/or surrounding property and void manufacturer's warranty.

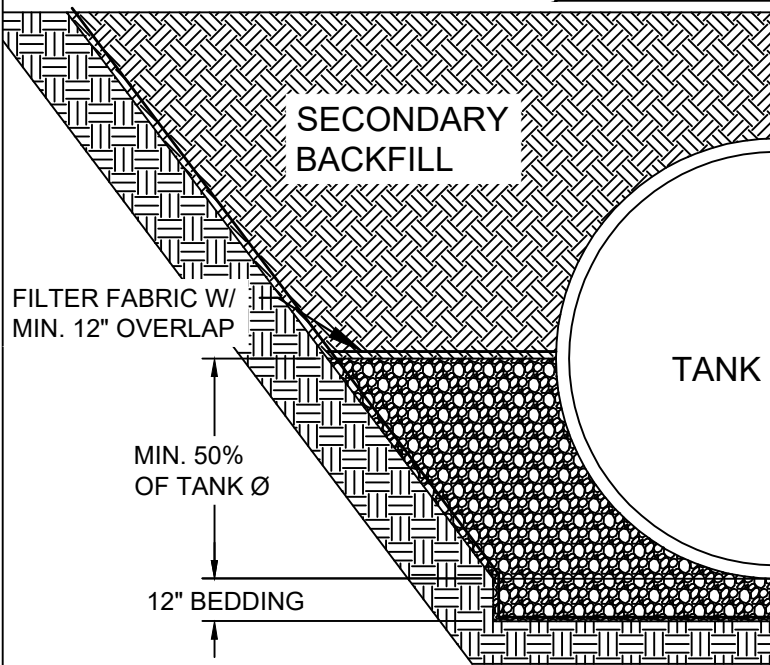
Improper underground horizontal storage tank entry could cause fire, explosion or asphyxiation and could result in death or serious injury.

8. RETAINING INSTALLATION MANUAL AND OPERATING GUIDELINES

After installation, underground horizontal storage tank owner must retain the underground horizontal storage tank Installation Manual and Operating Guidelines for future reference to operating guidelines.

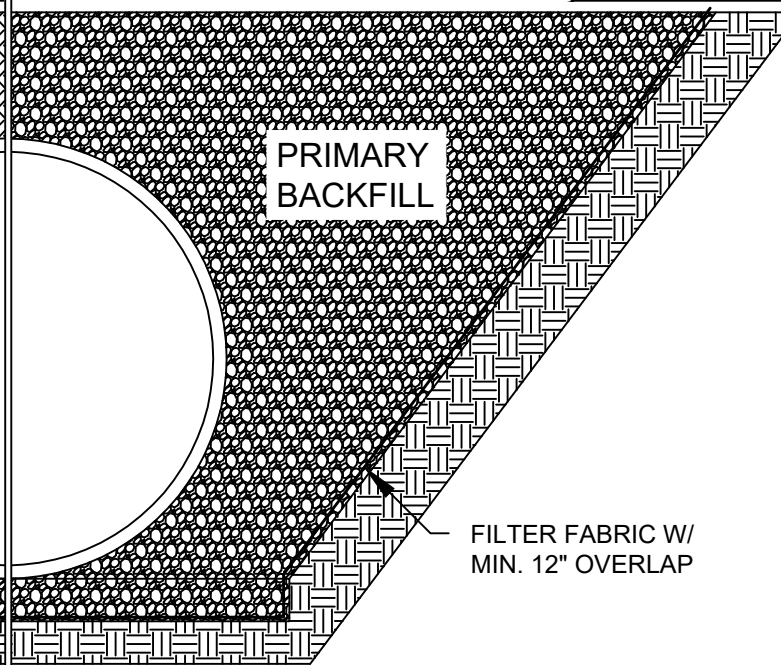
OPTION A

FIGURE A-1



OPTION B

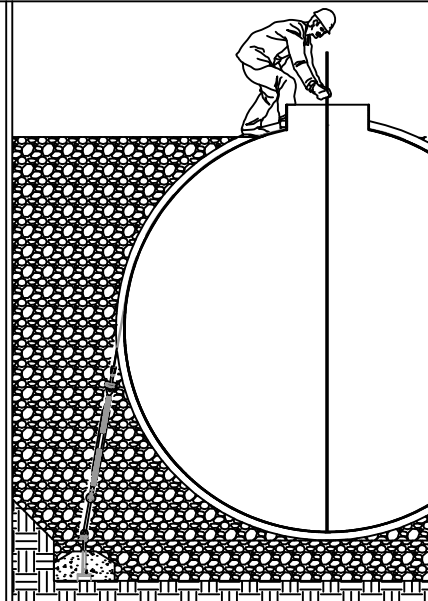
FIGURE A-2



BACKFILL STEPS

1. LINE EXCAVATION HOLE WITH GEOTEXTILE/ FILTER FABRIC TO STABILIZE NATIVE SOIL. FABRIC SECTIONS MUST HAVE 12" MIN. OVERLAP.
2. INSTALL 12" OF TANK BEDDING. (SEE FIGURE ## FOR APPROVED BACKFILL MATERIAL)
3. SET TANK ONTO THE 12" OF BEDDING.
4. BACKFILL IN 6"-12" LIFTS. REFER TO FIGURES A-4 & A-5 FOR APPROVED METHODS.
5. BACKFILL TO THE TOP OF TANK USING OPTIONS A OR B. (FIGURES A-1 & A-2) IF OPTION A-1 IS USED A LAYER OF FILTER FABRIC IS REQUIRED TO SEPARATE THE SECONDARY BACKFILL FROM THE PRIMARY BACKFILL. SEE FIGURE ## FOR APPROVED SECONDARY BACKFILL.

FIGURE A-3



TANK DIAMETER MUST BE MEASURED FOR DEFLECTION:

1. BEFORE INSTALLATION
2. AFTER ANCHOR STRAPS ARE SECURED.
3. DURING THE BACKFILL PROCESS
4. ONCE BACKFILL IS UP TO SUBGRADE

TANK DIA.	ALLOWABLE DEFLECTION
4 Ft	1/2" [1.3 CM]
5 Ft	1/2" [1.3 CM]
6 Ft	3/4" [1.9 CM]
8 Ft	1 1/8" [2.9 CM]
10 Ft	1 1/2" [3.8 CM]
12 Ft	1 3/4" [4.5 CM]

- DEFLECTION = DIAMETER MEASUREMENT - MEASUREMENT #1
- MEASUREMENTS CAN BE TAKEN WITH A TAPE MEASURE OR A DIPSTICK (WITH OR WITHOUT STAND PIPE)

FIGURE A-4

- PREVENT ANY VOIDS UNDERNEATH TANK BY WORKING THE BACKFILL UNDER THE TANK, DOME ENDS, AND BETWEEN RIBS TO INSURE THE TANK IS FULLY SUPPORTED.
- ANGLED SHEETING/ HAND SHOVELS ARE RECOMMENDED FOR CRUSHED STONE.
- TAMPING RODS ARE RECOMMENDED FOR FREE FLOWING GRAVEL AND COARSE SAND.

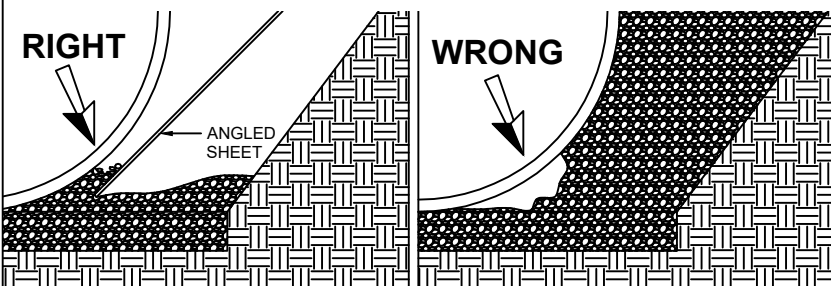
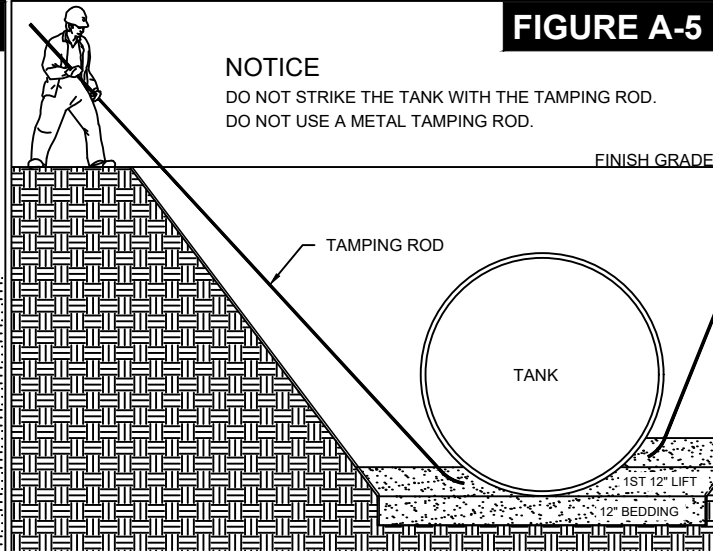


FIGURE A-5

NOTICE

DO NOT STRIKE THE TANK WITH THE TAMPING ROD.
DO NOT USE A METAL TAMPING ROD.



SHEET TITLE:

**APENDIX A
BACKFILL METHOD**

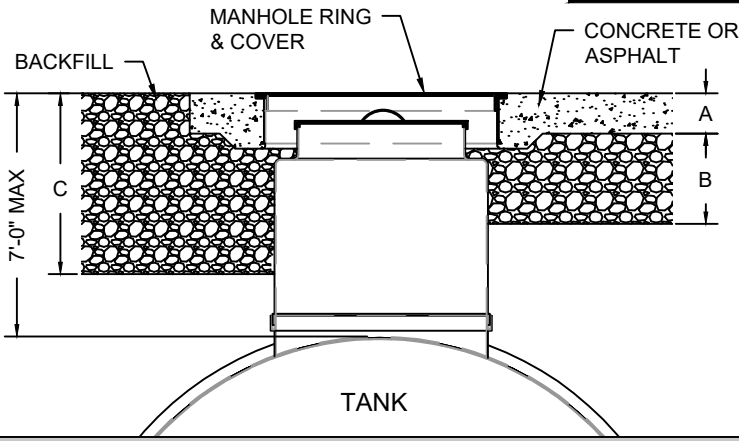
DRAWN DATE:
07/08/20

DRAWN BY:
JACK

Mailing: P.O. BOX 326, Montreal, MO 65591
MFG: 147 Camdenton Bus. Prk. Dr.,
Camdenton, MO 65020
P: 573-317-9620



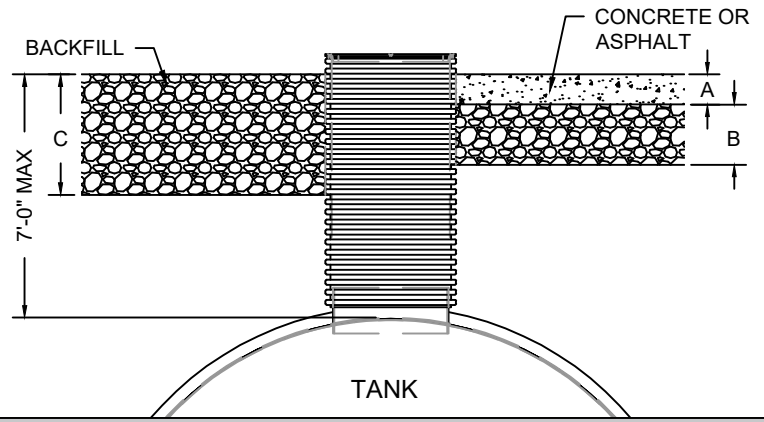
FIGURE C-1



TRAFFIC LOAD (H-20)

TANK Ø	SURFACE FINISH	DIM "A"	DIM "B"	DIM "C"
Ø 4'-10'	BACKFILL	N/A	N/A	3'-0"
	CONCRETE	0'-6"	1'-6"	N/A
	ASPHALT	0'-8"	1'-7"	N/A
Ø 12'	BACKFILL	N/A	N/A	4'-0"
	CONCRETE	0'-6"	3'-0"	N/A
	ASPHALT	0'-8"	3'-0"	N/A

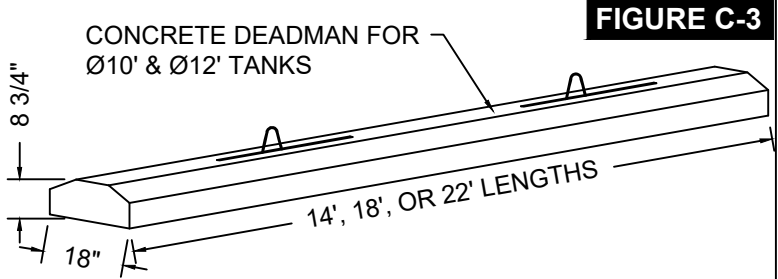
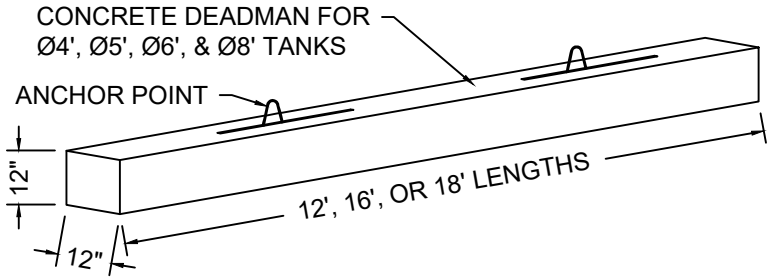
FIGURE C-2



NON-TRAFFIC LOAD

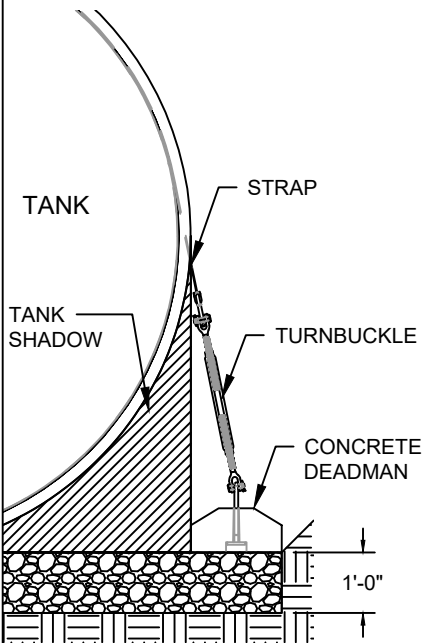
TANK Ø	SURFACE FINISH	DIM "A"	DIM "B"	DIM "C"
Ø 4'-10'	BACKFILL	N/A	N/A	2'-0"
	CONCRETE	0'-4"	1'-0"	N/A
	ASPHALT	0'-6"	1'-0"	N/A
Ø 12'	BACKFILL	N/A	N/A	3'-6"
	CONCRETE	0'-4"	3'-2"	N/A
	ASPHALT	0'-6"	3'-2"	N/A

FIGURE C-3



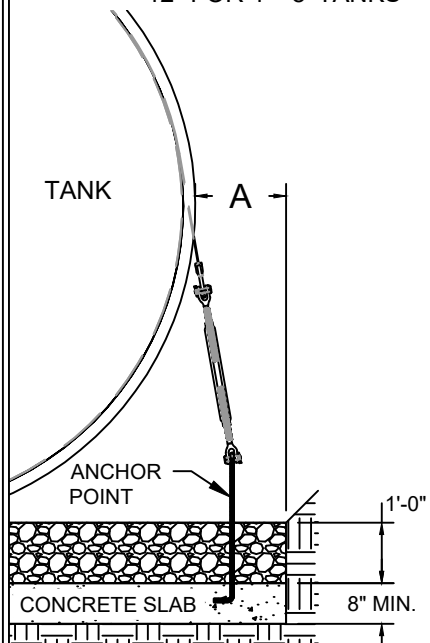
DEADMEN FIGURE C-4

TOTAL LENGTH OF DEADMEN MUST EQUAL LENGTH OF TANK



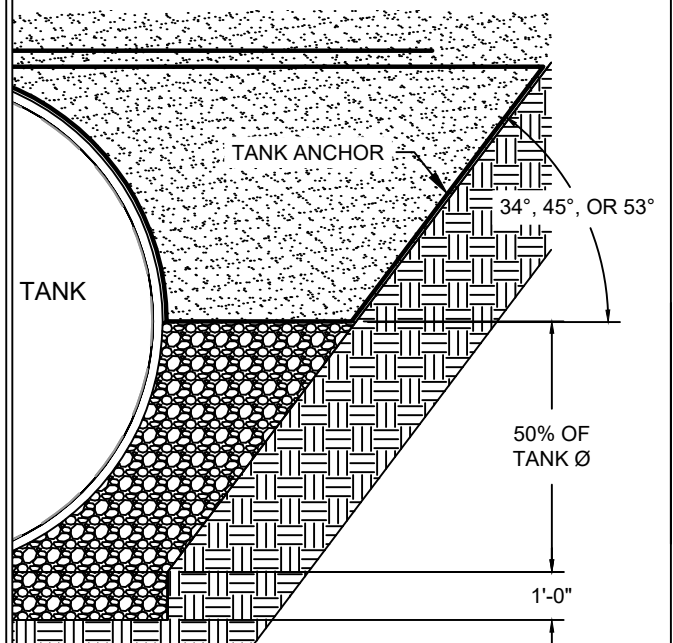
ANCHOR SLAB FIGURE C-5

SLAB LENGTH = TANK LENGTH
DIM "A" = 18" FOR 10' - 12' TANKS
= 12" FOR 4' - 8' TANKS



TANK ANCHOR® FIGURE C-6

SEE TANK ANCHOR IMOG FOR MORE DETAILS.



SHEET TITLE:

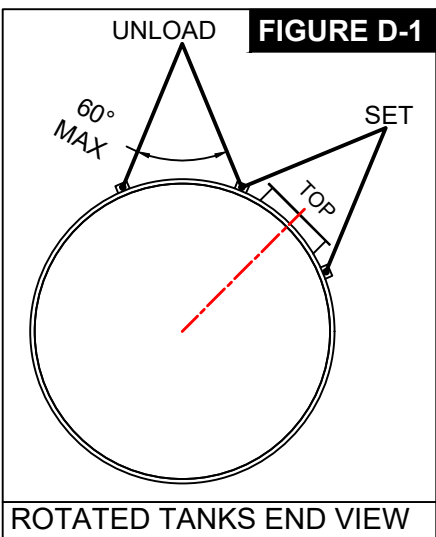
**APENDIX C
ANTI-FLOAT & SURFACE FINISH**

DRAWN DATE:
07/08/20

DRAWN BY:
JACK

Mailing: P.O. BOX 326, Montreal, MO 65591
MFG: 147 Camdenton Bus. Prk. Dr.,
Camdenton, MO 65020
P: 573-317-9620





ROTATED TANKS END VIEW

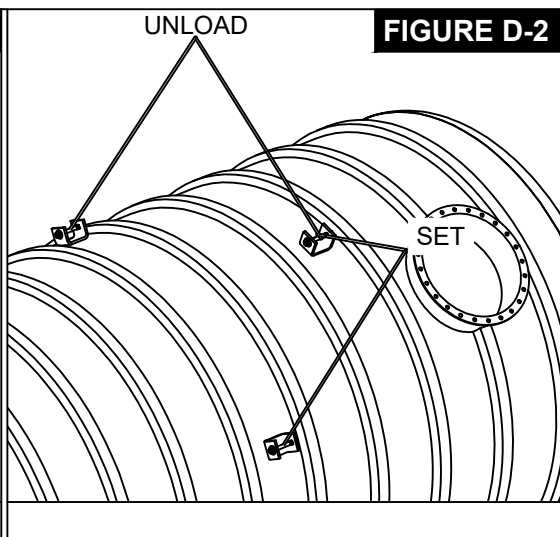


FIGURE D-2

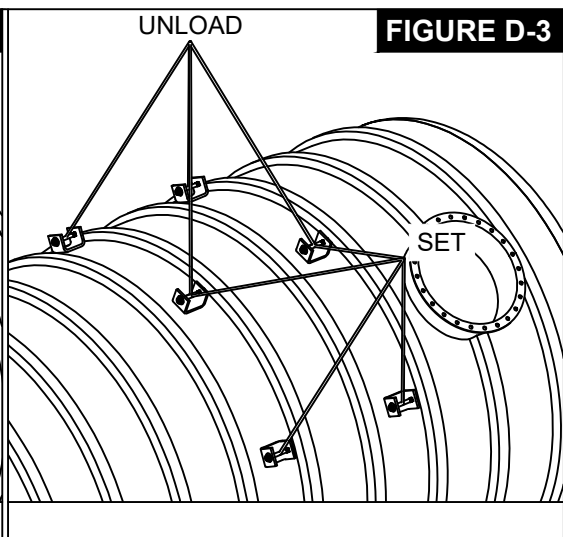
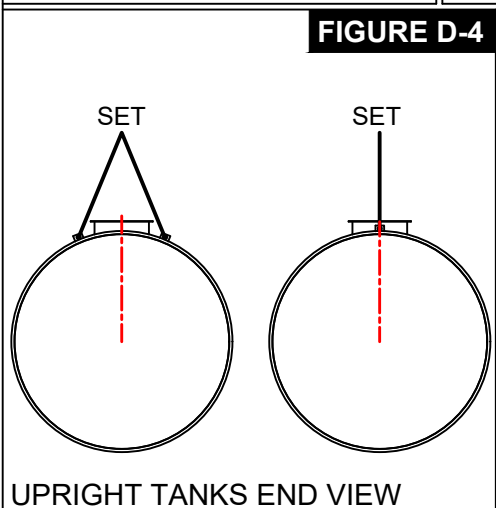


FIGURE D-3



UPRIGHT TANKS END VIEW

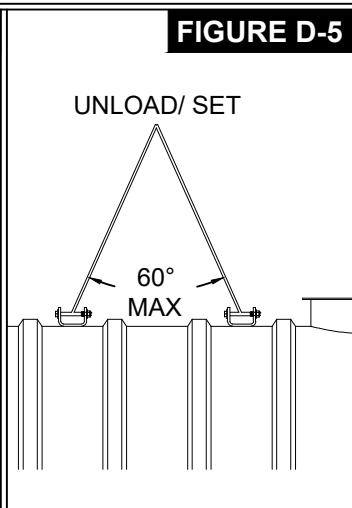


FIGURE D-5

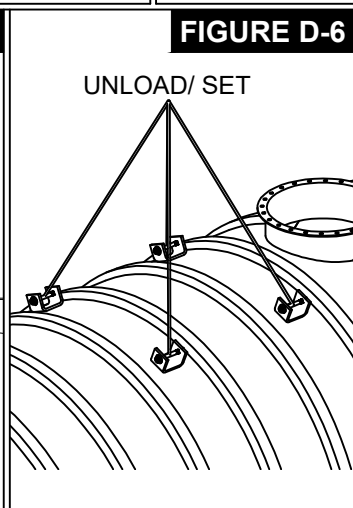


FIGURE D-6

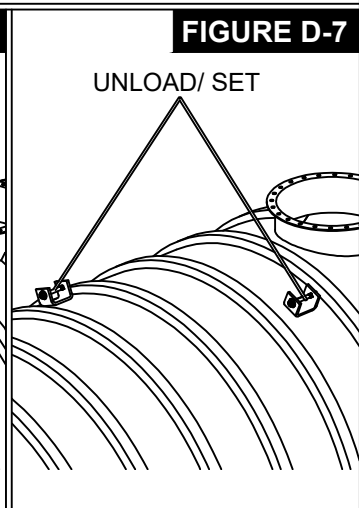


FIGURE D-7

- UNLOADING NOTES:**
- CONTRACTOR IS RESPONSIBLE FOR UNLOADING THE TANK.
 - DO NOT UN-STRAP THE TANK FROM THE TRUCK UNTIL LIFTING EQUIPMENT IS FULL SECURED TO THE TANK.
 - USE GUIDE LUGS TO POSITION THE TANK.
 - NEVER USE THE GUIDE LUGS TO LIFT THE TANK.
 - DO NOT USE STEEL CABLE OR CHAINS TO LIFT OR SECURE THE TANK.
 - STAND CLEAR OF THE TANK WHEN LIFTING AND NEVER STAND UNDER THE TANK.
 - THE ANGLE BETWEEN THE LIFTING STRAPS/ SLINGS MUST NEVER EXCEED 60°. IF NECESSARY A SPREADER BAR SHOULD BE USED.
 - NEVER LIFT A TANK WITH LIQUID INSIDE.
 - NEVER ROLL, DRAG, OR DROP A TANK.
 - TANK MUST BE SET ON A FLAT SURFACE WITH NO OBSTRUCTIONS BENEATH THE TANK.

- TANK STORAGE NOTES:**
- ALWAYS CHOCK THE TANK WITH SAND BAGS OR TIRES TO PREVENT MOVEMENT.
 - IF HIGH WINDS ARE AN ISSUE TANK SHOULD BE TIED DOWN.
 - COVER ANY OPENINGS ON THE TANK TO PREVENT WATER FROM ENTERING THE TANK.



WARNING



FAILURE TO FOLLOW THESE NOTES CAN RESULT IN DEATH, SERIOUS INJURY, OR DAMAGE TO THE TANK.

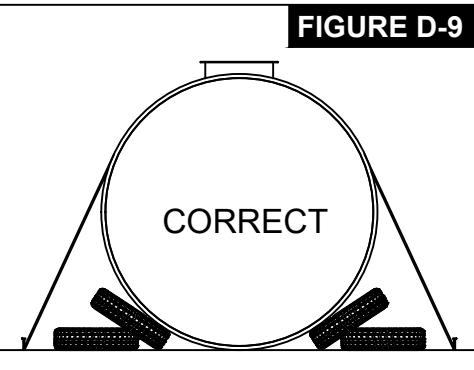


FIGURE D-9

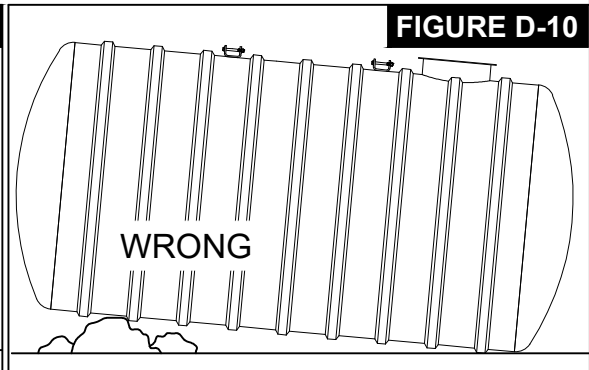


FIGURE D-10

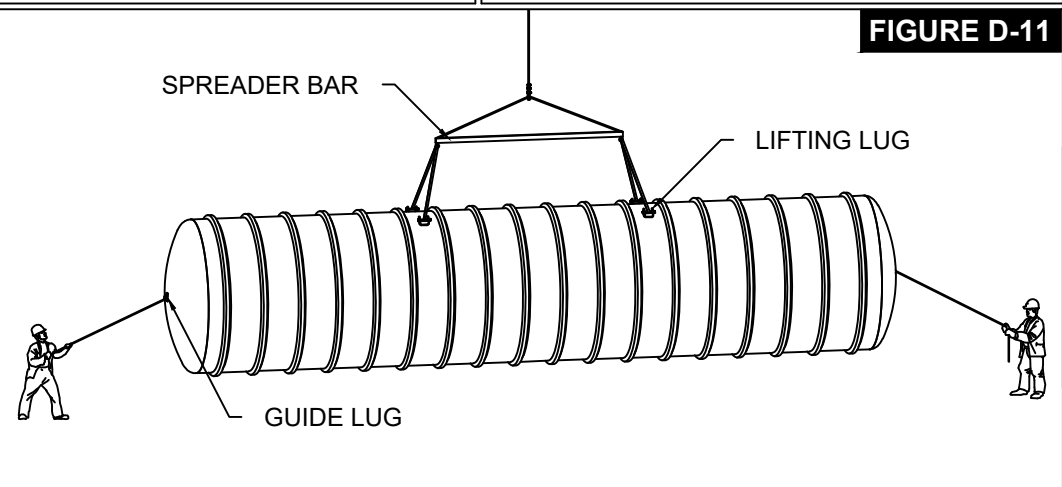
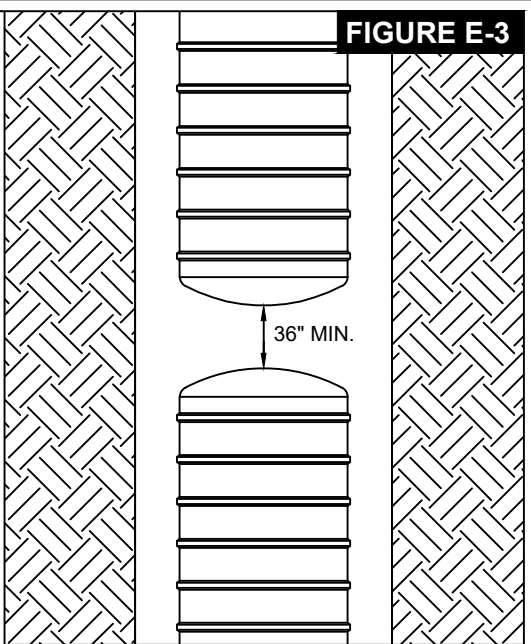
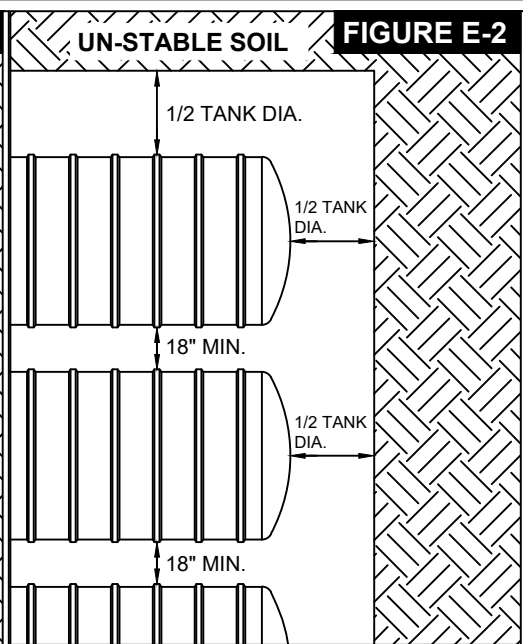
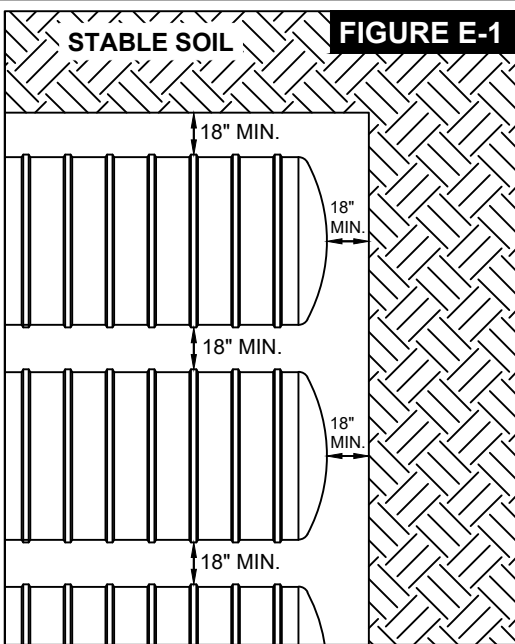
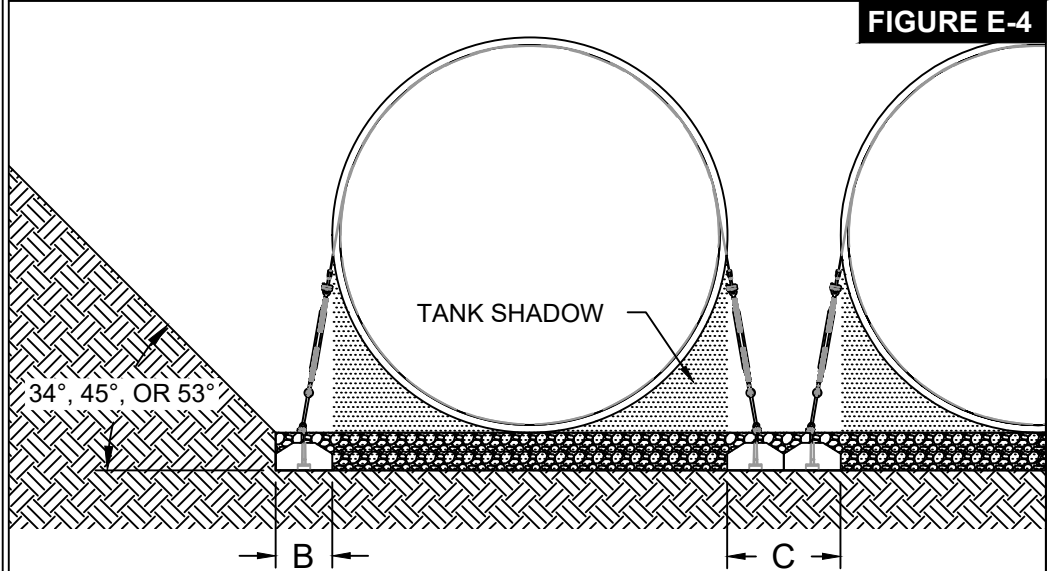
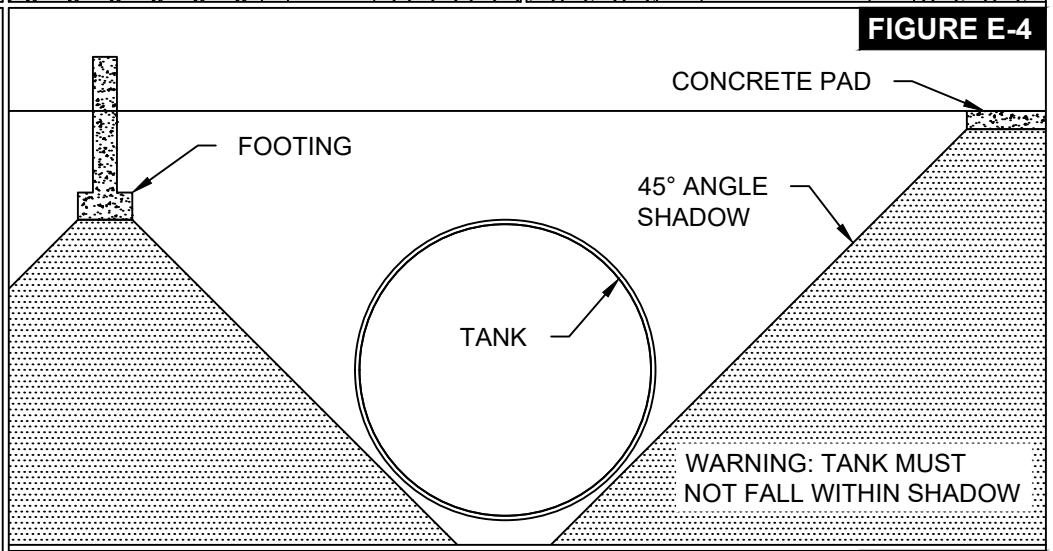


FIGURE D-11



- NOTES:**
- IF TANKANCHOR® ANTI-FLOAT SYSTEM IS USED, SEE PROJECT SPECIFIC DRAWINGS FOR TANK SPACING AND EXCAVATION CLEARANCE.
 - TANKS MUST BE FAR ENOUGH AWAY FROM ANY EXISTING OR FUTURE STRUCTURES TO PREVENT DOWNWARD FORCES ON THE TANK.
 - CONCRETE DEADMEN SHOULD NEVER FALL WITHIN THE TANK SHADOW.



⚠ WARNING ⚠

FOLLOW ALL OSHA REGULATIONS FOR TANK EXCAVATION. IMPROPER TANK PLACEMENT COULD RESULT IN DAMAGE TO THE TANK.

TANK Ø	DIM "B" MIN.	DIM "C" MIN.
4', 5', 6', & 8'	12"	24"
10' & 12'	18"	36"



Installation checklist

- Upon taking delivery of your structure, please review the BOL and packing slip included in the driver's packet and verify that all items are intact and present. It is encouraged to start a photo record of these items and continuing through the entire installation process till completion.
- Fill out the installation checklist and return a copy, along with all pertinent pictures and supporting documents, to both the owner, and the FTS office. These will be added to the job file we have created for your project.
- Failure to properly document the installation of your Fiberglass Tank Solutions product, will possibly void any warranty, direct or implied, to your structure.

Site Owner _____

Installation Date _____

Unit Serial Number _____

Site
Address _____
Street City State Zip

Installing Contractor *(please print)* _____

Company Street City State Zip

PREINSTALLATION

Complete Verified By:

- 1. Product inspected for damage prior to installation as described in IMOG _____ _____

- 2. Back fill material: (Indicate which type)
 - a. Pea Gravel or Crushed Stone as specified by FTS IMOG _____ _____
 - b. Select backfill _____ _____

- 3. Excavation: Hole dimensions are correct per installation instructions
for appropriate conditions. _____ _____

- 4. Geotextile Utilized: _____ _____ _____
 - 1. Pictures documenting installation _____ _____

- 5. Hole Condition: (Indicate one)
 - 1. Dry Hole -Water is not anticipated to reach tank
Area is not subject to flooding _____ _____
 - 2. Wet hole -Excavation may trap water
Area is subject to flooding _____ _____

- 6. Traffic Loads: (Indicate one)
 - 1. Traffic loads anticipated _____ _____
 - 2. No traffic loads anticipated _____ _____

DURING INSTALLATION

- 1. Backfill-material base is level and is a minimum of
 - * 6" inches deep at 85% min/compaction for Wet Wells/ Basins _____ _____
 - * 12" deep at 85% min/compaction for UST's _____ _____

- 2. Visual Inspection: No evidence of damage is found after setting in hole. _____ _____

- | | | |
|--|-------|-------|
| 3. Tank Spacing: Proper spacing between other tanks, load shadows of foundations
or other site-specific restrictions is observed and documented | _____ | _____ |
| 4. Anchoring: The approved method of anchoring has been installed
according to the IMOG and has been <i>and include photo documentation</i> | _____ | _____ |
| 5. Tank is properly ballasted during backfilling <i>and include photo documentation</i> | _____ | _____ |
| 6. Backfill Compacted: Material has been tamped and or compacted to
fill all voids around tank, see IMOG section <i>and include photo documentation</i> | _____ | _____ |
| 7. Tank(s) are buried to proper depth to conform to appropriate conditions:
(wet, dry, traffic or no traffic) in accordance with approved drawings | _____ | _____ |
| 8. All piping connections made with flexible connections | _____ | _____ |

POST INSTALLATION

Complete Verified By:

- | | | |
|---|-------|-------|
| 1. Pressure/VAC (DOUBLE WALL only) is completed according to IMOG
and is documented for warranty | _____ | _____ |
| 2. Hydrostatic Test:(if applicable) is completed according to IMOG
and is documented for warranty | _____ | _____ |
| 3. Internal Diameter Measurement: The internal diameter of the tank is Measured
and is documented for warranty | _____ | _____ |
| 4. Wet Monitoring-Fluid Tanks: (if applicable) | | |
| 1. Set the level of the monitoring fluid after backfilling and
top-slab placement is completed. | _____ | _____ |
| 2. Check and record monitoring-fluid level in the
reservoir. _____ (depth in inches) | _____ | _____ |
| 3. Check for monitoring fluid inside tank | _____ | _____ |

5. Dry Monitoring sensor Tanks: Locate pull string in monitor rib.

Carefully pull the sensor until its located at the bottom of the tank.

Leave pull string attached and inside of the riser pipe

6. Secondary Containment Sump Test: Add water to the containment sump assembly

to check for leaks.

7. Installation Manual: Deliver Installation Manual and Operating Guidelines

with the completed Checklist AND all photo documentation to the owner and FTS

Notes: