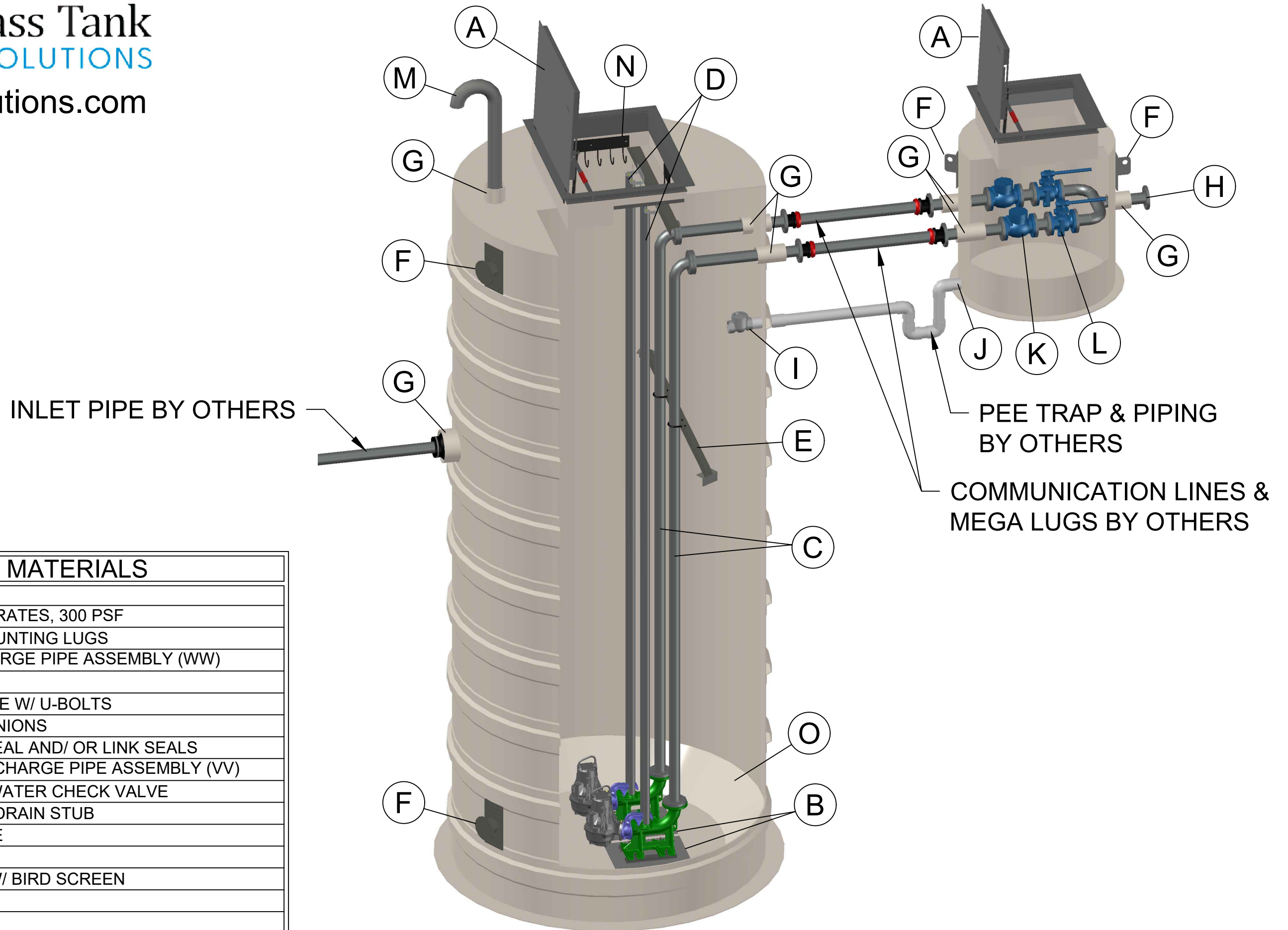


WET WELL WITH VALVE VAULT



BILL OF MATERIALS

| ITEM | DESCRIPTION |
|------|---|
| A | HATCH W/ SAFETY GRATES, 300 PSF |
| B | BASE PLATES W/ MOUNTING LUGS |
| C | HORIZONTAL DISCHARGE PIPE ASSEMBLY (WW) |
| D | GUIDE RAIL SYSTEM |
| E | PIPE SUPPORT BRACE W/ U-BOLTS |
| F | LIFTING LUGS/ TRUNNIONS |
| G | SLEEVE W/ PRESS SEAL AND/ OR LINK SEALS |
| H | 2:1 HORIZONTAL DISCHARGE PIPE ASSEMBLY (VV) |
| I | PIPE STUB W/ BACKWATER CHECK VALVE |
| J | MOUSEHOLE STYLE DRAIN STUB |
| K | SWING CHECK VALVE |
| L | PLUG VALVE |
| M | GOOSENECK VENT W/ BIRD SCREEN |
| N | 6 HOOK BRACKET |
| O | 12" BOTTOM FILLET |