

ITEM DESCRIPTION	QTY	QTY	QTY	QTY	QTY	QTY	QTY	QTY	QTY	UNIT
12" X 12" X 12'-0" DEADMEN	2	2		4	2				2	EA
12" X 12" X 16'-0" DEADMEN			2		2	4			4	EA
12" X 12" X 18'-0" DEADMEN							4			EA
GALVANIZED ANCHOR POINTS	4	4	4	8	8	8	12	12		EA
Ø4' TANKS BY VOLUME	600	1,000	1,500	2,000	2,500	3,000	3,500	4,000		GAL

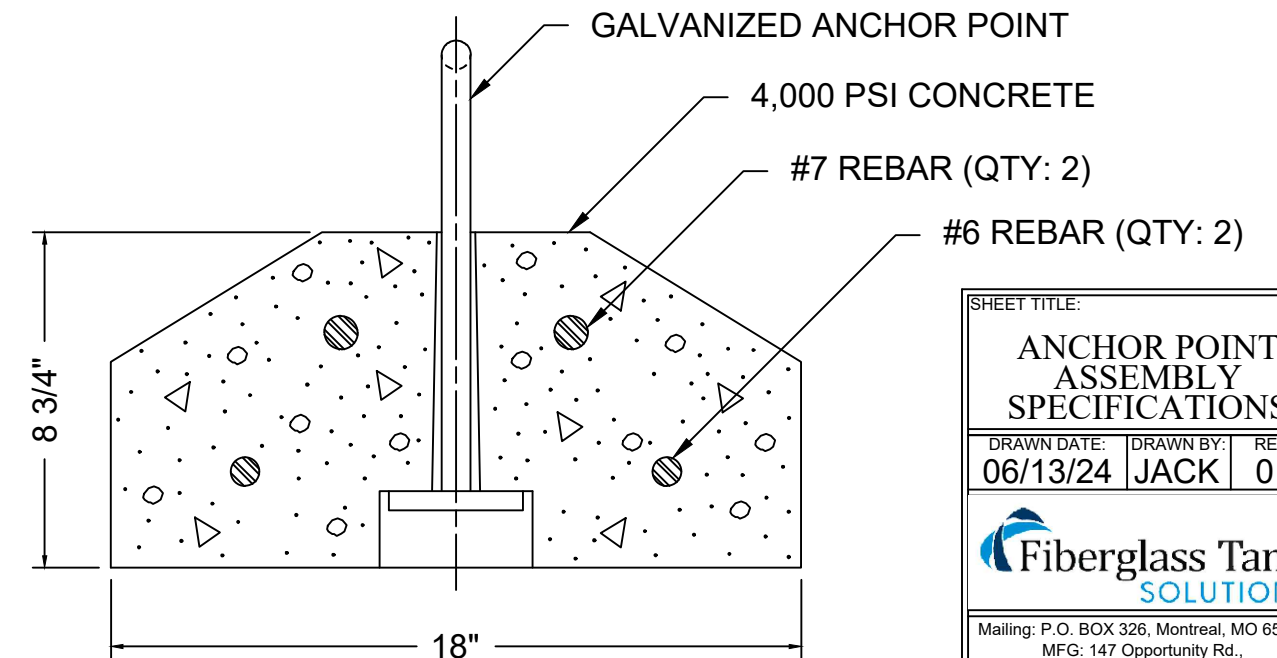
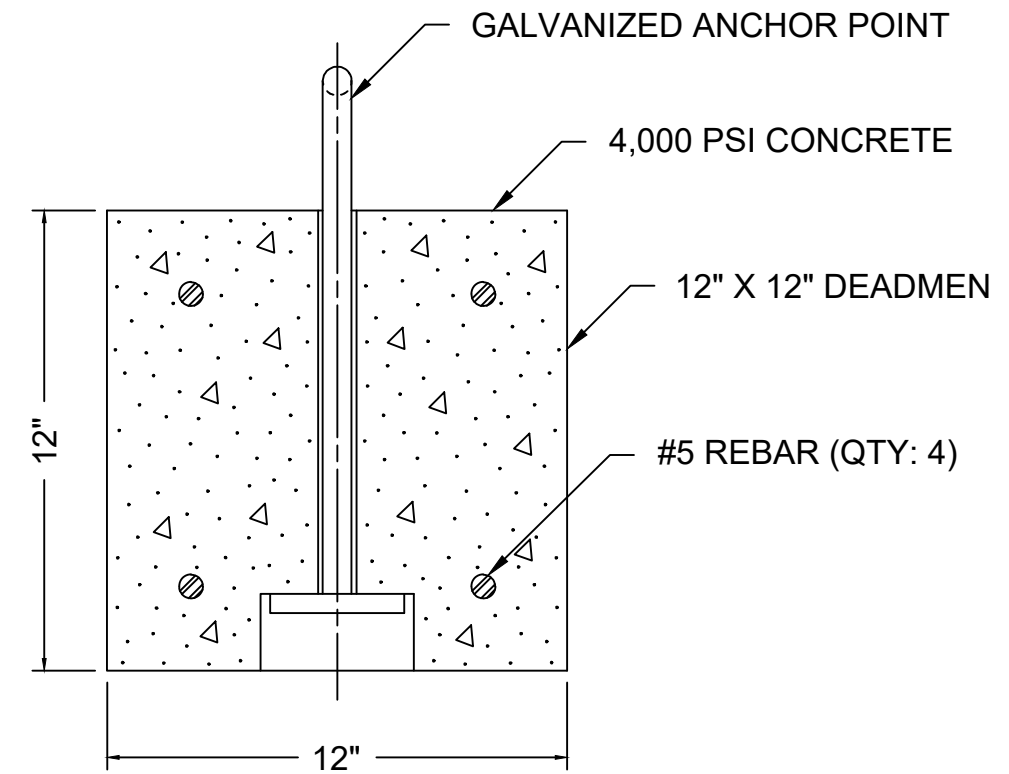
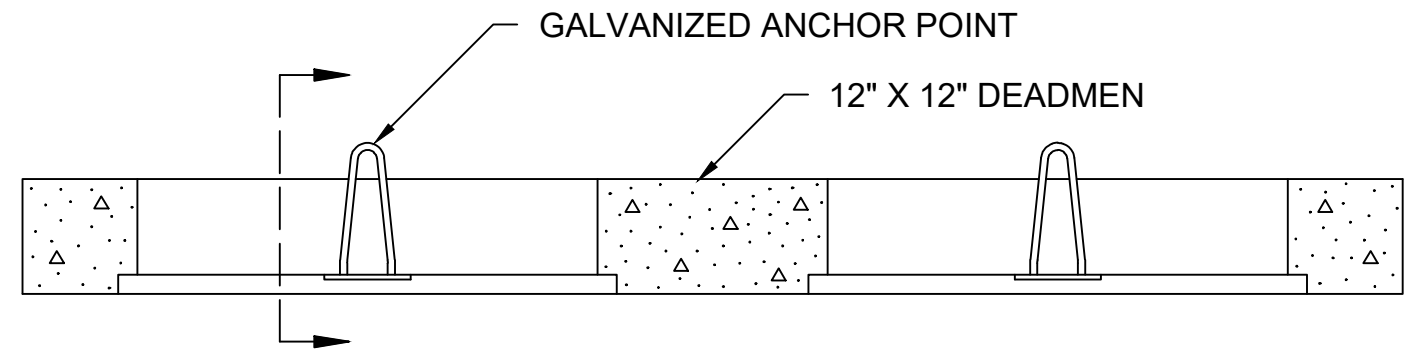
ITEM DESCRIPTION	QTY	QTY	QTY	QTY	QTY	QTY	QTY	QTY	QTY	QTY	QTY	QTY	QTY	QTY	UNIT
12" X 12" X 12'-0" DEADMEN	2			4	4	2			4	2	2			4	EA
12" X 12" X 16'-0" DEADMEN		2				2	4		2	4	4	6		4	EA
12" X 12" X 18'-0" DEADMEN			2					4					6		EA
GALVANIZED ANCHOR POINTS	4	4	4	4	8	8	8	8	12	12	12	12	12	16	EA
Ø5' TANKS BY VOLUME	1,500	2,000	2,500	3,000	3,500	4,000	4,500	5,000	5,500	6,000	6,500	7,000	7,500	8,000	GAL

ITEM DESCRIPTION	QTY	QTY	QTY	QTY	QTY	QTY	QTY	QTY	QTY	QTY	QTY	UNIT
12" X 12" X 12'-0" DEADMEN	2	2	2			4				2		EA
12" X 12" X 16'-0" DEADMEN				2			4			4	4	EA
12" X 12" X 18'-0" DEADMEN					2			4	4		2	EA
GALVANIZED ANCHOR POINTS	4	4	4	4	4	8	8	8	12	12	12	EA
Ø6' TANKS BY VOLUME	1,500	2,000	2,500	3,000	4,000	5,000	6,000	7,000	8,000	9,000	10,000	GAL

ITEM DESCRIPTION	QTY	QTY	QTY	QTY	QTY	QTY	QTY	QTY	QTY	QTY	QTY	QTY	QTY	QTY	QTY	QTY	QTY	QTY	UNIT
12" X 12" X 12'-0" DEADMEN	2	2			4	4	2				4	4	4	2		8	4	4	EA
12" X 12" X 16'-0" DEADMEN			2				2	4	4	4	2	2	2	4	6		4	4	EA
12" X 12" X 18'-0" DEADMEN				2															EA
GALVANIZED ANCHOR POINTS	4	4	4	4	8	8	8	8	8	8	12	12	12	12	12	16	16	16	EA
Ø8' TANKS BY VOLUME	3,000	4,000	5,000	6,000	7,000	8,000	9,000	10,000	11,000	12,000	13,000	14,000	15,000	16,000	17,000	18,000	19,000	20,000	GAL

ITEM DESCRIPTION	QTY	QTY	QTY	QTY	QTY	QTY	QTY	QTY	QTY	QTY	QTY	QTY	QTY	QTY	QTY	QTY	QTY	QTY	UNIT
8 3/4" X 18" X 14'-0" DEADMEN							4	4	4			4							EA
8 3/4" X 18" X 18'-0" DEADMEN	2	2	2							4	4		2	6	2	8	4		EA
8 3/4" X 18" X 22'-0" DEADMEN				2	2	2						4			4		4	8	EA
GALVANIZED ANCHOR POINTS	8	8	8	8	8	8	8	8	8	8	12	12	16	16	20	24	28	32	EA
Ø10' TANKS BY VOLUME	7,000	8,000	9,000	10,000	11,000	12,000	13,000	14,000	15,000	18,000	20,000	22,000	25,000	30,000	35,000	40,000	45,000	50,000	GAL

ITEM DESCRIPTION	QTY	QTY	QTY	QTY	QTY	QTY	QTY	QTY	QTY	UNIT
8 3/4" X 18" X 14'-0" DEADMEN	4				4			4		EA
8 3/4" X 18" X 18'-0" DEADMEN		4	2			4			4	EA
8 3/4" X 18" X 22'-0" DEADMEN			2	4	2	2	6	4	4	EA
GALVANIZED ANCHOR POINTS	16	16	20	24	24	28	36	40	40	EA
Ø12' TANKS BY VOLUME	20,000	25,000	30,000	35,000	40,000	45,000	50,000	55,000	60,000	GAL



SHEET TITLE:
ANCHOR POINT ASSEMBLY SPECIFICATIONS

DRAWN DATE: 06/13/24 DRAWN BY: JACK REV: 01

Fiberglass Tank SOLUTIONS

Mailing: P.O. BOX 326, Montreal, MO 65591
MFG: 147 Opportunity Rd.,
Camdenton, MO 65020
P: 573-317-9620