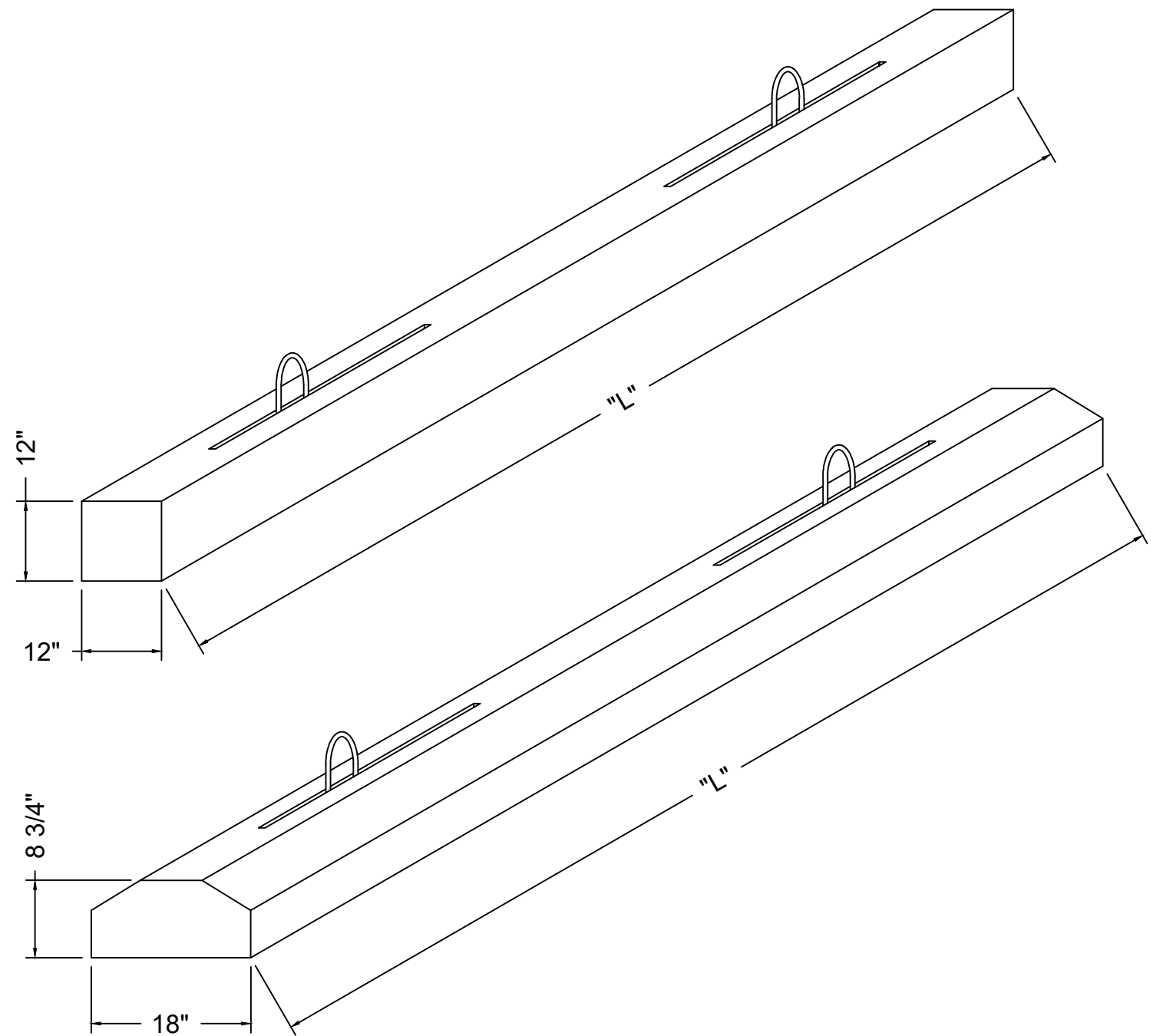


FTS DEADMEN			
TANK SIZE (GALLONS)	QTY	"L"	APPROXIMATE WEIGHT EACH
Ø4' X 600	2	12'	1,800 LBS
Ø4' X 1,000	2	12'	1,800 LBS
Ø4' X 1,500	2	16'	2,400 LBS
Ø4' X 2,000	4	12'	1,800 LBS
Ø4' X 2,500	2	12'	1,800 LBS
	2	16'	2,400 LBS
Ø4' X 3,000	4	16'	2,400 LBS
Ø4' X 3,500	4	18'	2,700 LBS
Ø4' X 4,000	2	12'	1,800 LBS
	4	16'	2,400 LBS
Ø5' X 1,500	2	12'	1,800 LBS
Ø5' X 2,000	2	16'	2,400 LBS
Ø5' X 2,500	2	18'	2,700 LBS
Ø5' X 3,000	4	12'	1,800 LBS
Ø5' X 3,500	4	12'	1,800 LBS
Ø5' X 4,000	2	12'	1,800 LBS
	2	16'	2,400 LBS
Ø5' X 4,500	4	16'	2,400 LBS
Ø5' X 5,000	4	18'	2,700 LBS
Ø5' X 5,500	4	12'	1,800 LBS
	2	16'	2,400 LBS
Ø5' X 6,000	2	12'	1,800 LBS
	4	16'	2,400 LBS
Ø5' X 6,500	2	12'	1,800 LBS
	4	16'	2,400 LBS
Ø5' X 7,500	6	18'	2,700 LBS
Ø5' X 8,000	4	12'	1,800 LBS
	4	16'	2,400 LBS
Ø6' X 1,500	2	12'	1,800 LBS
Ø6' X 2,000	2	12'	1,800 LBS
Ø6' X 2,500	2	12'	1,800 LBS
Ø6' X 3,000	2	16'	2,400 LBS
Ø6' X 4,000	2	18'	2,700 LBS
Ø6' X 5,000	4	12'	1,800 LBS
Ø6' X 6,000	4	16'	2,400 LBS
Ø6' X 7,000	4	18'	2,700 LBS
Ø6' X 8,000	4	18'	2,700 LBS
Ø6' X 9,000	2	12'	1,800 LBS
	4	16'	2,400 LBS
Ø6' X 10,000	4	16'	2,400 LBS
	2	18'	2,700 LBS
Ø8' X 3,000	2	12'	1,800 LBS
Ø8' X 4,000	2	12'	1,800 LBS
Ø8' X 5,000	2	16'	2,400 LBS
Ø8' X 6,000	2	18'	2,700 LBS
Ø8' X 7,000	4	12'	1,800 LBS
Ø8' X 8,000	4	12'	1,800 LBS
Ø8' X 9,000	2	12'	1,800 LBS
	2	16'	2,400 LBS
Ø8' X 10,000	4	16'	2,400 LBS
Ø8' X 11,000	4	16'	2,400 LBS

FTS DEADMEN			
TANK SIZE (GALLONS)	QTY	"L"	APPROXIMATE WEIGHT EACH
Ø8' X 12,000	4	16'	2,400 LBS
Ø8' X 13,000	4	12'	1,800 LBS
	2	16'	2,400 LBS
Ø8' X 14,000	4	12'	1,800 LBS
	2	16'	2,400 LBS
Ø8' X 15,000	4	12'	1,800 LBS
	2	16'	2,400 LBS
Ø8' X 16,000	2	12'	1,800 LBS
	4	16'	2,400 LBS
Ø8' X 17,000	6	16'	2,400 LBS
Ø8' X 18,000	8	12'	1,800 LBS
Ø8' X 19,000	4	12'	1,800 LBS
	4	16'	2,400 LBS
Ø8' X 20,000	4	12'	1,800 LBS
	4	16'	2,400 LBS
Ø10' X 7,000	2	18'	2,400 LBS
Ø10' X 8,000	2	18'	2,400 LBS
Ø10' X 9,000	2	18'	2,400 LBS
Ø10' X 10,000	2	22'	3,000 LBS
Ø10' X 11,000	2	22'	3,000 LBS
Ø10' X 12,000	2	22'	3,000 LBS
Ø10' X 13,000	4	14'	1,900 LBS
Ø10' X 14,000	4	14'	1,900 LBS
Ø10' X 15,000	4	14'	1,900 LBS
Ø10' X 18,000	4	18'	2,400 LBS
Ø10' X 20,000	4	18'	2,400 LBS
Ø10' X 22,000	4	22'	3,000 LBS
Ø10' X 25,000	4	14'	1,900 LBS
	2	18'	2,400 LBS
Ø10' X 30,000	6	18'	2,400 LBS
Ø10' X 35,000	2	18'	2,400 LBS
Ø10' X 40,000	4	22'	3,000 LBS
	8	18'	2,400 LBS
Ø10' X 45,000	4	18'	2,400 LBS
	4	22'	3,000 LBS
Ø10' X 50,000	8	22'	3,000 LBS
Ø12' X 20,000	4	14'	1,900 LBS
Ø12' X 25,000	4	18'	2,400 LBS
Ø12' X 30,000	2	18'	2,400 LBS
	2	22'	3,000 LBS
Ø12' X 35,000	4	22'	3,000 LBS
Ø12' X 40,000	4	14'	1,900 LBS
	2	22'	3,000 LBS
Ø12' X 45,000	4	18'	2,400 LBS
	2	22'	3,000 LBS
Ø12' X 50,000	6	22'	3,000 LBS
Ø12' X 55,000	4	14'	1,900 LBS
	4	22'	3,000 LBS
Ø12' X 60,000	4	18'	2,400 LBS
	4	22'	3,000 LBS



### FIBERGLASS TANK SOLUTIONS PRECAST DEADMEN

- FTS DEADMEN ARE ENGINEERED AND DESIGNED TO BE USED WITH FTS TANKS.
- IN MULTIPLE TANK INSTALLATIONS EACH TANK REQUIRES ITS OWN SET OF DEADMEN
- FOR CAST IN PLACE OR DEADMEN CONSTRUCTED OFF SITE, REFER TO FTS INSTALLATION MANUAL AND OPERATING GUIDELINES FOR PROPER SIZING AND ANCHOR POINT SPECIFICATIONS.

SHEET TITLE:		
PRECAST DEADMEN SPECIFICATIONS		
DRAWN DATE:	DRAWN BY:	REV.
06/13/24	JACK	01
Mailing: P.O. BOX 326, Montreal, MO 65591 MFG: 436 S. State Hwy 7 Camdenton, MO 65020 P: 573-317-9620		